

6

5

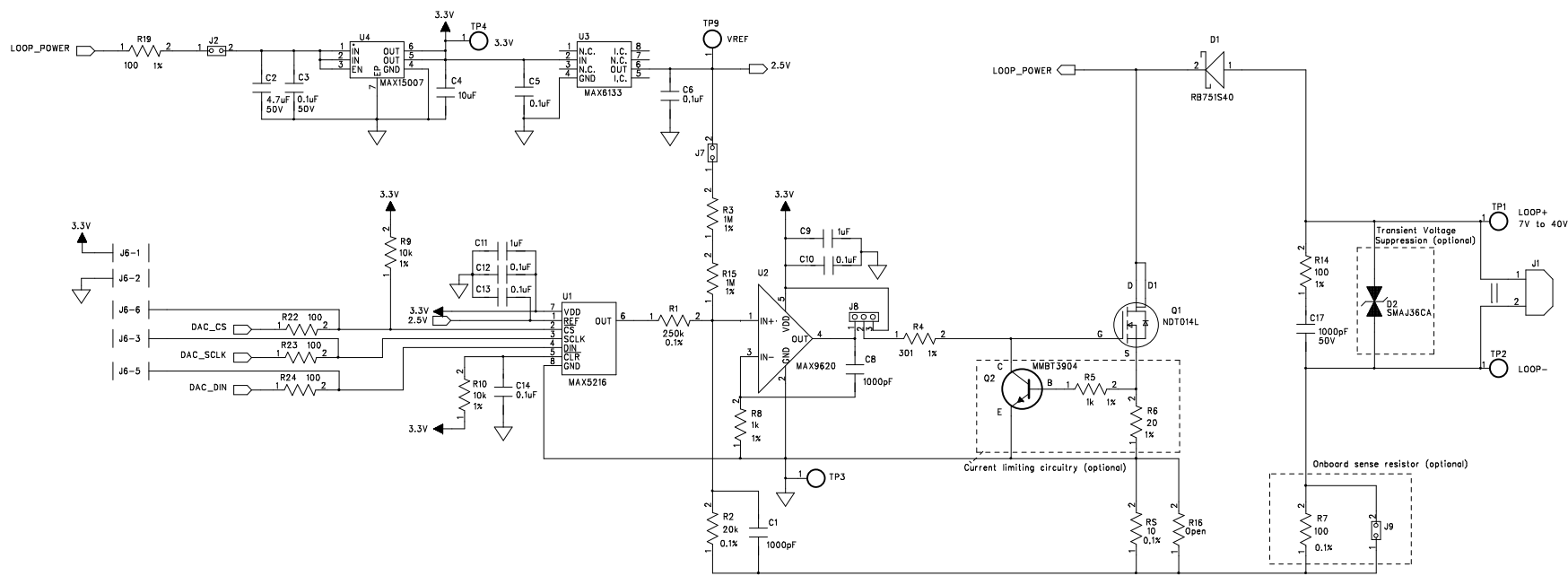
4

3

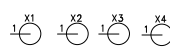
2

1

REVISION RECORD			
LTR	ECO NO:	APPROVED:	DATE:



Warning! VGND should not be shorted to LOOP- by any means including PC, meters, probes, etc. It is recommended to use the power supply with floating outputs. VGND stands for Virtual Ground



COMPANY:		MAXIM INTEGRATED		
TITLE:		MONTEREY (MAXREFDES15#) 4-20mA Loop-Powered RTD Transmitter		
DRAWN:	DATED:	CODE:	SIZE:	DRAWING NO:
CHECKED:	DATED:			REV: A
QUALITY CONTROL:	DATED:			
RELEASED:	DATED:			
SCALE:		SHEET: 1 OF 2		

6

5

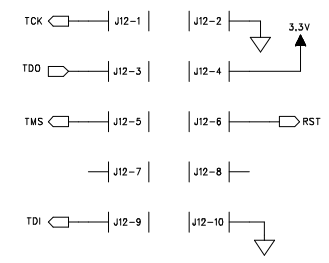
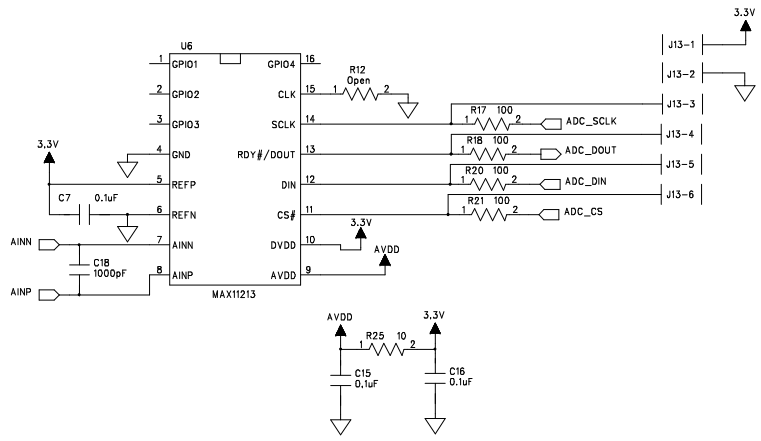
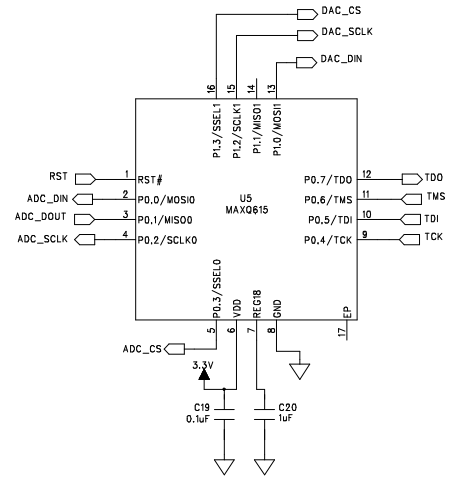
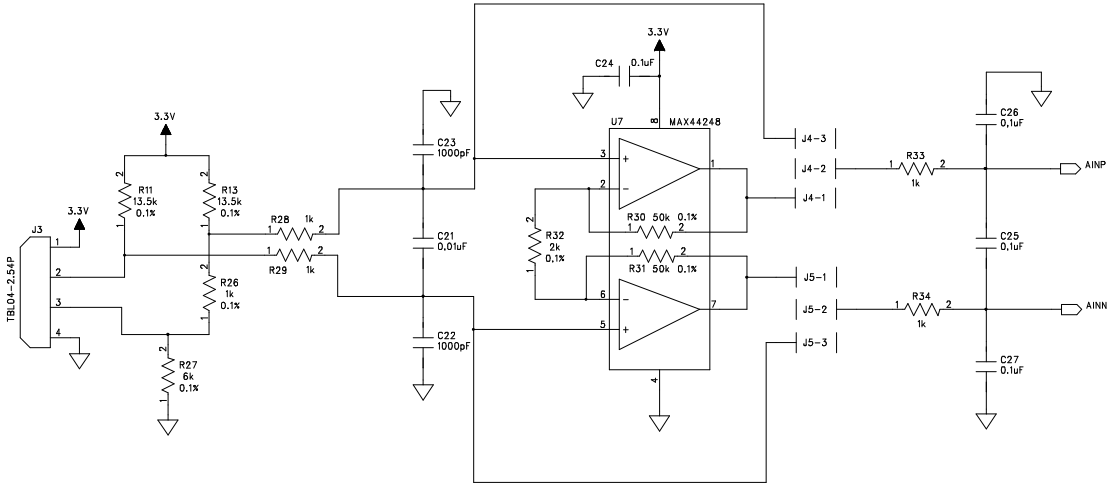
4

3

2

1

REVISION RECORD			
LTR	ECO NO:	APPROVED:	DATE:



COMPANY: MAXIM INTEGRATED		CODE:		SIZE:	DRAWING NO:	REV:
TITLE: MONTEREY (MAXREFDES15#) 4-20mA Loop-Powered RTD Transmitter		SCALE:		SHEET: 2 OF 2		

DRAWN:	DATED:
CHECKED:	DATED:
QUALITY CONTROL:	DATED:
RELEASED:	DATED:

D

C

B

A

D

C

B

A