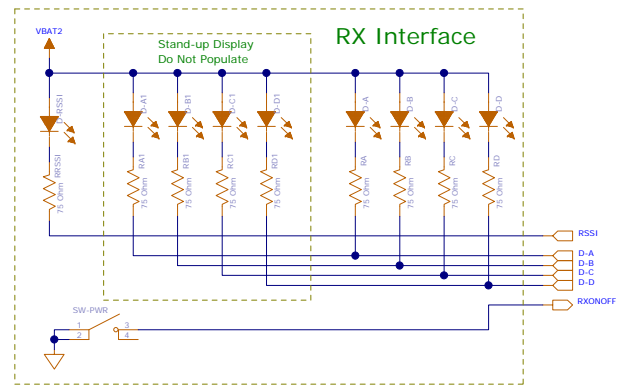
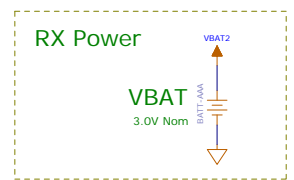
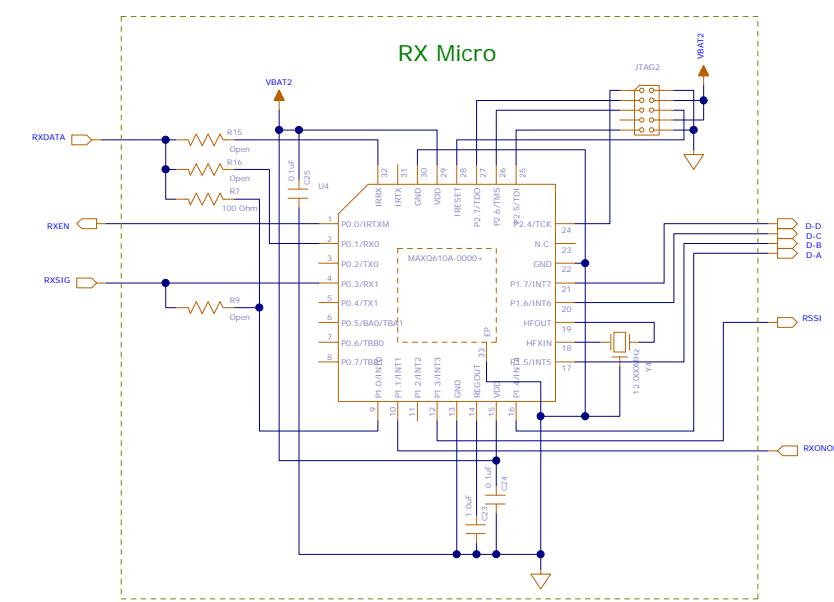
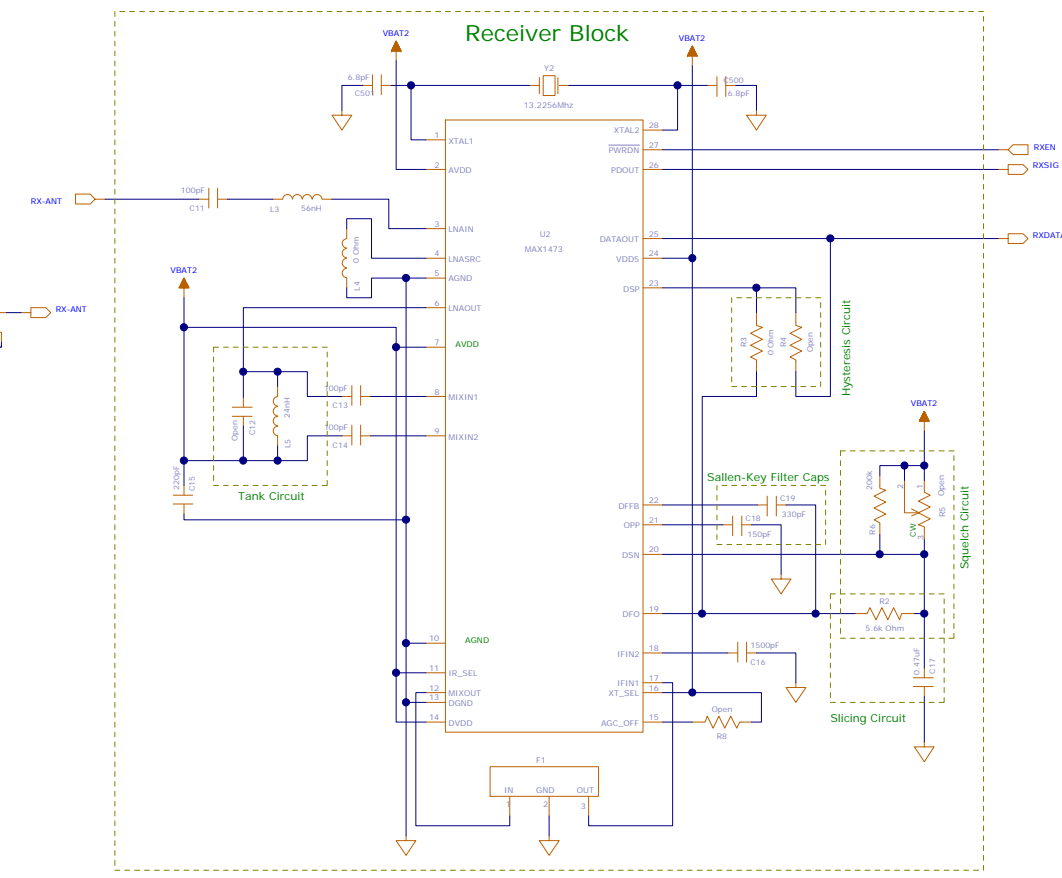
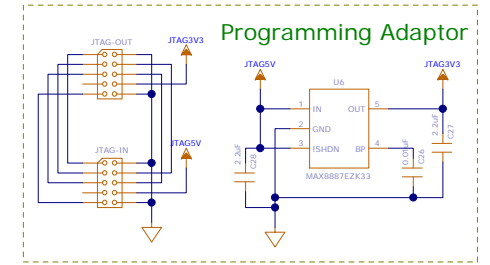
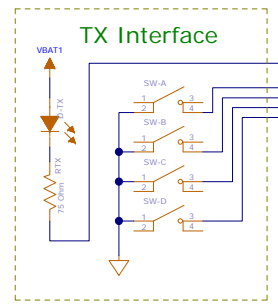
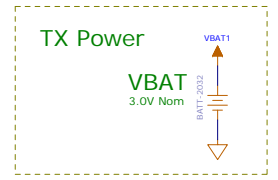
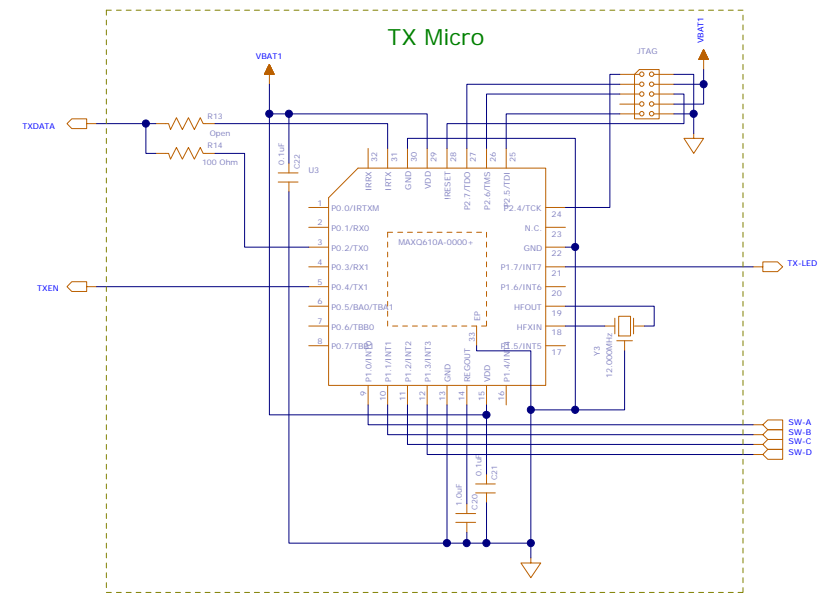
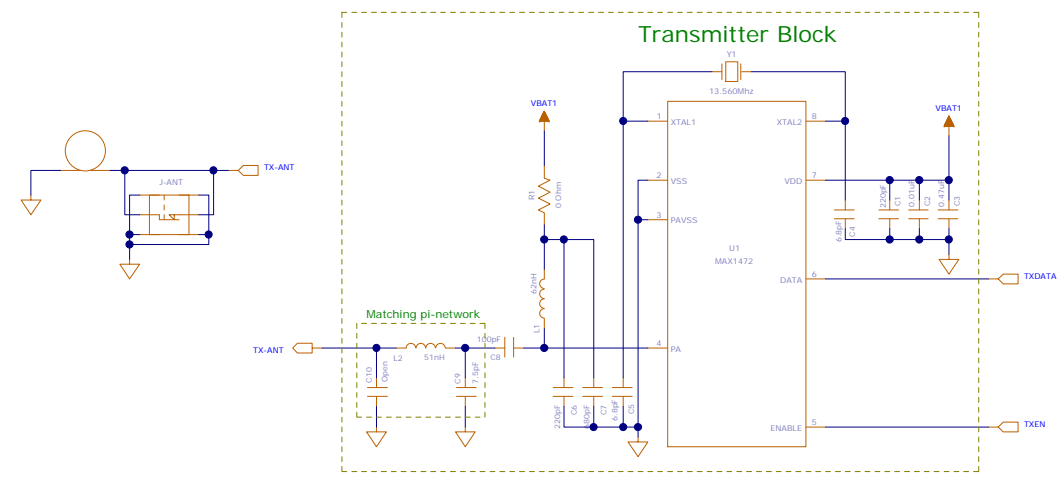


| REVISION RECORD |         |           |       |
|-----------------|---------|-----------|-------|
| LTR             | ECO NO. | APPROVED: | DATE: |
|                 |         |           |       |
|                 |         |           |       |
|                 |         |           |       |



COMPANY: **MAXIM**  
Maxim Integrated Products Inc

TITLE: **MAX ISM-RM Ref Des 001**

|                         |                  |
|-------------------------|------------------|
| DRAWN: Martin D. Stoehr | DATED: 25 Aug 10 |
| CHECKED:                | DATED:           |
| QUALITY CONTROL:        | DATED:           |
| RELEASED:               | DATED:           |

|        |         |              |           |
|--------|---------|--------------|-----------|
| CODE:  | SIZE: D | DRAWING NO.: | REV: C    |
| SCALE: |         |              | SHEET: OF |