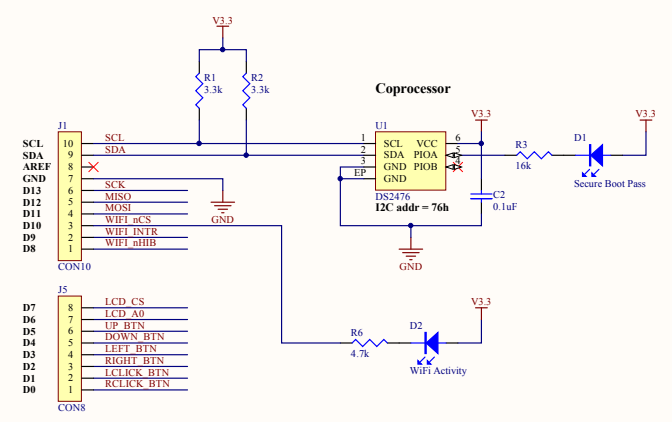
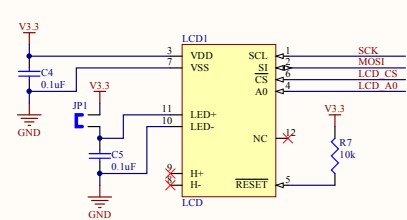


### Shield Connector

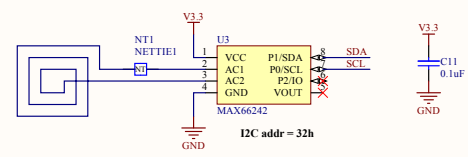
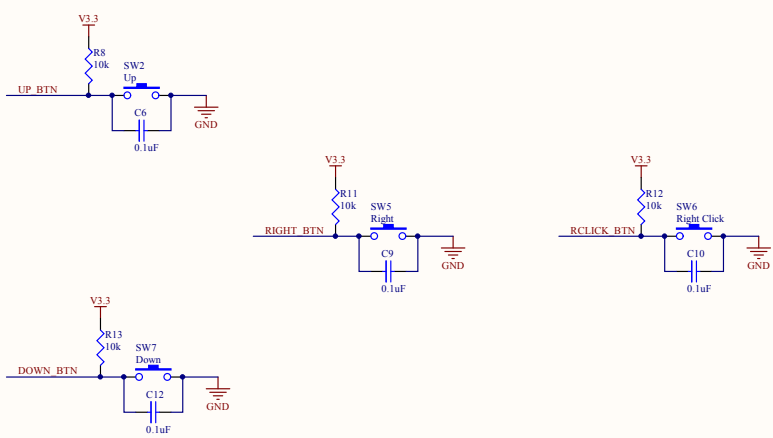
Arduino R3



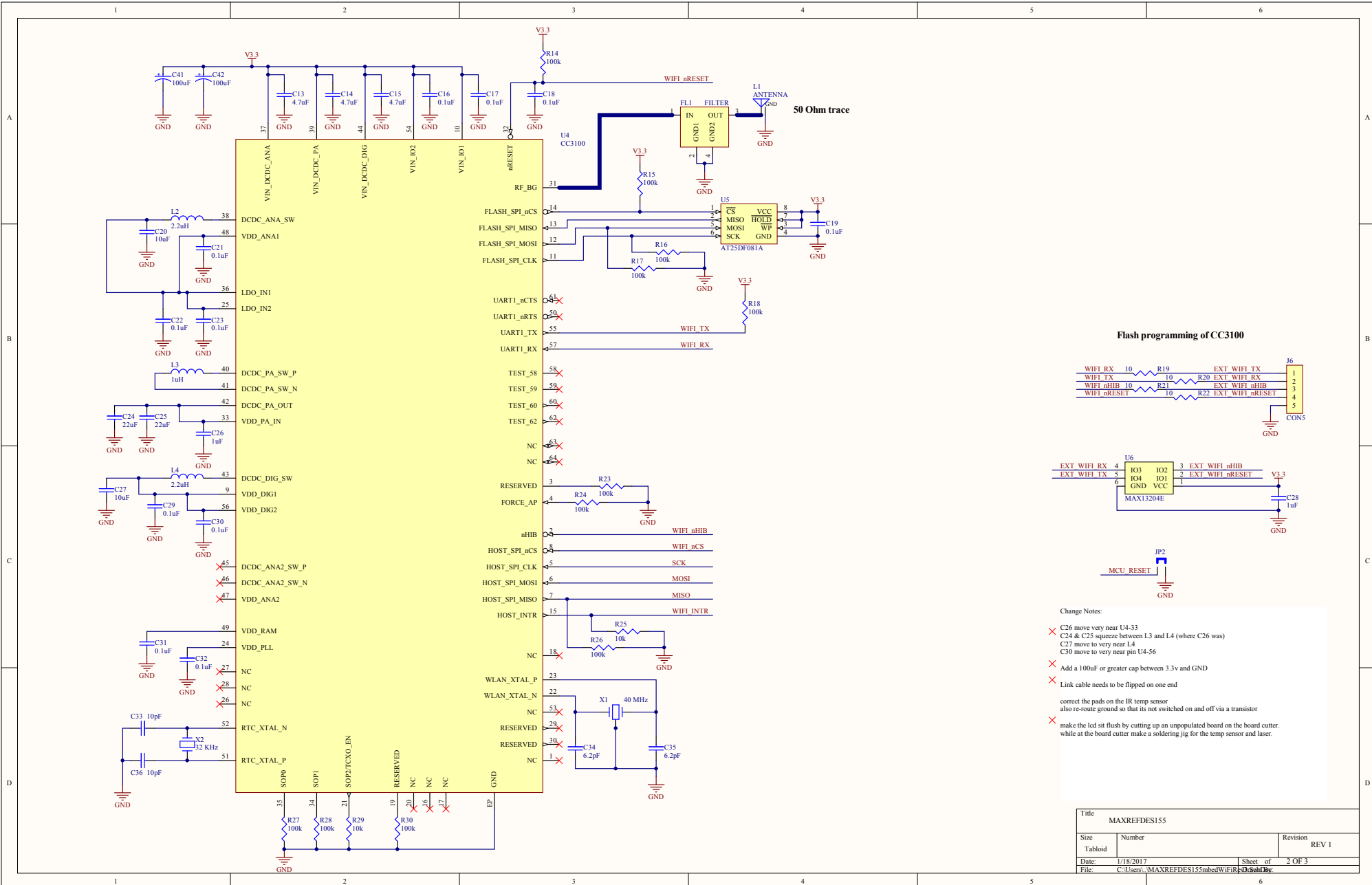
### LCD Display



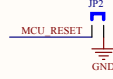
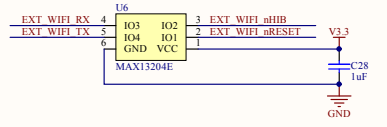
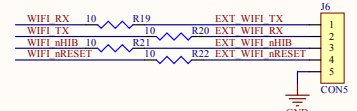
### Keypad



Title MAXREFDES155		
Size Tabloid	Number	Revision REV 1
Date: 1/18/2017	Sheet 1	OF 3
File: C:\Users\MAXREFDES155\mbcd\Shield\155mbcd.dwg		



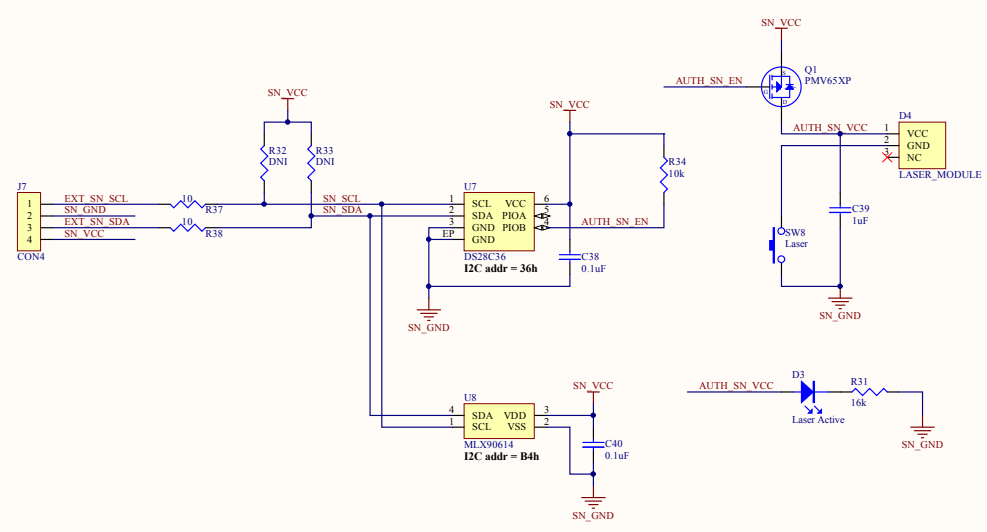
**Flash programming of CC3100**



- Change Notes:
- ✗ C26 move very near U4-33
  - ✗ C24 & C25 squeeze between L3 and L4 (where C26 was)
  - ✗ C27 move to very near L4
  - ✗ C30 move to very near pin U4-56
  - ✗ Add a 100nF or greater cap between 3.3v and GND
  - ✗ Link cable needs to be flipped on one end
  - ✗ correct the pads on the IR temp sensor also re-route ground so that its not switched on and off via a transistor
  - ✗ make the Icd sit flush by cutting up an unpopulated board on the board cutter. while at the board cutter make a soldering jig for the temp sensor and laser.

Title MAXREFDES155		
Size Tabloid	Number	Revision REV 1
Date: 1/18/2017	Sheet of 2 OF 3	
File: C:\Users\...MAXREFDES155mbedWiFiR... -02.schdoc		

### Remote Temperature Aiming Laser



Title			MAXREFDES155		
Size	Number	Revision			
Tabloid		REV 1			
Date:	1/18/2017	Sheet of	3 OF 3		
File:	C:\Users\MAXREFDES155\SensorNode1\MAXREFDES155_SensorNode1.Dwg				