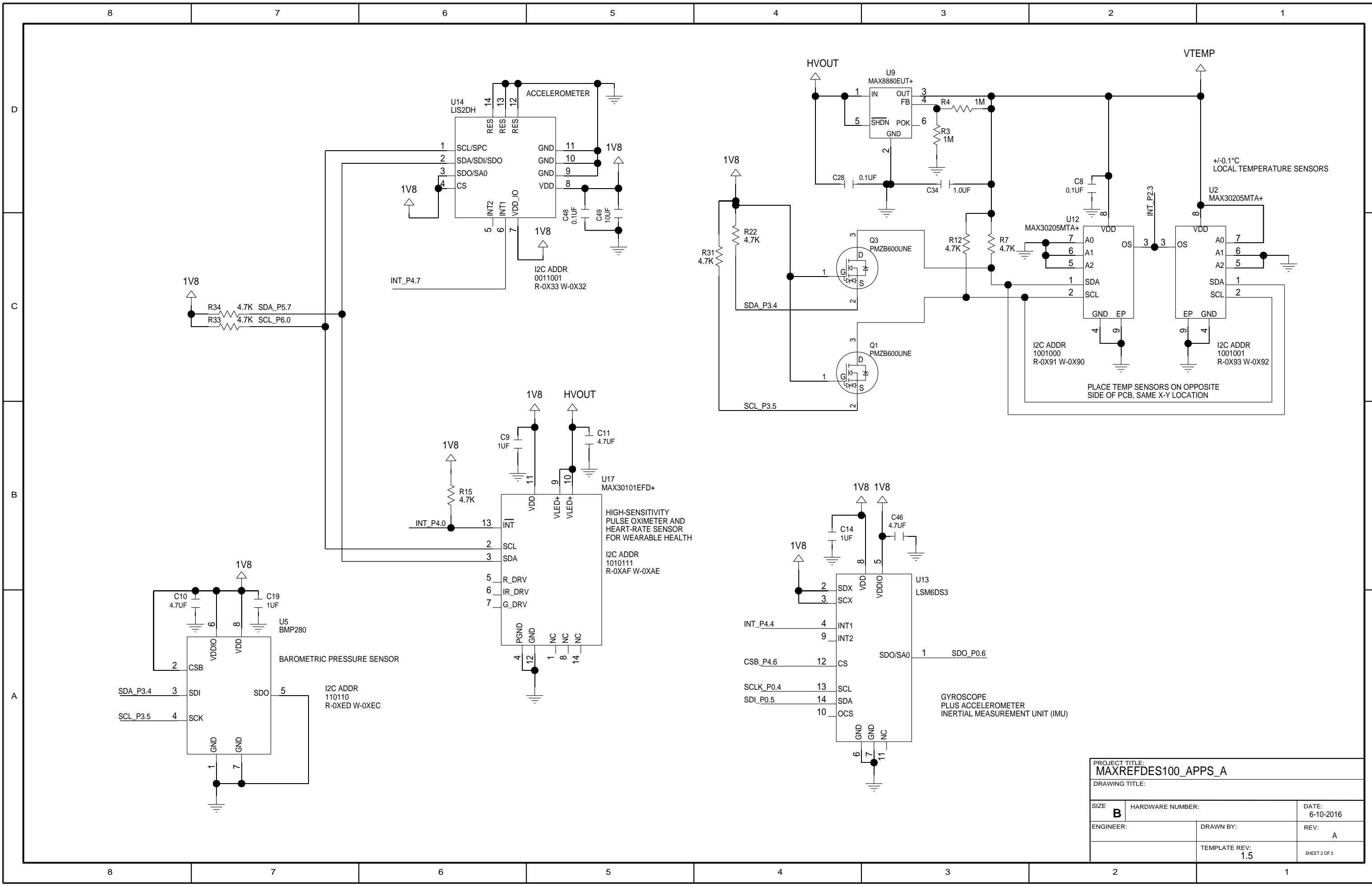
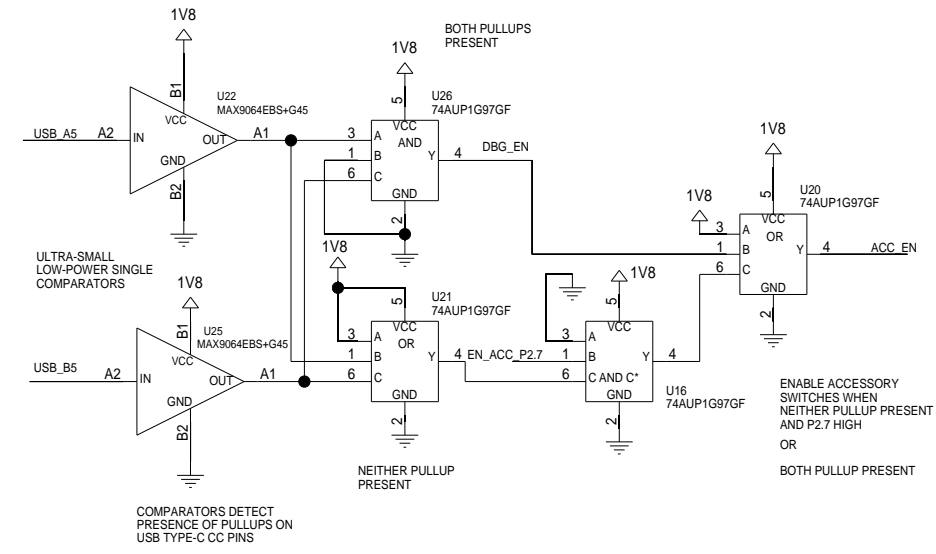
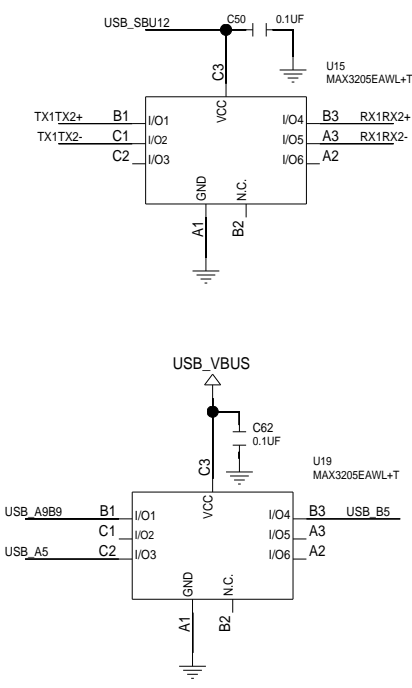
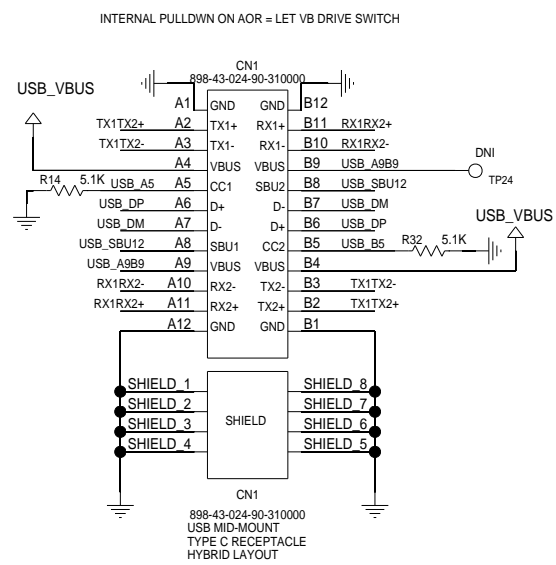
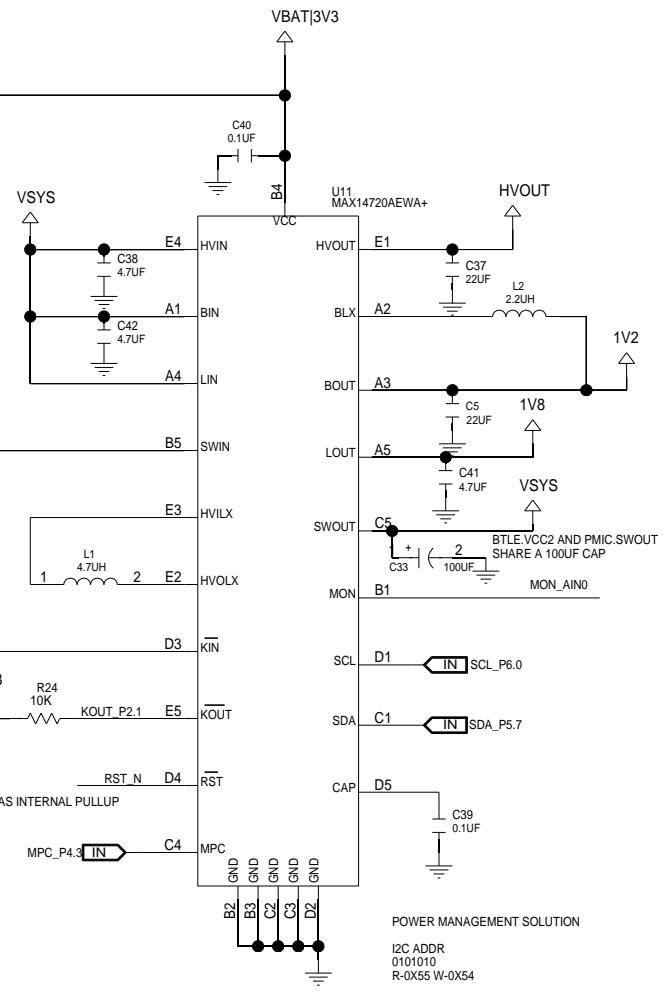
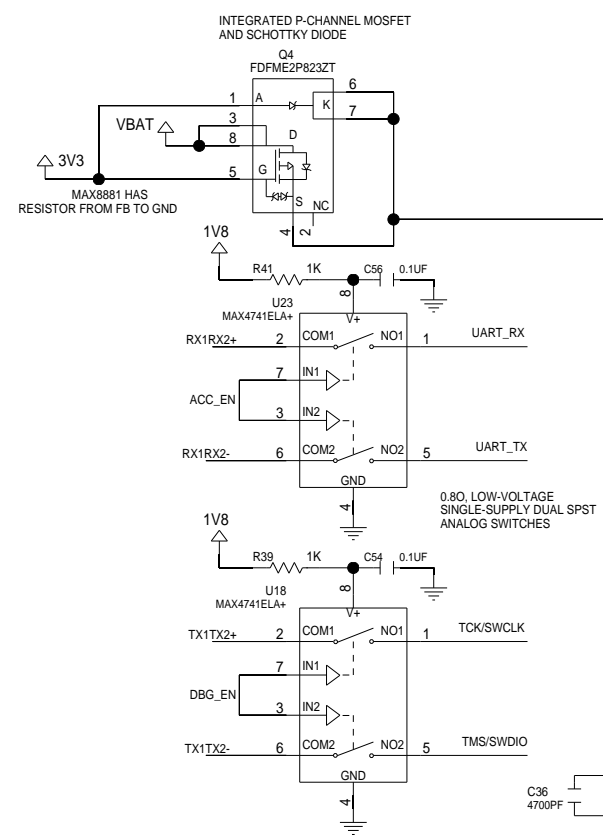
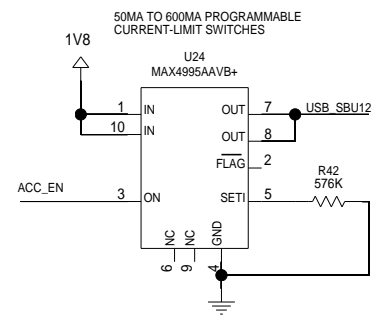
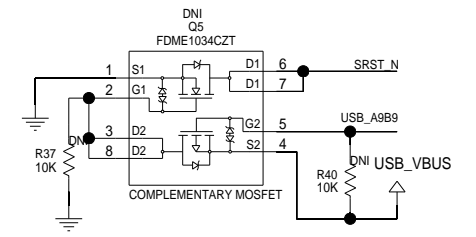
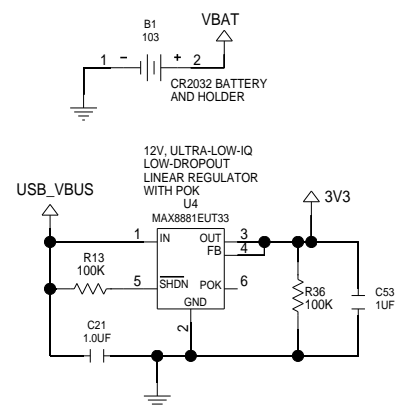


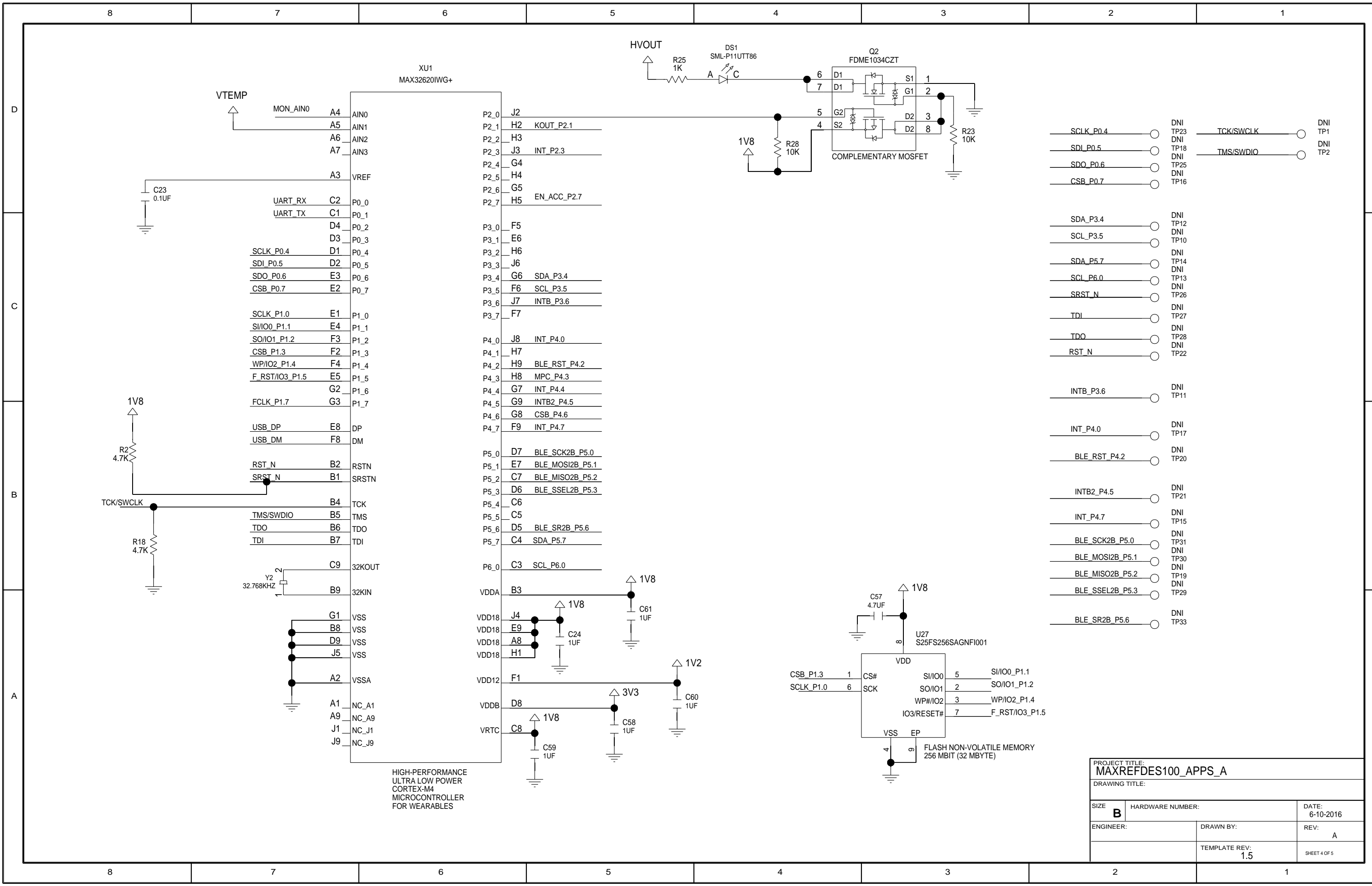
PROJECT TITLE:			MAXREFDES100_APPS_A		
DRAWING TITLE:					
SIZE	HARDWARE NUMBER:		DATE:		6-10-2016
B			REV:		A
ENGINEER:	DRAWN BY:		TEMPLATE REV:		1.5
					SHEET 1 OF 5



PROJECT TITLE: MAXREFDES100_APPS_A		
DRAWING TITLE:		
SIZE B	HARDWARE NUMBER:	DATE: 6-10-2016
ENGINEER:	DRAWN BY:	REV: A
	TEMPLATE REV: 1.5	SHEET 2 OF 5



PROJECT TITLE:		
MAXREFDES100_APPS_A		
DRAWING TITLE:		
SIZE:	HARDWARE NUMBER:	DATE:
C		6-10-2016
ENGINEER:	DRAWN BY:	REV.:
		A
	TEMPLATE REV.:	SHEET 3 OF 5
	1.5	



HIGH-PERFORMANCE
ULTRA LOW POWER
CORTEX-M4
MICROCONTROLLER
FOR WEARABLES

PROJECT TITLE: MAXREFDES100_APPS_A		
DRAWING TITLE:		
SIZE B	HARDWARE NUMBER:	DATE: 6-10-2016
ENGINEER:	DRAWN BY:	REV: A
TEMPLATE REV: 1.5		SHEET 4 OF 5

