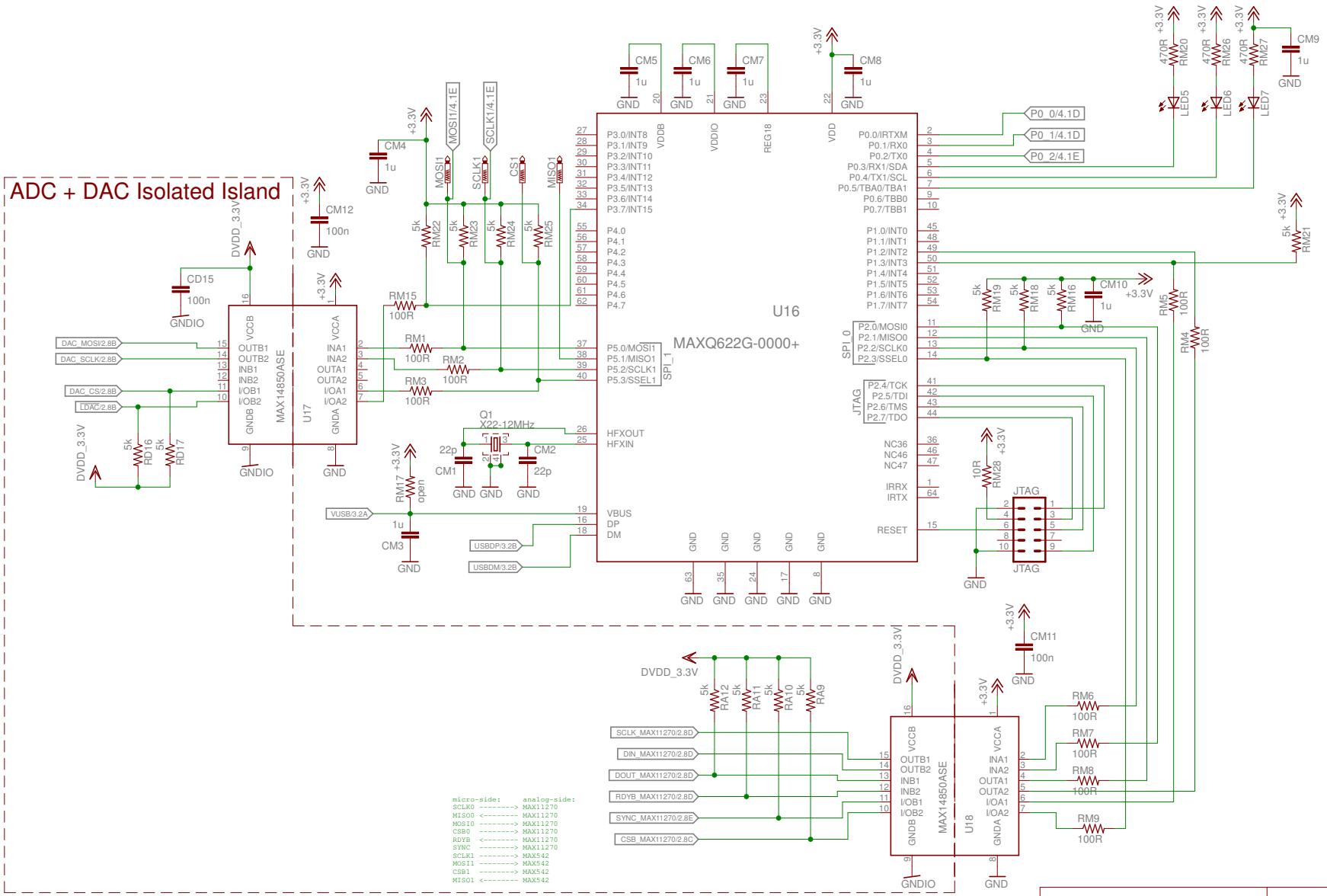


MAXREFDES75#
Digital circuit

ADC + DAC Isolated Island

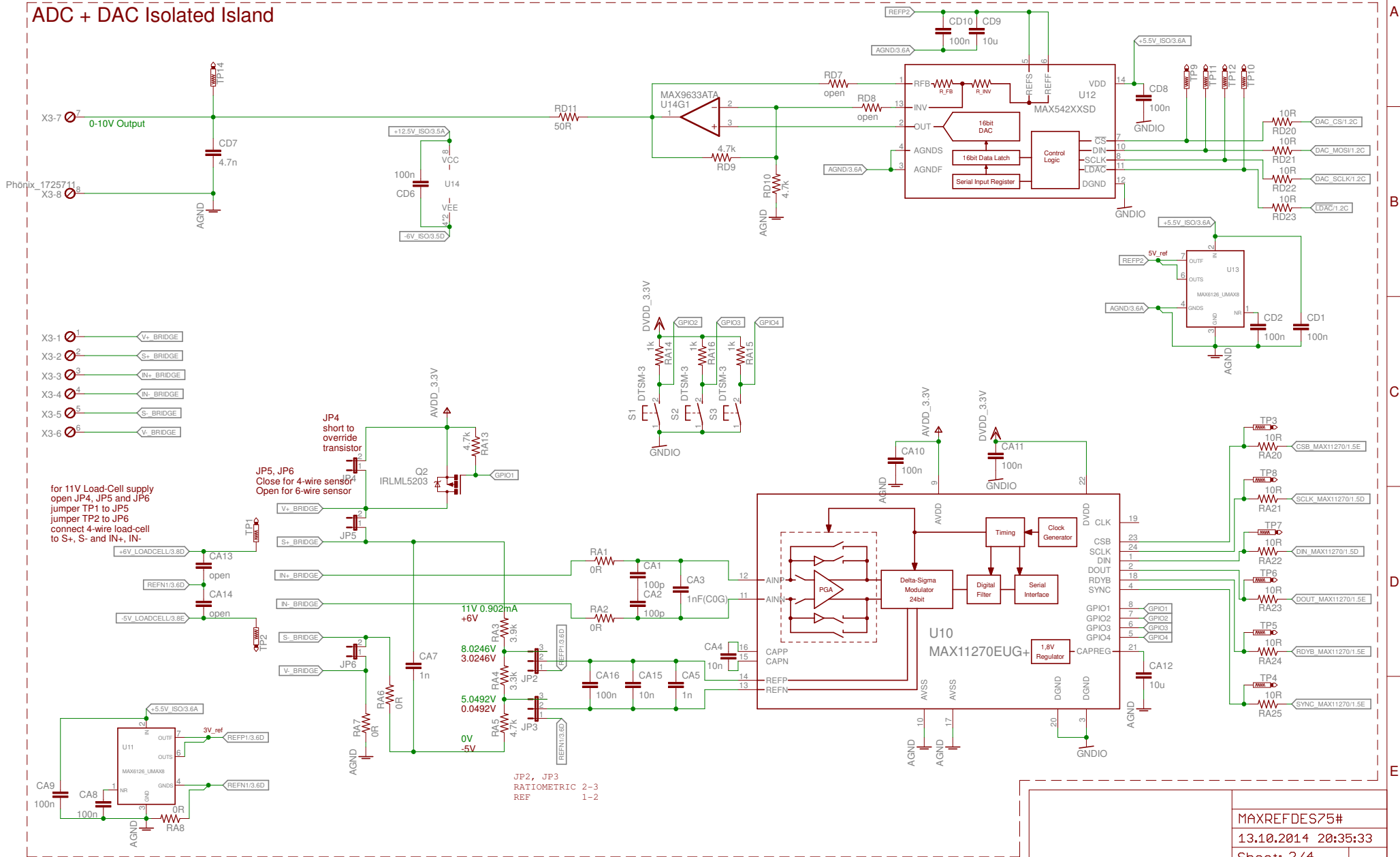


micro-side: analog-side:
 SCLK0 <-----> MAX11270
 MISO0 <-----> MAX11270
 MOSI0 <-----> MAX11270
 CSB0 <-----> MAX11270
 RDB0 <-----> MAX11270
 SYNC <-----> MAX11270
 SCLK1 <-----> MAX542
 MISO1 <-----> MAX542
 CSB1 <-----> MAX542
 MISO1 <-----> MAX542

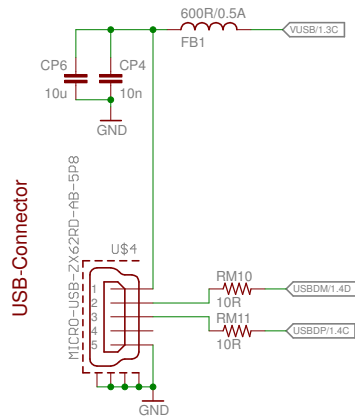
Some LEDs for debugging and show some status

MAXREFDES75#
Analog circuit

ADC + DAC Isolated Island

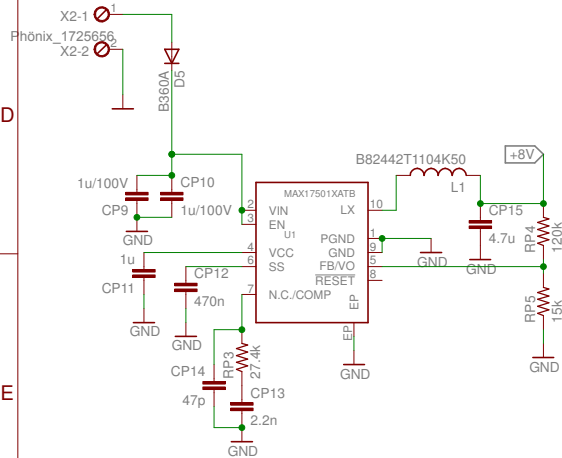


MAXREFDES75# Power-Supply

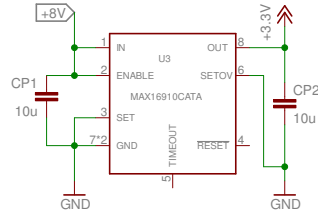


- Naming:
 - RPA, CPA -> Parts for analog-power
 - RP, CP -> Parts for digital-power
 - RM, CM -> Parts for microcontroller
 - RA, CA -> Parts for ADC circuit
 - RD, CD -> Parts for DAC circuit

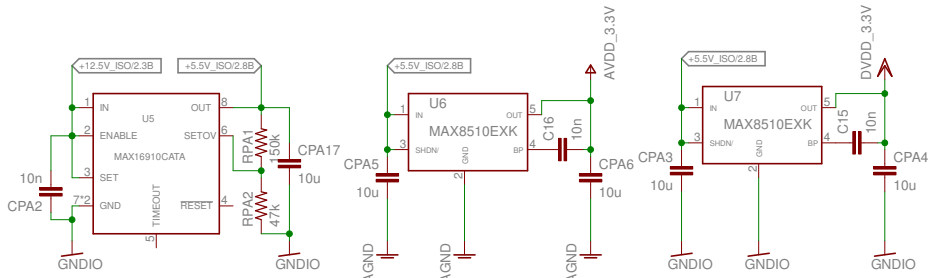
Industrial Power Vin 12V to 60V



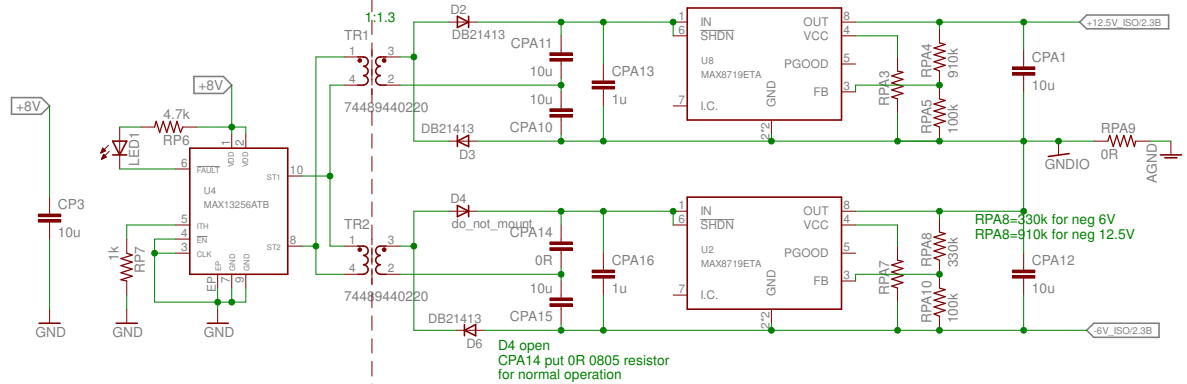
Power for MAXQ622



ADC + DAC Isolated Island



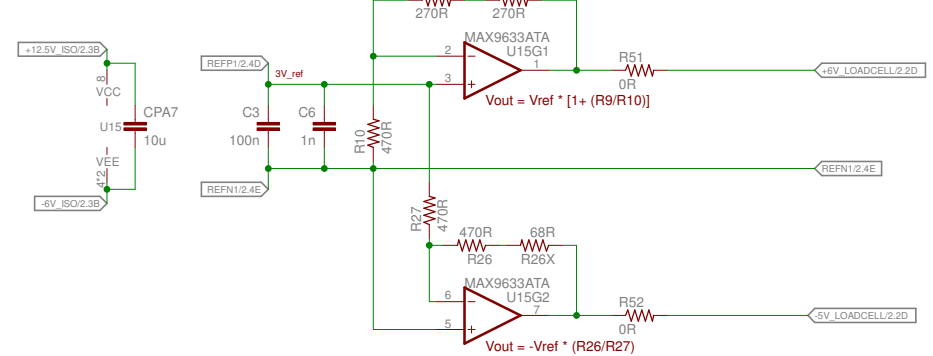
at 8V supply:
output is +13.5V(@100mA)
to 18.5V (5mA)



RPA8=330k for neg 6V
RPA8=910k for neg 12.5V

D4 open
CPA14 put 0R 0805 resistor
for normal operation

Fully adjustable supply just for load-cell only.



MAXREFDES75#
Display

