

5

4

3

2

1

D

C

B

A



TITLE: **FREMONT (MAXREFDES6#)**
 16-Bit High Accuracy 0-100mV ISO AFE

REV: **B**

DRAWN: **GL/OL**

DATED: **8/20/2013**

PCB PART NUMBER: **EPCBREFDES6**

SHEET: **1** OF **3**

APPROVAL _____ DATED: _____

REVISION: _____ DATED: _____

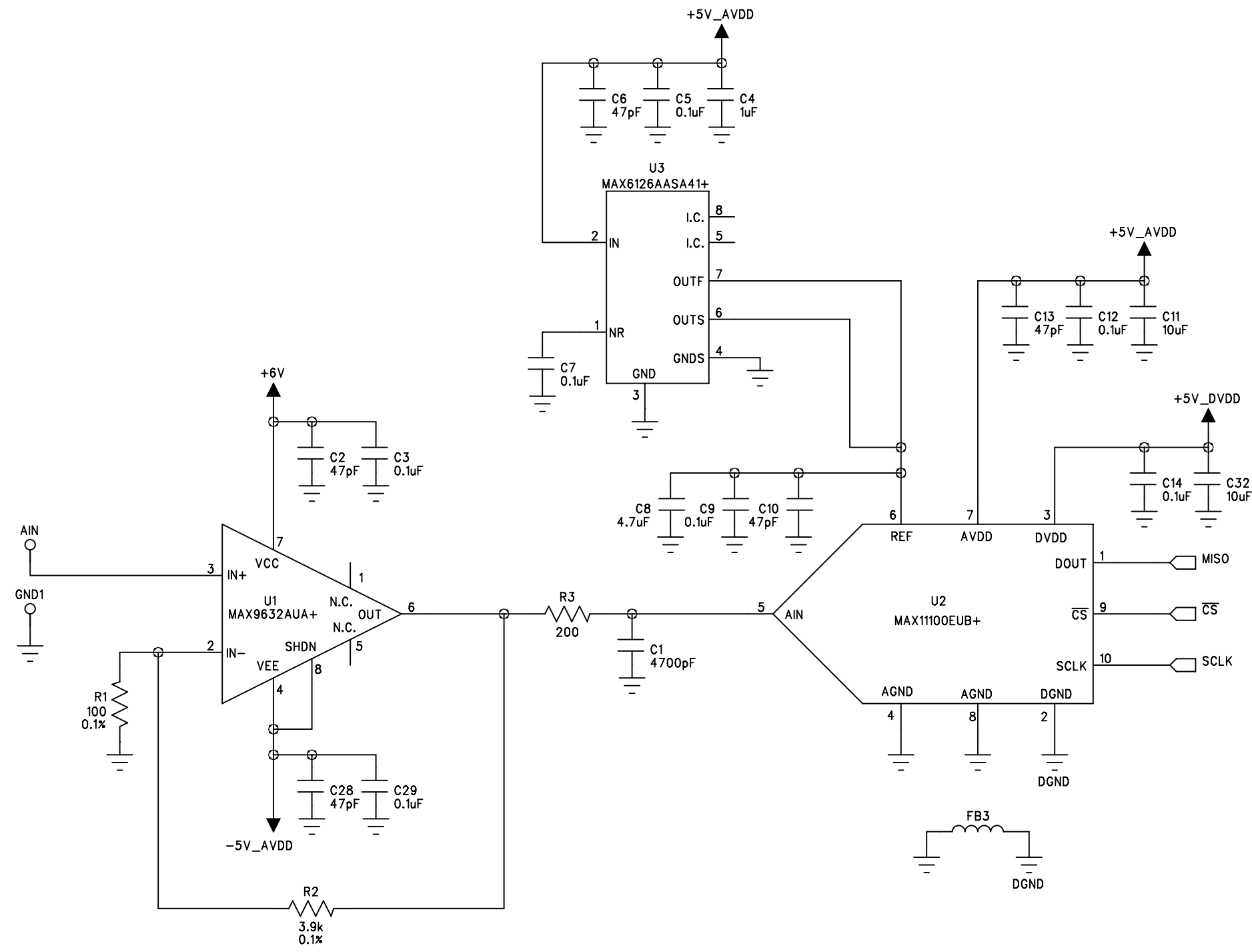
REVISION: _____ DATED: _____

REVISION: _____ DATED: _____

REVISION: _____ DATED: _____

REVISION: _____ DATED: _____

REVISION: _____ DATED: _____



5

4

3

2

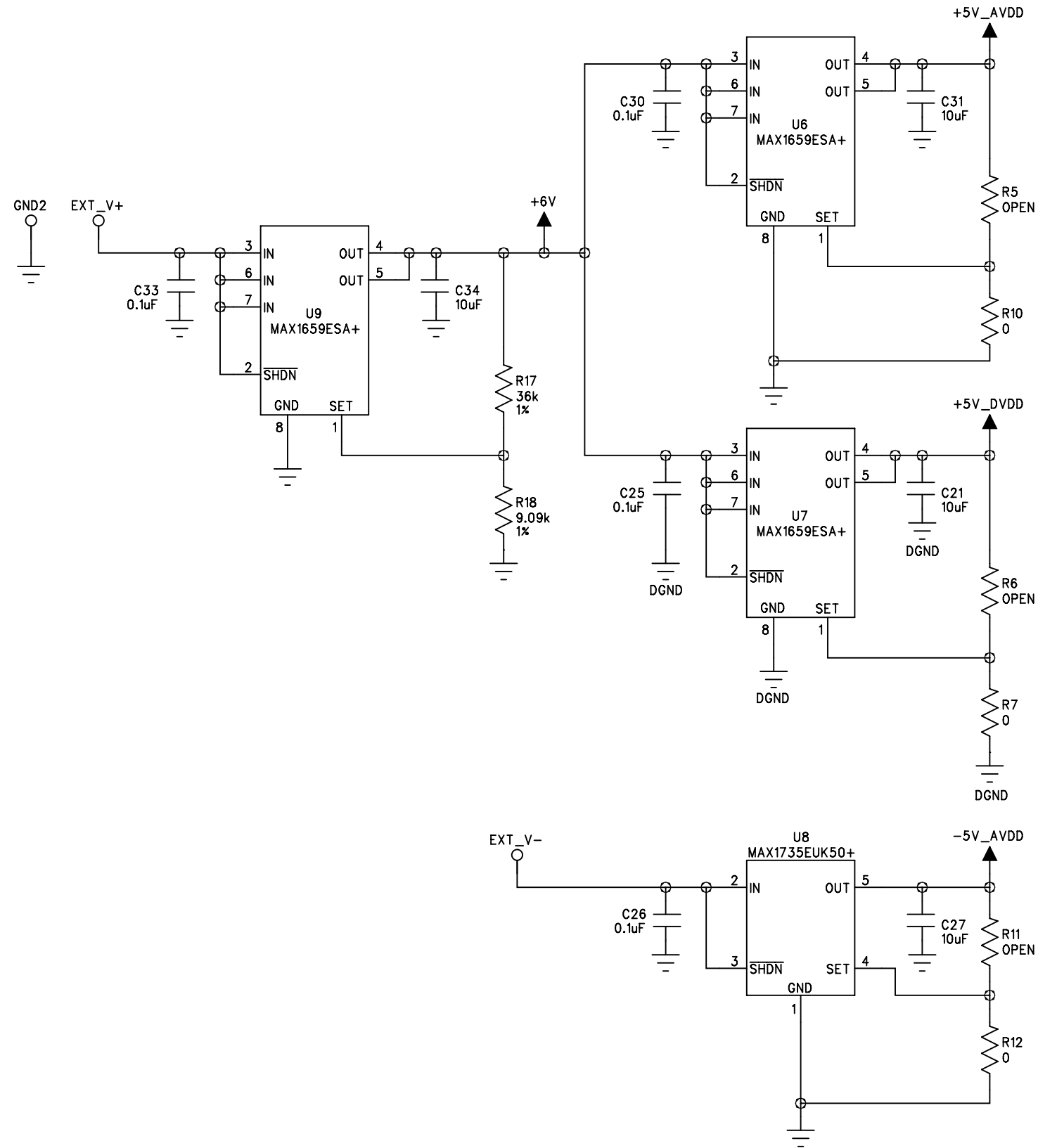
1

D

C

B

A



TITLE: FREMONT (MAXREFDES6#) 16-Bit High Accuracy 0-100mV ISO AFE	REV: B
---	-----------

DRAWN: GL/OL	DATED: 8/20/2013
-----------------	---------------------

PCB PART NUMBER: EPCBREFDES6	SHEET: 2 OF 3
---------------------------------	---------------

APPROVAL	DATED:
----------	--------

REVISION:	DATED:
-----------	--------

REVISION:	DATED:
-----------	--------

REVISION:	DATED:
-----------	--------

REVISION:	DATED:
-----------	--------

REVISION:	DATED:
-----------	--------

REVISION:	DATED:
-----------	--------

5

4

3

2

1

D

C

B

A



TITLE: FREMONT (MAXREFDES6#) 16-Bit High Accuracy 0-100mV ISO AFE	REV: B
---	-----------

DRAWN: GL/OL	DATED: 8/20/2013
-----------------	---------------------

PCB PART NUMBER: EPCBREFDES6	SHEET: 3 OF 3
---------------------------------	---------------

APPROVAL	DATED:
----------	--------

REVISION:	DATED:
-----------	--------

REVISION:	DATED:
-----------	--------

REVISION:	DATED:
-----------	--------

REVISION:	DATED:
-----------	--------

REVISION:	DATED:
-----------	--------

REVISION:	DATED:
-----------	--------

