

6

5

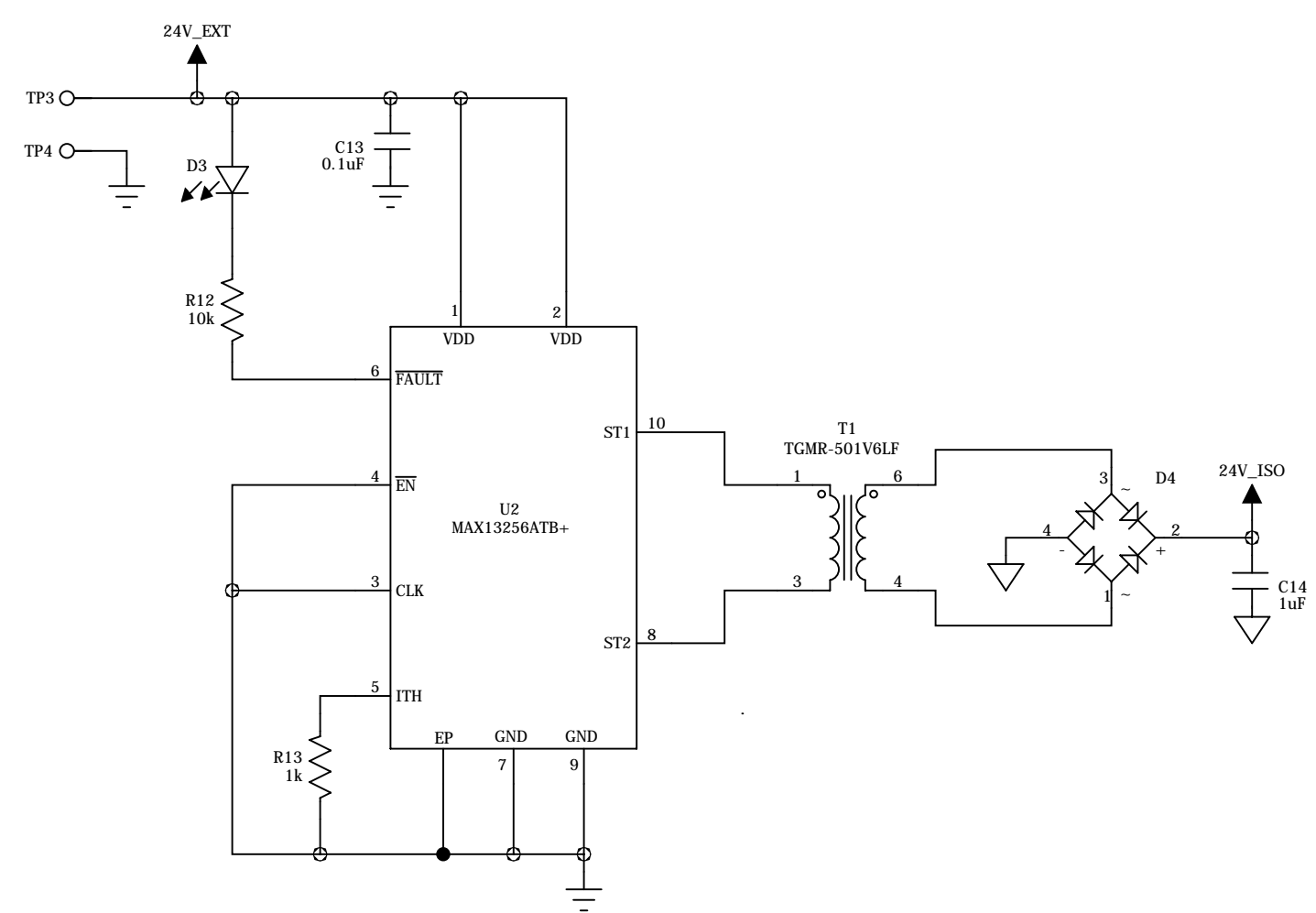
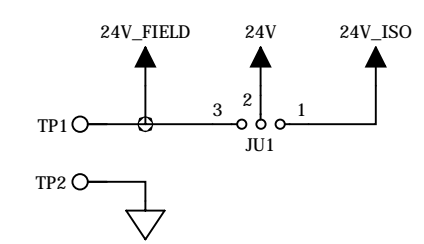
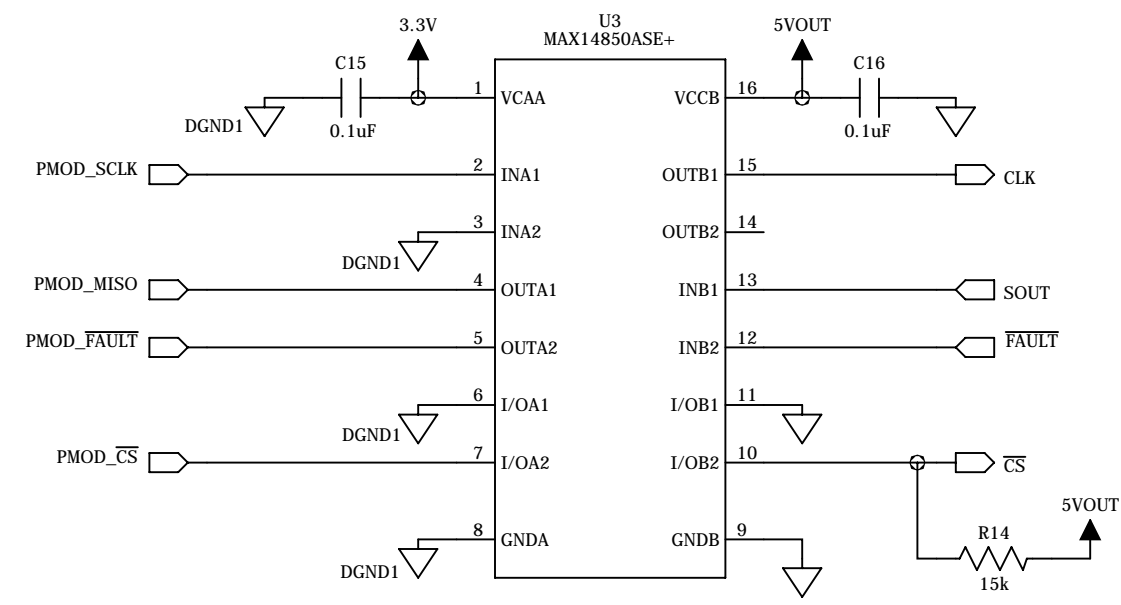
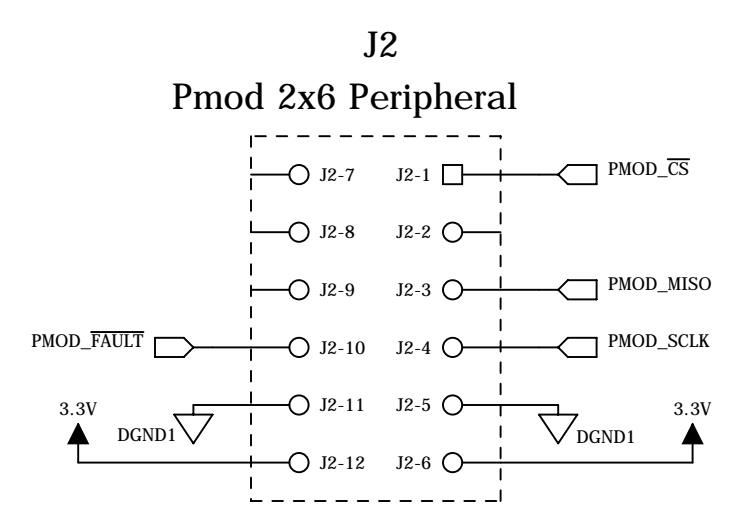
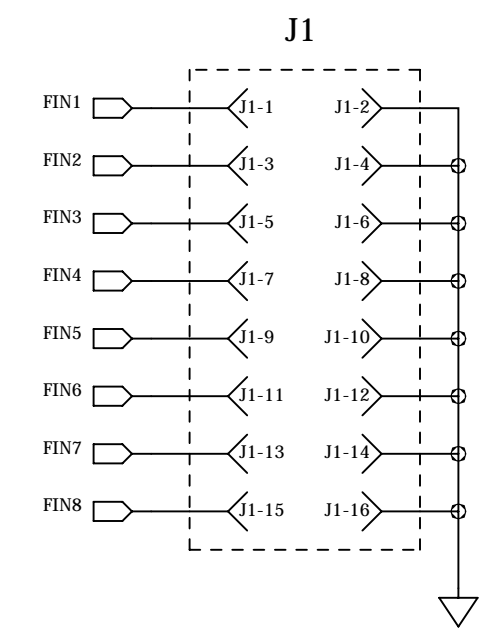
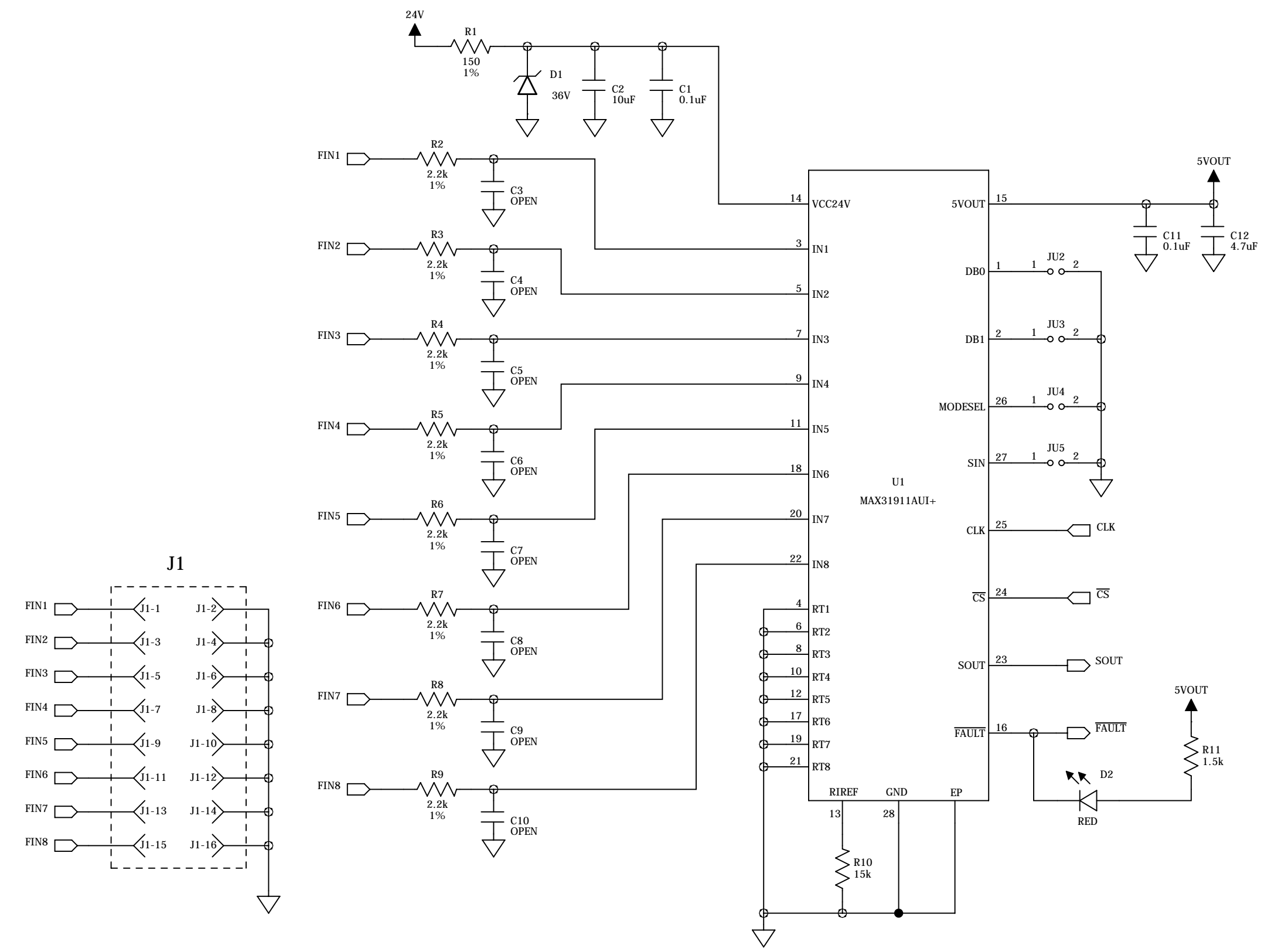
4

3

2

1

REVISION RECORD			
LTR	ECO NO.	APPROVED:	DATE:



TITLE: CORONA (MAXREFDES12#) Isolated Industrial Octal Digital Input Translator/Serializer		
PCB PART NUMBER: EPCBREFDES12	REV: A	
DRAWN: MG/OL	DATED: 3/12/2013	SHEET: 1 OF 1