

5

4

3

2

1

D

C

B

A



TITLE: **FRESNO (MAXREFDES11#)**
16-Bit High Accuracy 0-100mV ISO AFE

REV: **A**

DRAWN: **GL/OL** DATED: **11/30/2012**

PCB PART NUMBER: **EPCBREFDES11** SHEET: 1 OF 3

APPROVAL: _____ DATED: _____

REVISION: _____ DATED: _____

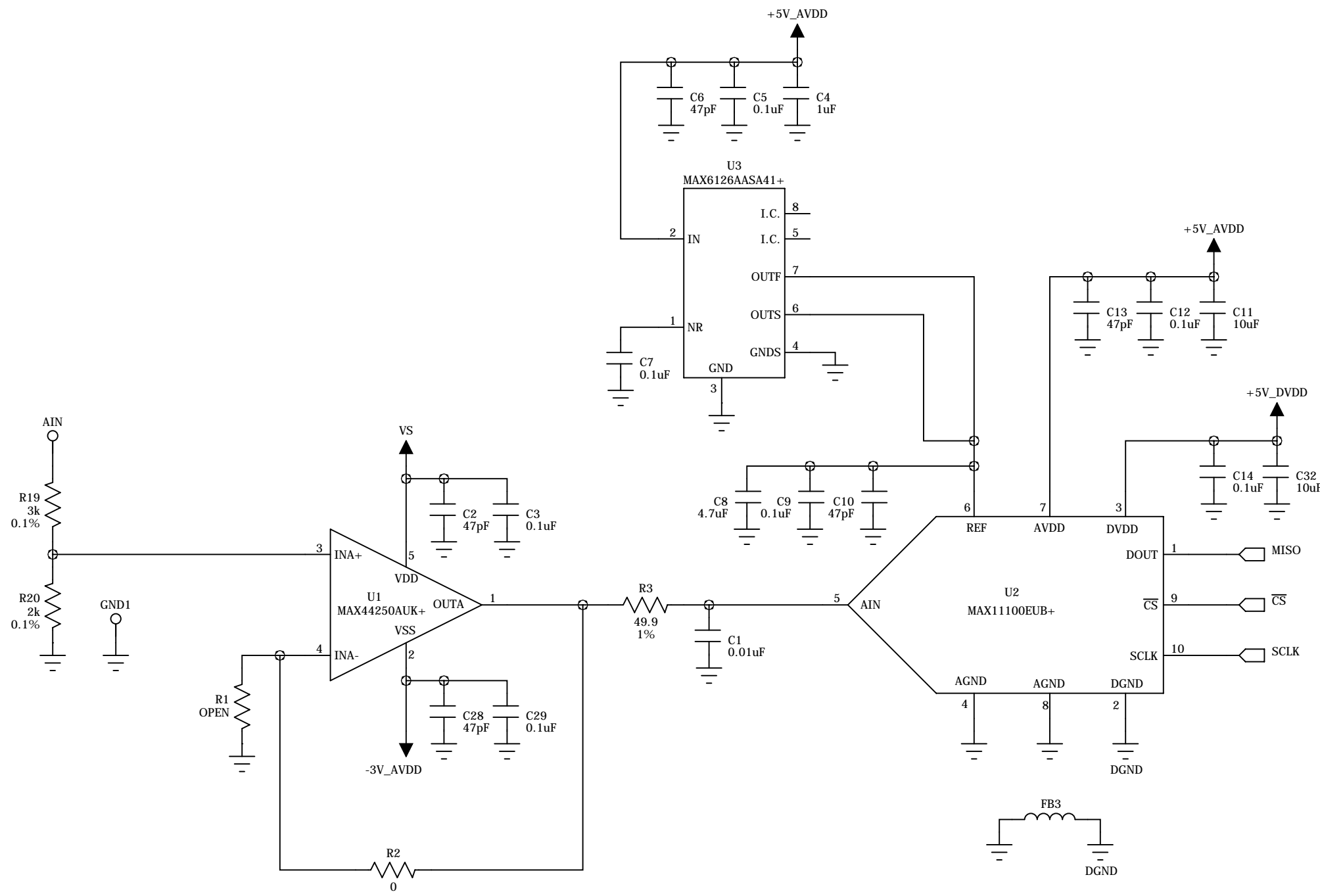
REVISION: _____ DATED: _____

REVISION: _____ DATED: _____

REVISION: _____ DATED: _____

REVISION: _____ DATED: _____

REVISION: _____ DATED: _____



5

4

3

2

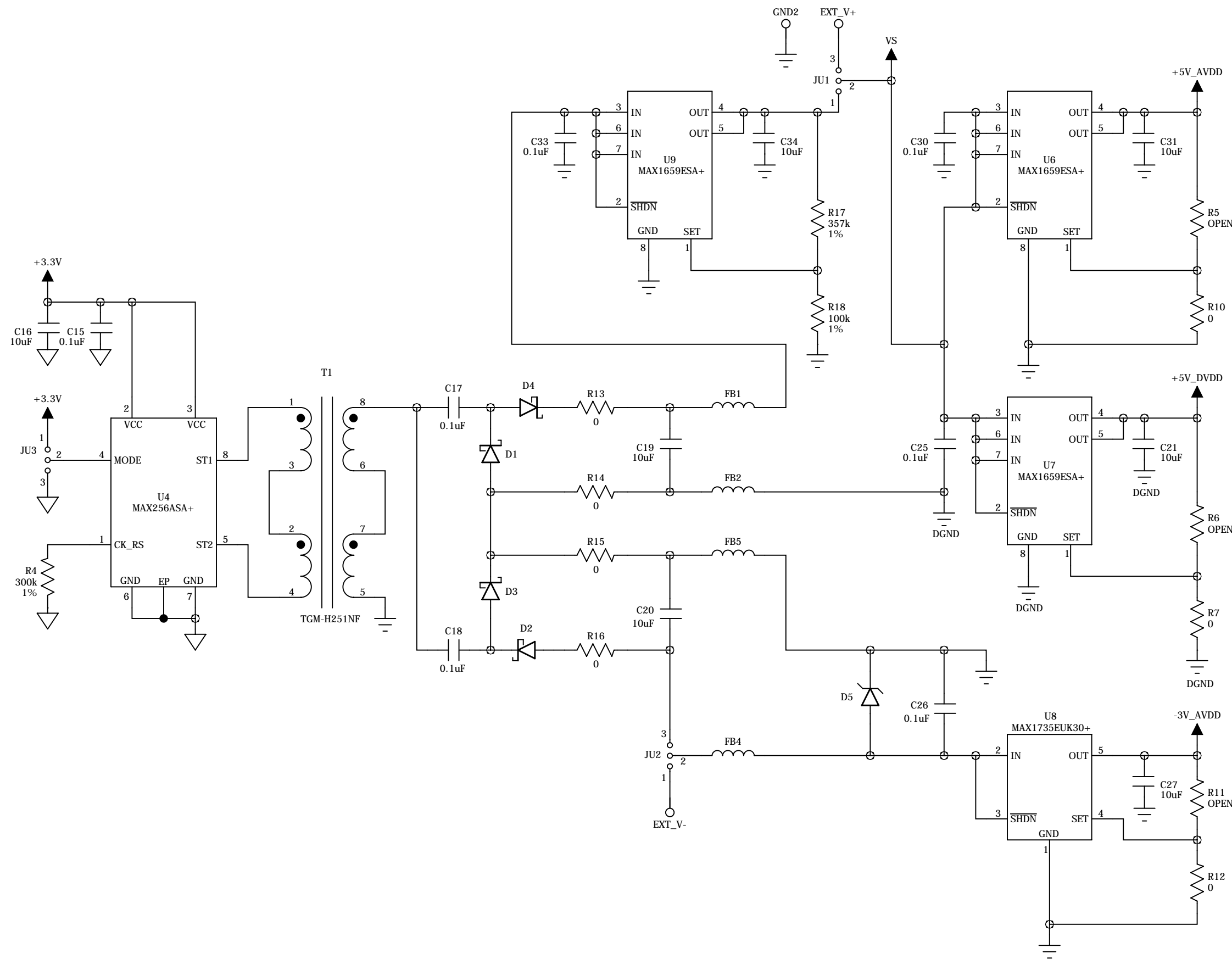
1

D

C

B

A



TITLE: FRESNO (MAXREFDES11#) 16-Bit High Accuracy 0-100mV ISO AFE	REV: A
--------------------------------------------------------------------------------	------------------

DRAWN: GL/OL	DATED: 11/30/2012
-----------------	----------------------

PCB PART NUMBER: EPCBREFDES11	SHEET: 2 OF 3
-----------------------------------------	---------------

APPROVAL	DATED:
----------	--------

REVISION:	DATED:
-----------	--------

REVISION:	DATED:
-----------	--------

REVISION:	DATED:
-----------	--------

REVISION:	DATED:
-----------	--------

REVISION:	DATED:
-----------	--------

REVISION:	DATED:
-----------	--------

5

4

3

2

1

D

C

B

A



TITLE: FRESNO (MAXREFDES11 #) 16-Bit High Accuracy 0-100mV ISO AFE	REV: A
---------------------------------------------------------------------------------	------------------

DRAWN: GL/OL	DATED: 11/30/2012
-----------------	----------------------

PCB PART NUMBER: EPCBREFDES11	SHEET: 3 OF 3
-----------------------------------------	---------------

APPROVAL	DATED:
----------	--------

REVISION:	DATED:
-----------	--------

REVISION:	DATED:
-----------	--------

REVISION:	DATED:
-----------	--------

REVISION:	DATED:
-----------	--------

REVISION:	DATED:
-----------	--------

REVISION:	DATED:
-----------	--------

