

6

5

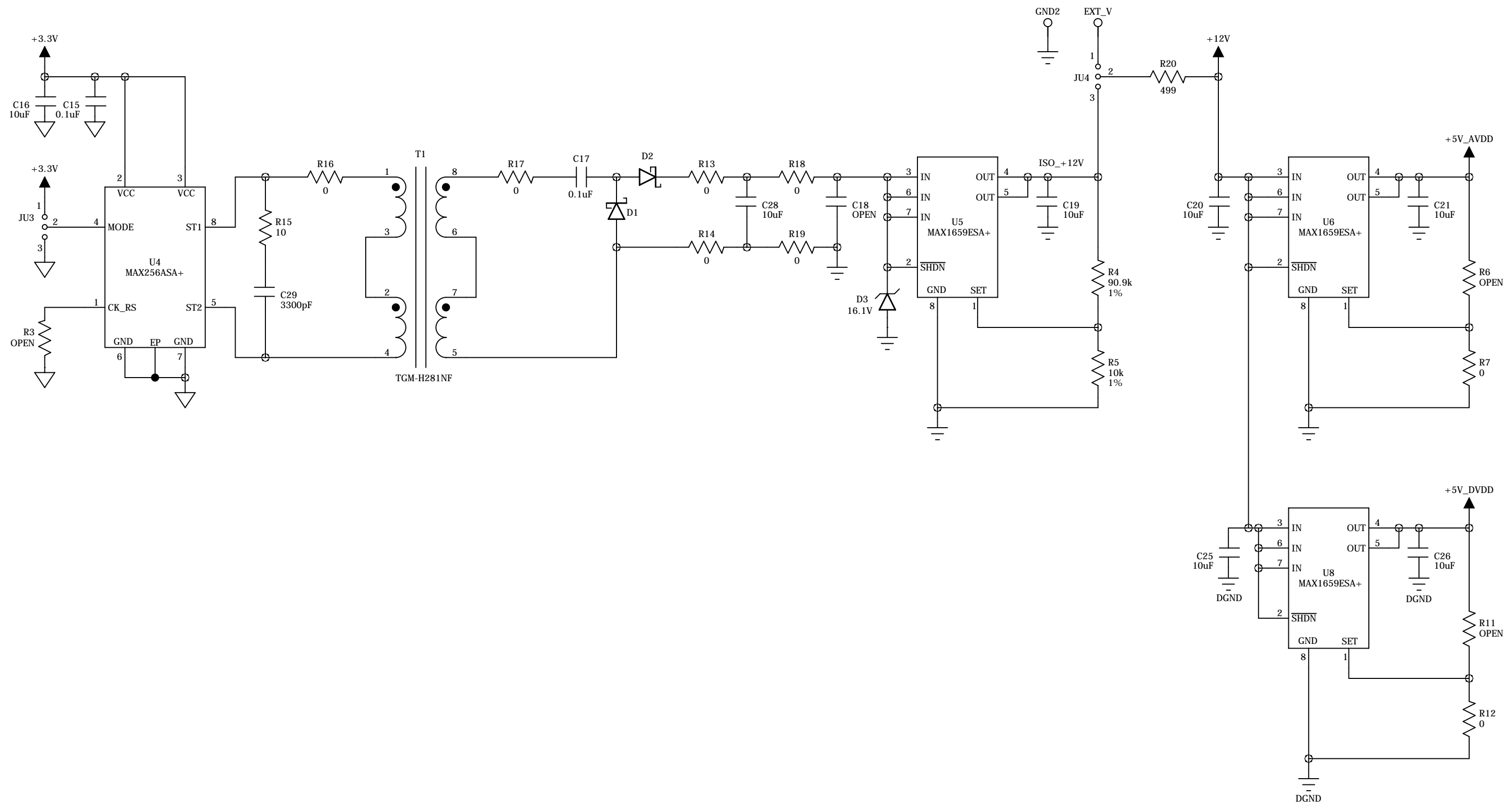
4

3

2

1

REVISION RECORD			
LTR	ECO NO:	APPROVED:	DATE:



TITLE: CAMPBELL (MAXREFDES4#) 16-Bit High Accuracy 4-20mA ISO AFE		
PCB PART NUMBER: EPCBREFDES4		REV: A
DRAWN: MG/OL	DATED: 11/30/2012	SHEET: 2 OF 3

5

4

3

2

1

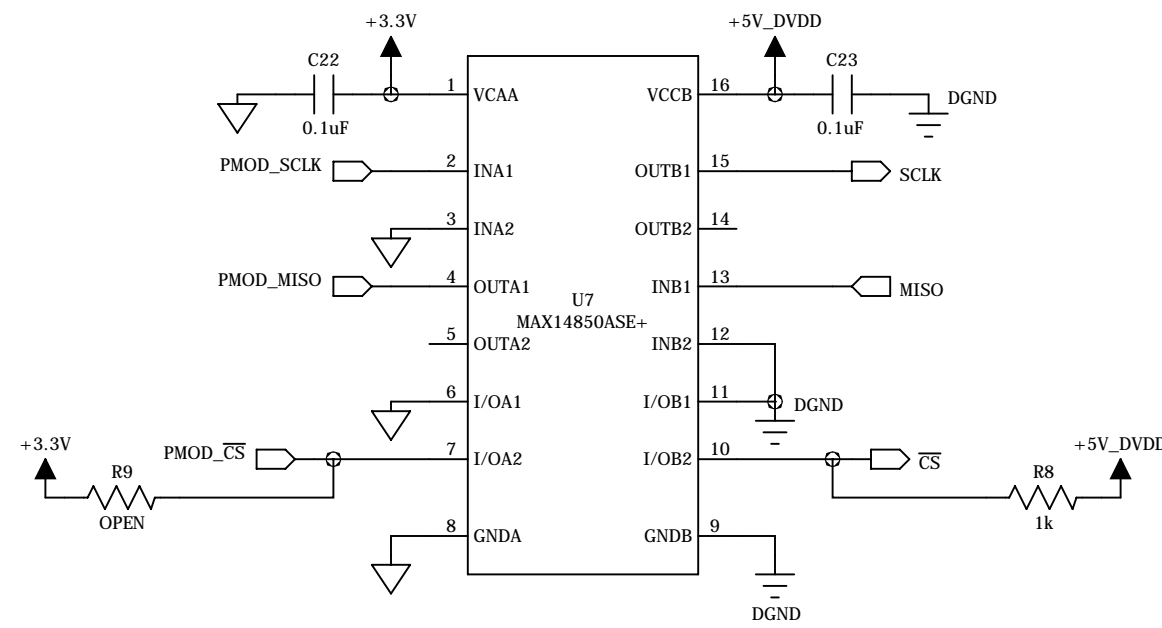
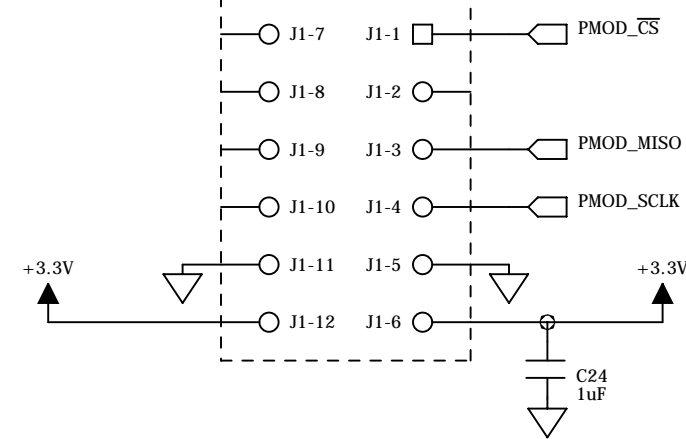
D

C

B

A

J1
Pmod 2x6 Peripheral



TITLE: CAMPBELL (MAXREFDES4#) 16-Bit High Accuracy 4-20mA ISO AFE	REV: A
---	-----------

DRAWN: MG/OL	DATED: 11/30/2012
-----------------	----------------------

PCB PART NUMBER: EPCBREFDES4	SHEET: 3 OF 3
---------------------------------	---------------

APPROVAL	DATED:
----------	--------

REVISION:	DATED:
-----------	--------

REVISION:	DATED:
-----------	--------

REVISION:	DATED:
-----------	--------

REVISION:	DATED:
-----------	--------

REVISION:	DATED:
-----------	--------

REVISION:	DATED:
-----------	--------