

6

5

4

3

2

1

REVISION RECORD			
LTR	ECO NO:	APPROVED:	DATE:

D

D

C

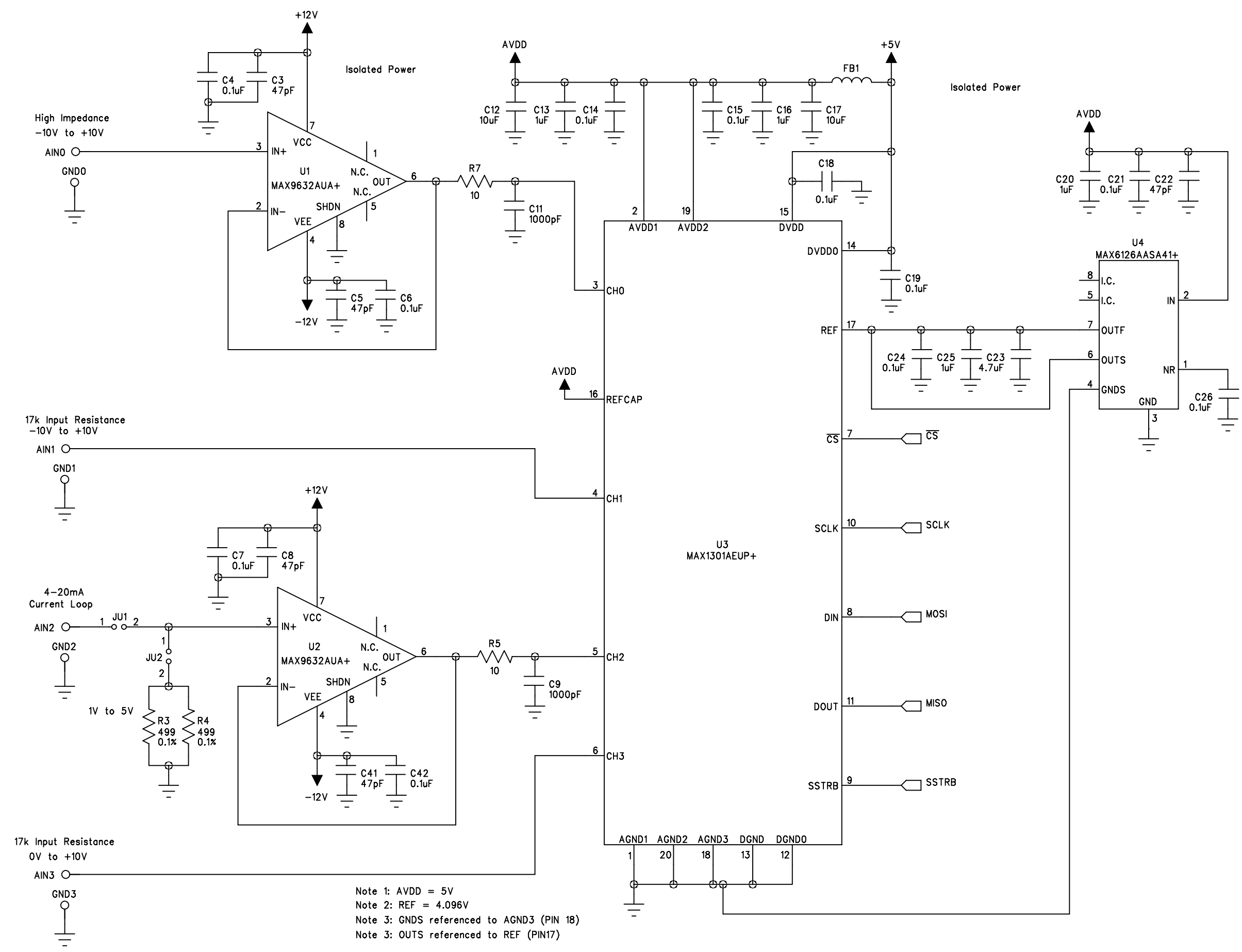
C

B

B

A

A



COMPANY:

TITLE: SANTA FE (MAXREFDES5#)  
16-bit High Accuracy Multi-Input Iso AFE

CODE:	SIZE:	PCB PART NO:	REV:
	C	EPCBREFDES5	B

SCALE: SHEET: 1 OF 3

DRAWN: TS/OL	DATED: 2/05/2014
CHECKED:	DATED:
QUALITY CONTROL:	DATED:
RELEASED:	DATED:

6

5

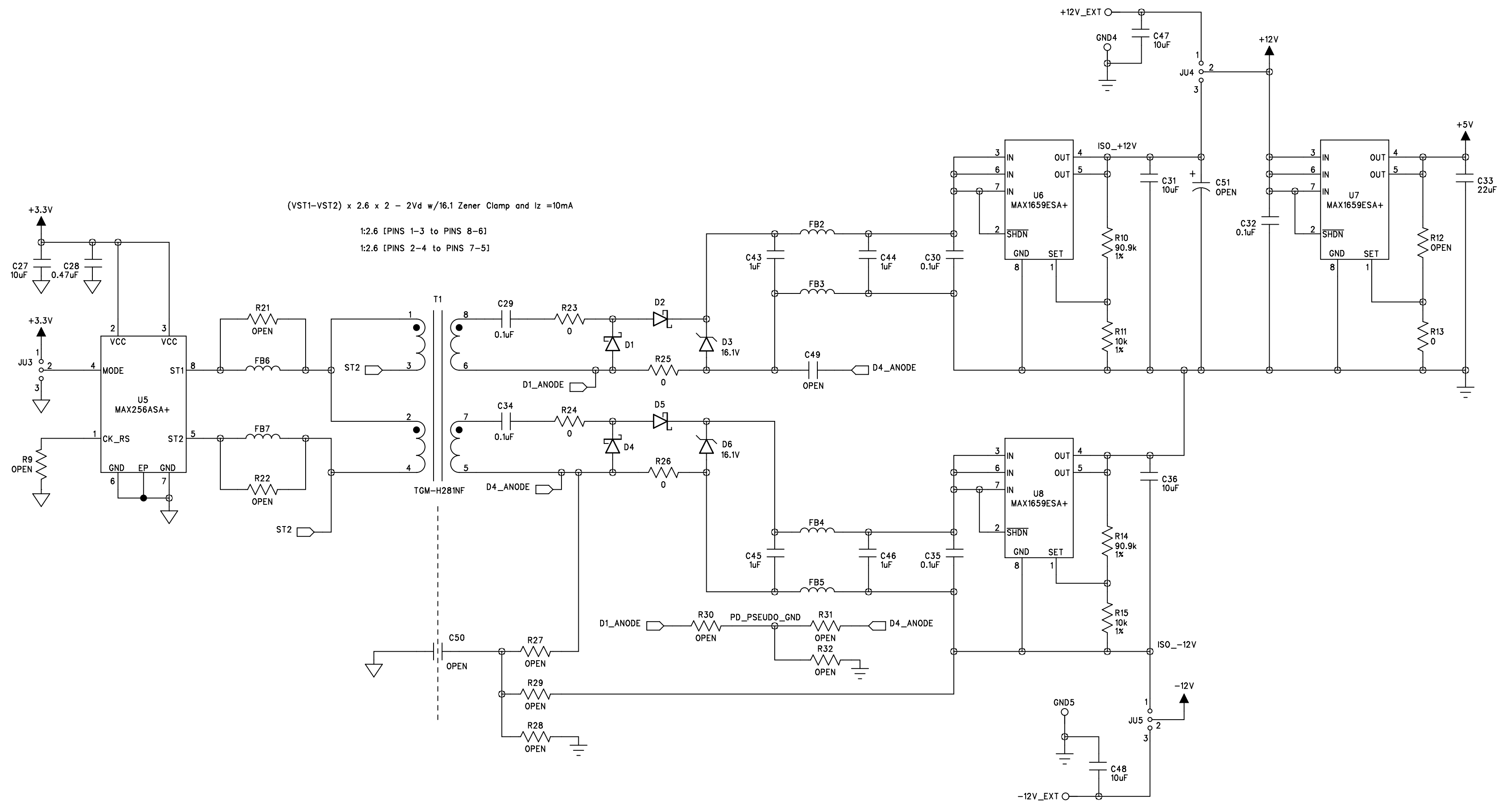
4

3

2

1

REVISION RECORD			
LTR	ECO NO:	APPROVED:	DATE:



TITLE: SANTA FE (MAXREFDES5#) 16-bit High Accuracy Multi-Input Iso AFE		
PCB PART NUMBER: EPCBREFDES5	REV: B	
DRAWN: TS/OL	DATED: 2/05/2014	SHEET: 2 OF 3

6

5

4

3

2

1

REVISION RECORD			
LTR	ECO NO:	APPROVED:	DATE:

D

D

C

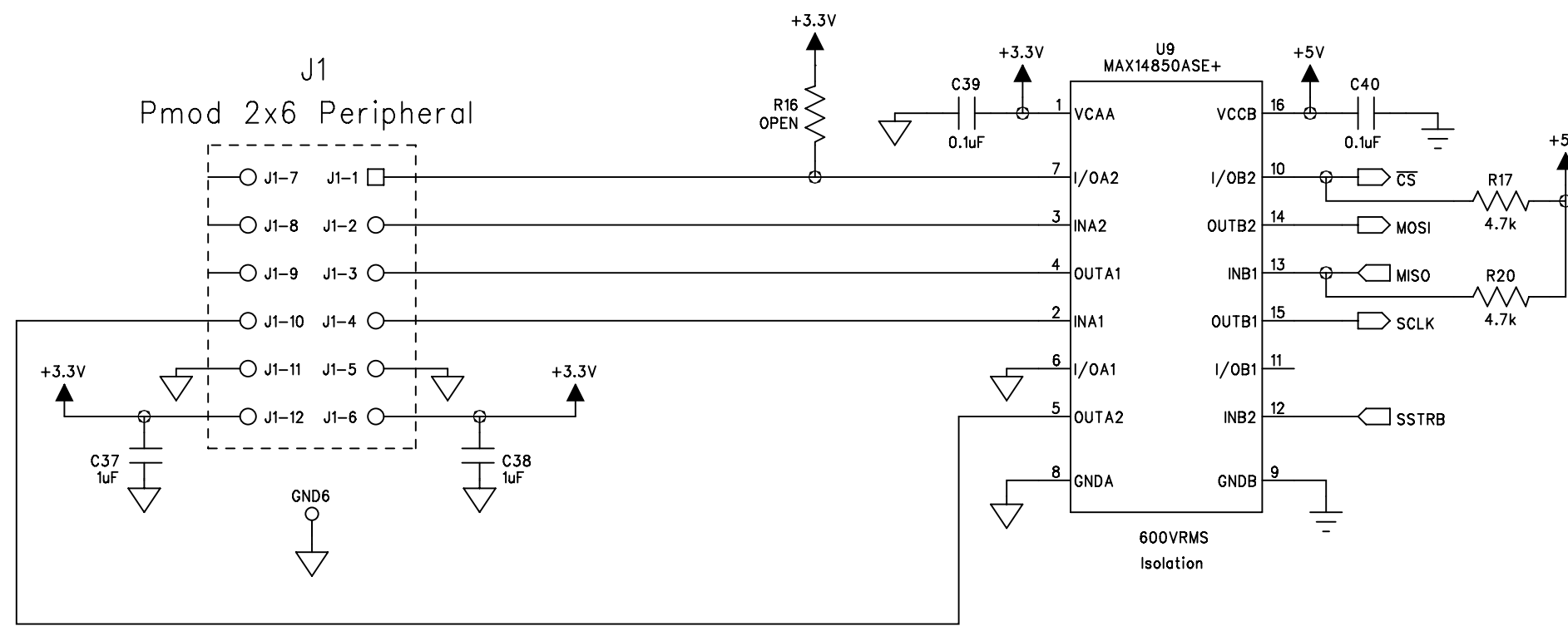
C

B

B

A

A



TITLE: SANTA FE (MAXREFDES5#)  
16-bit High Accuracy Multi-Input Iso AFE

PCB PART NUMBER: EPCBREFDES5	REV: B
DRAWN: TS/OL	DATED: 2/05/2014
SHEET: 3 OF 3	