

5

4

3

2

1



TITLE: **RIVERSIDE (MAXREFDES8#)**  
 +3.3V Input, +12V (+15V) Output  
 Isolated Power Supply

REV:  
**B**

DRAWN:  
MG/OL

DATED:  
1/21/2013

PCB PART NUMBER:  
**EPCBREFDES8**

SHEET: 1 OF 1

APPROVAL

DATED:

REVISION: DATED:

REVISION: DATED:

REVISION: DATED:

REVISION: DATED:

REVISION: DATED:

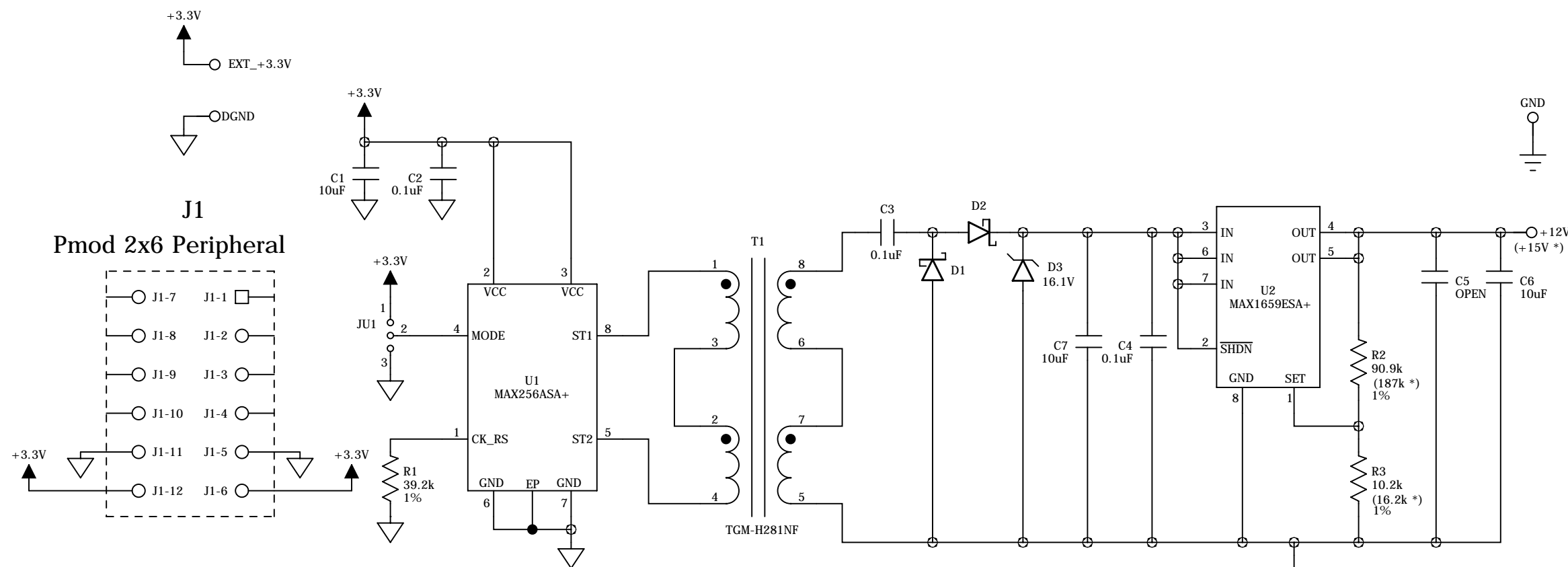
REVISION: DATED:

D

C

B

A



\* For +15V output.