

5

4

3

2

1

D

C

B

A



TITLE: **LAKWOOD (MAXREFDES7#)**  
 +3.3V Input, +/-12V(+/-15V) Output  
 Isolated Power Supply

REV:  
**B**

DRAWN: MG/OL DATED: 1/22/2013

PCB PART NUMBER: **EPCBREFDES7** SHEET: 1 OF 1

APPROVAL DATED:

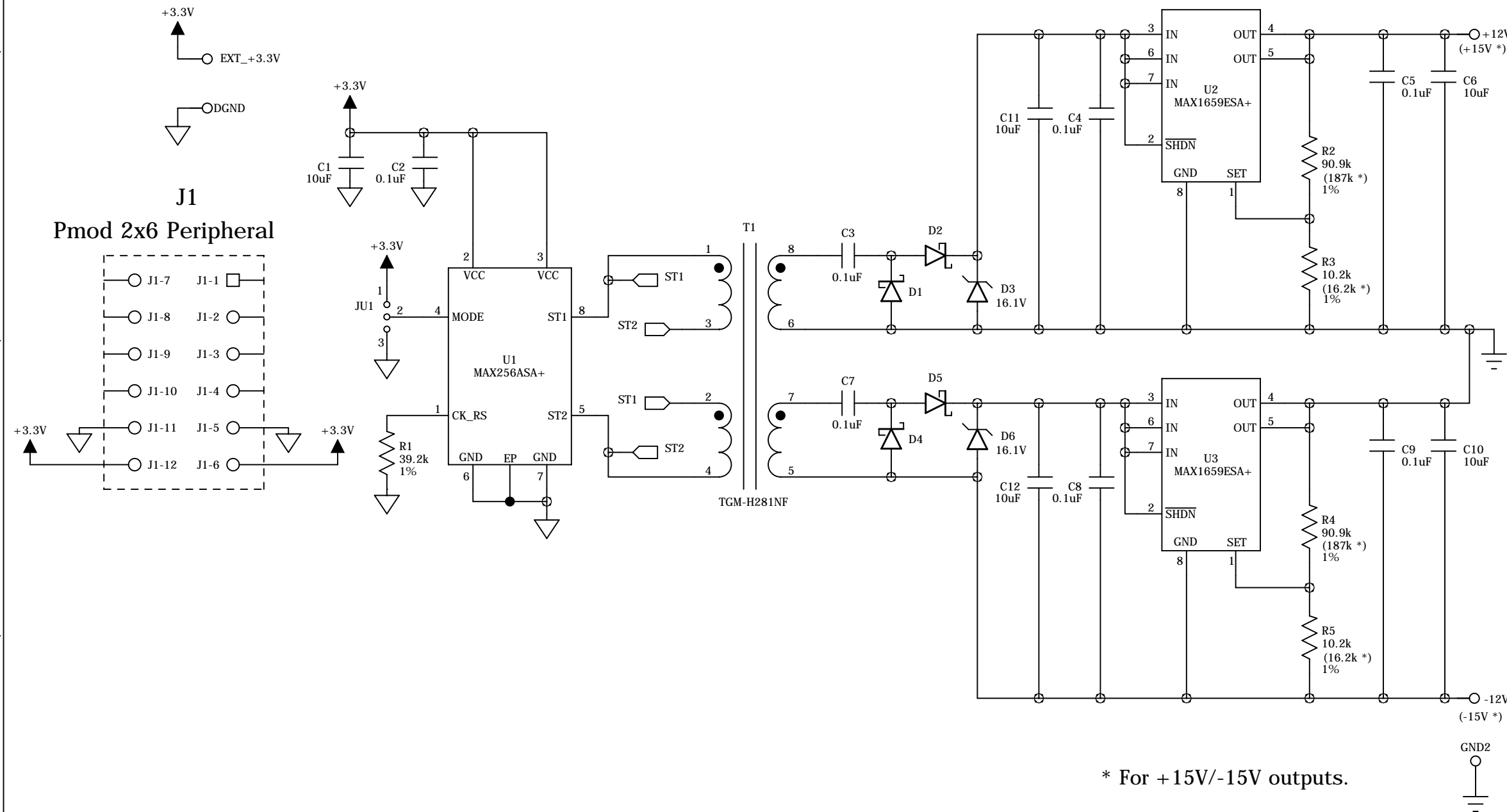
REVISION: DATED:

REVISION: DATED:

REVISION: DATED:

REVISION: DATED:

REVISION: DATED:



\* For +15V/-15V outputs.

