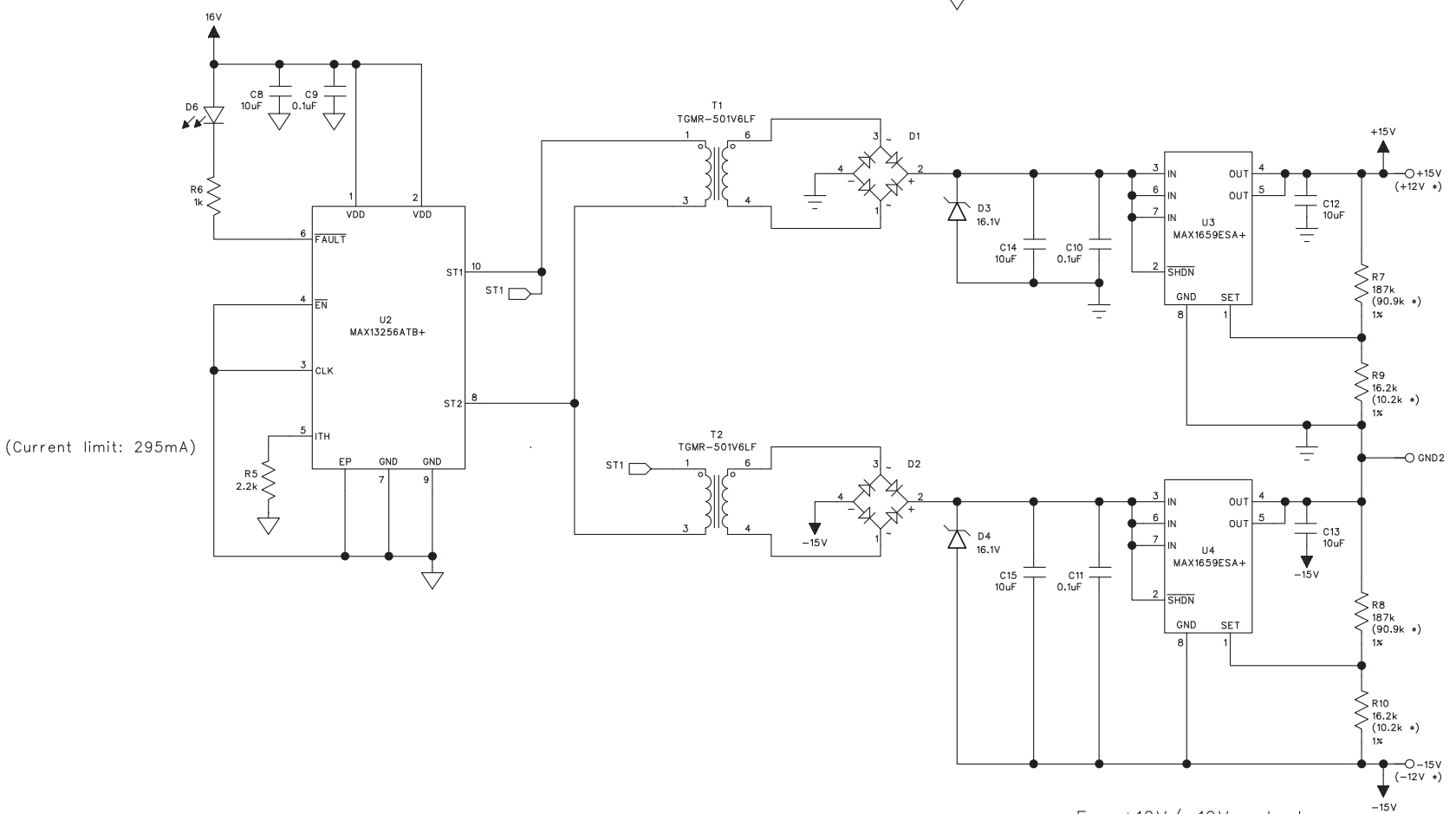
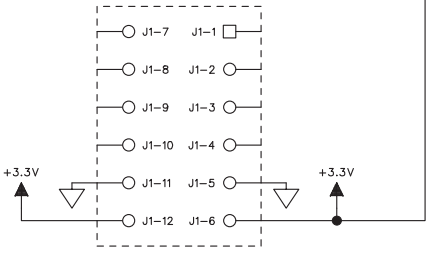


J1
Pmod 2x6 Peripheral



(Current limit: 295mA)

* For +12V/-12V outputs.