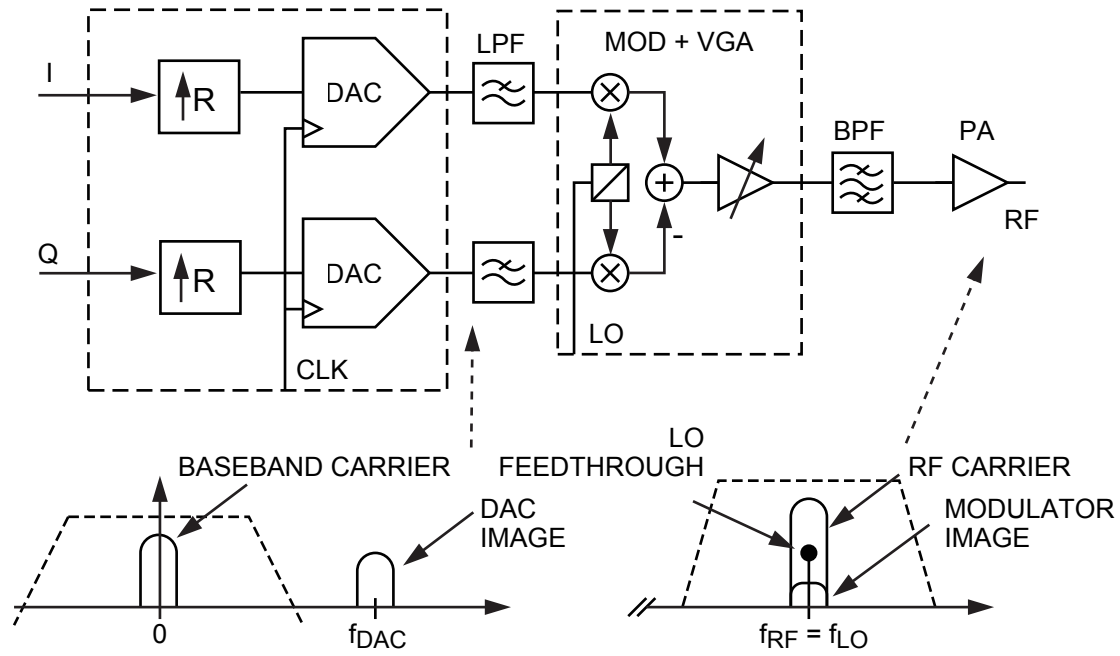
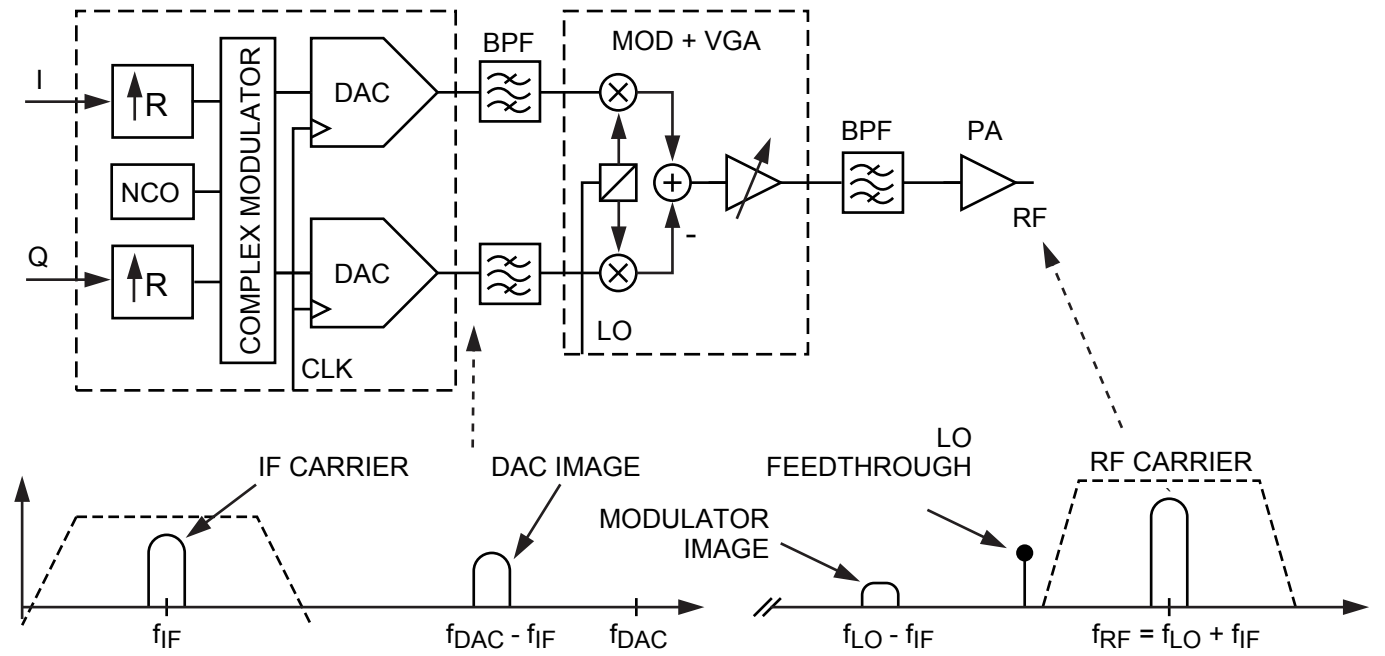


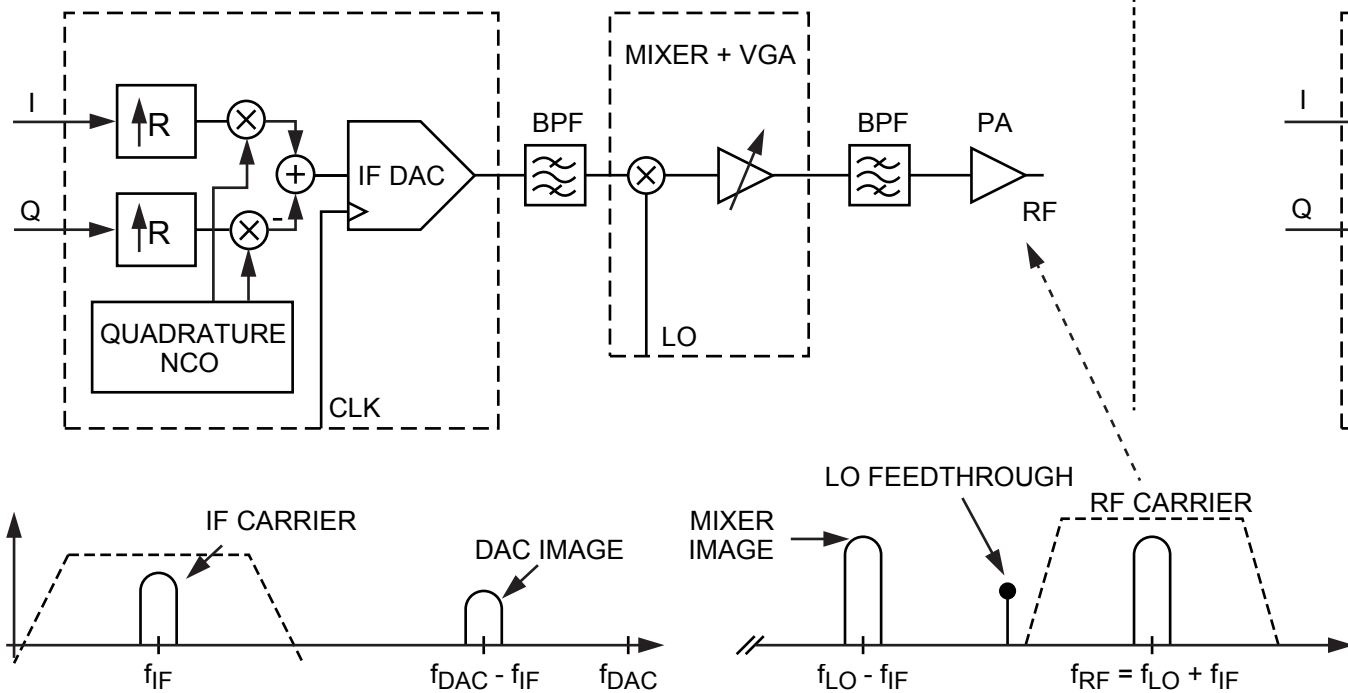
(A) ZERO-IF ARCHITECTURE



(B) COMPLEX IF ARCHITECTURE



(C) HIGH (REAL) IF ARCHITECTURE



(D) DIRECT RF ARCHITECTURE

