

6

5

4

3

2

1

D

D

C

C

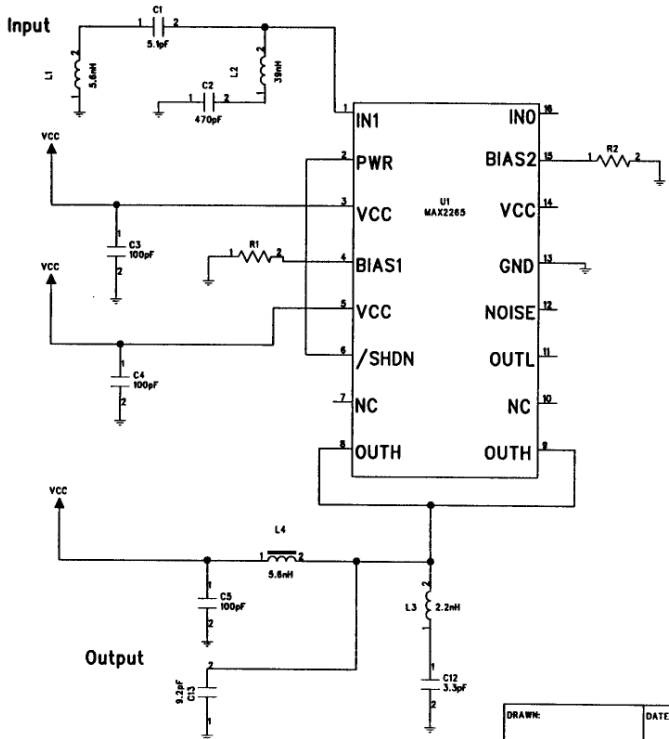
B

B

A

A

REVISION RECORD			
LTR	ECO NO.	APPROVED:	DATE:



COMPANY:

TITLE:  
**MAX2265 EV Board**

DRAWN:	DATED:
CHECKED:	DATED:
QUALITY CONTROL:	DATED:
RELEASED:	DATED:

CODE:	SIZE: <b>B</b>	DRAWING NO.:	REV.: <b>1.0</b>
SCALE:			SHEET: <b>1</b> OF <b>1</b>