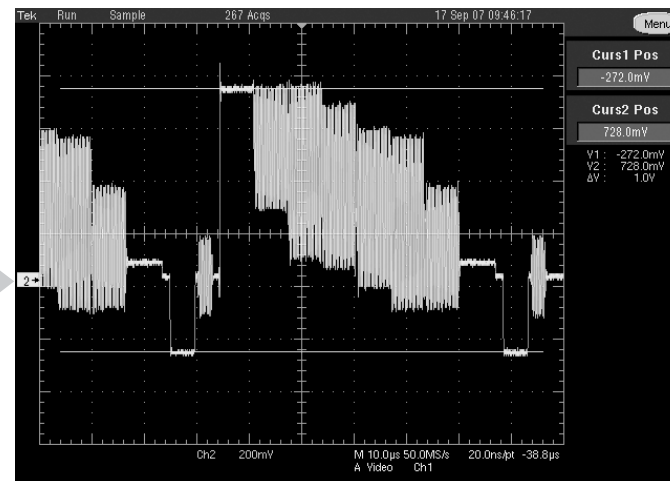
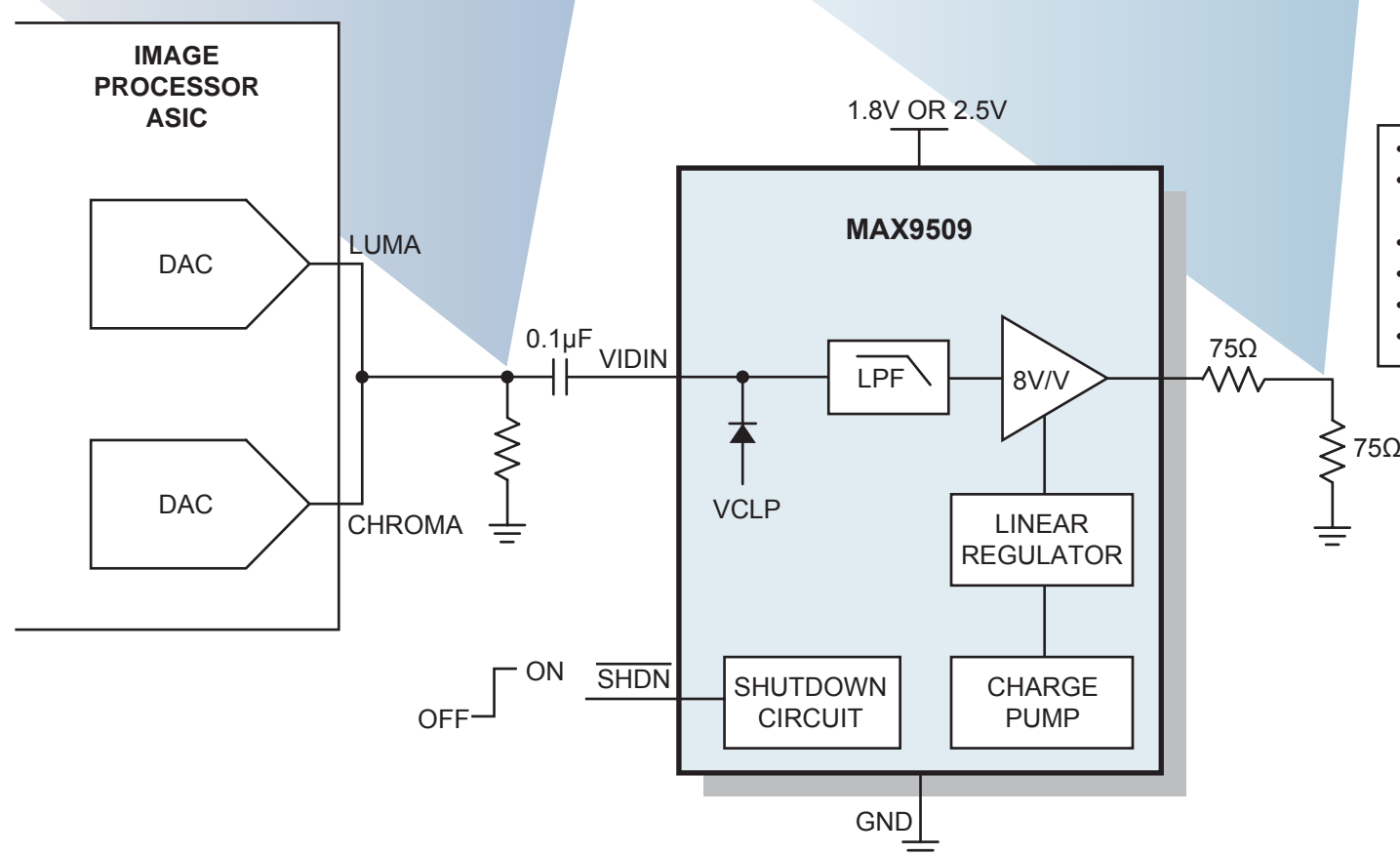


GND →



Input Signal

- 0.25V_{p-p} Y/C Summer
- AC-Coupled
- Unknown DC Bias



Output Signal

- 1V_{p-p} CVBS
- Black Level at About GND (Because of DirectDrive)
- DC-Coupled
- 1.8V or 2.5V Supply Rail
- Shutdown Capabilities
- Low Power Consumption