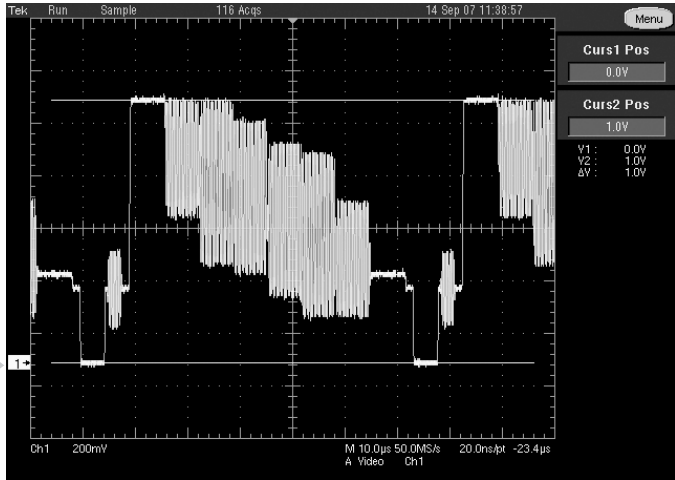
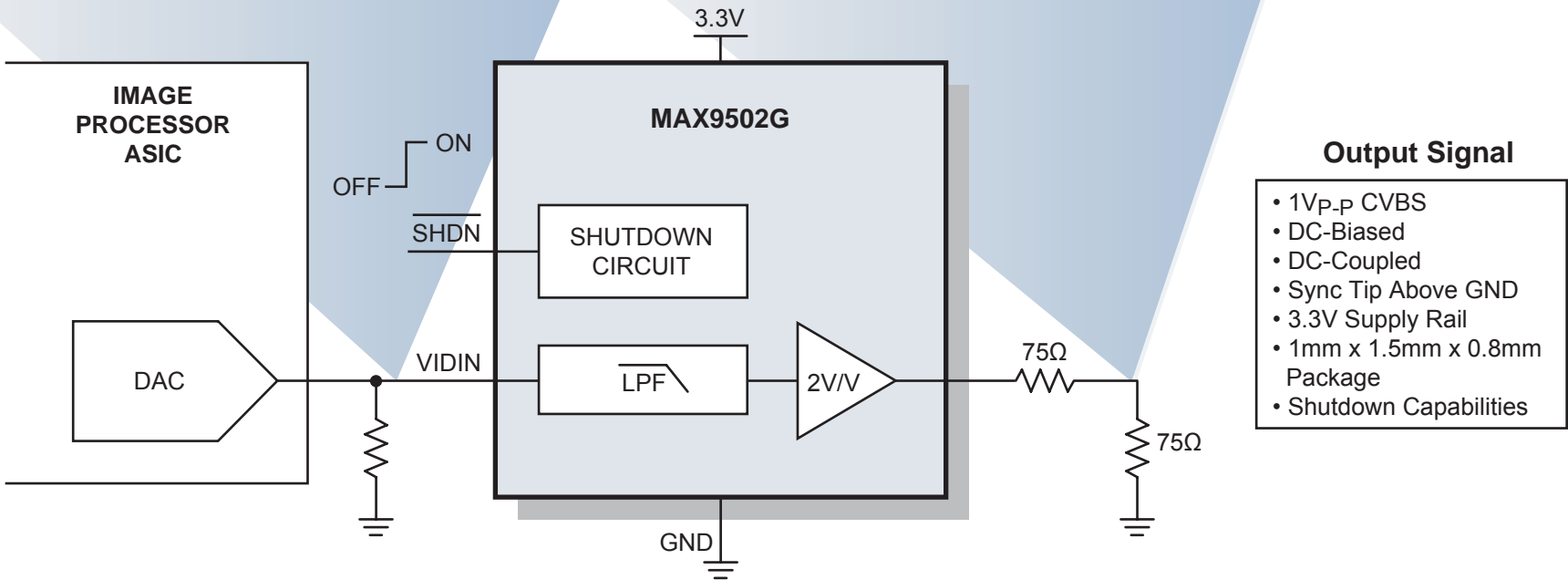
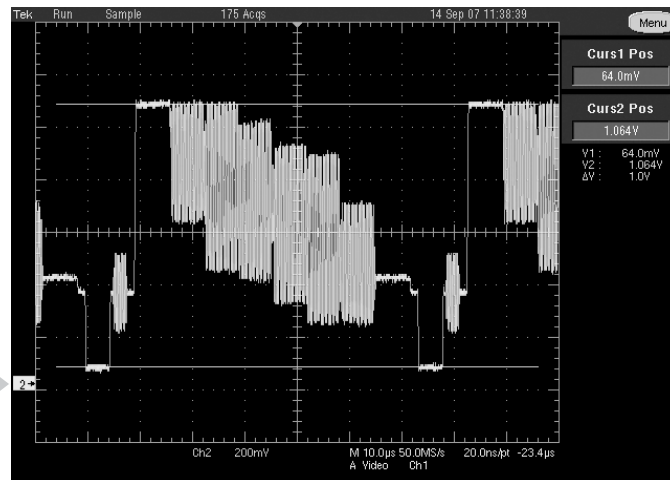


GND



GND



- Input Signal**
- 1V<sub>P-P</sub> CVBS
  - DC-Biased
  - DC-Coupled

- Output Signal**
- 1V<sub>P-P</sub> CVBS
  - DC-Biased
  - DC-Coupled
  - Sync Tip Above GND
  - 3.3V Supply Rail
  - 1mm x 1.5mm x 0.8mm Package
  - Shutdown Capabilities

*Note: This solution is not recommended if AC-coupling capacitors are required on the video output line; in that situation, designers should seek a different solution.*