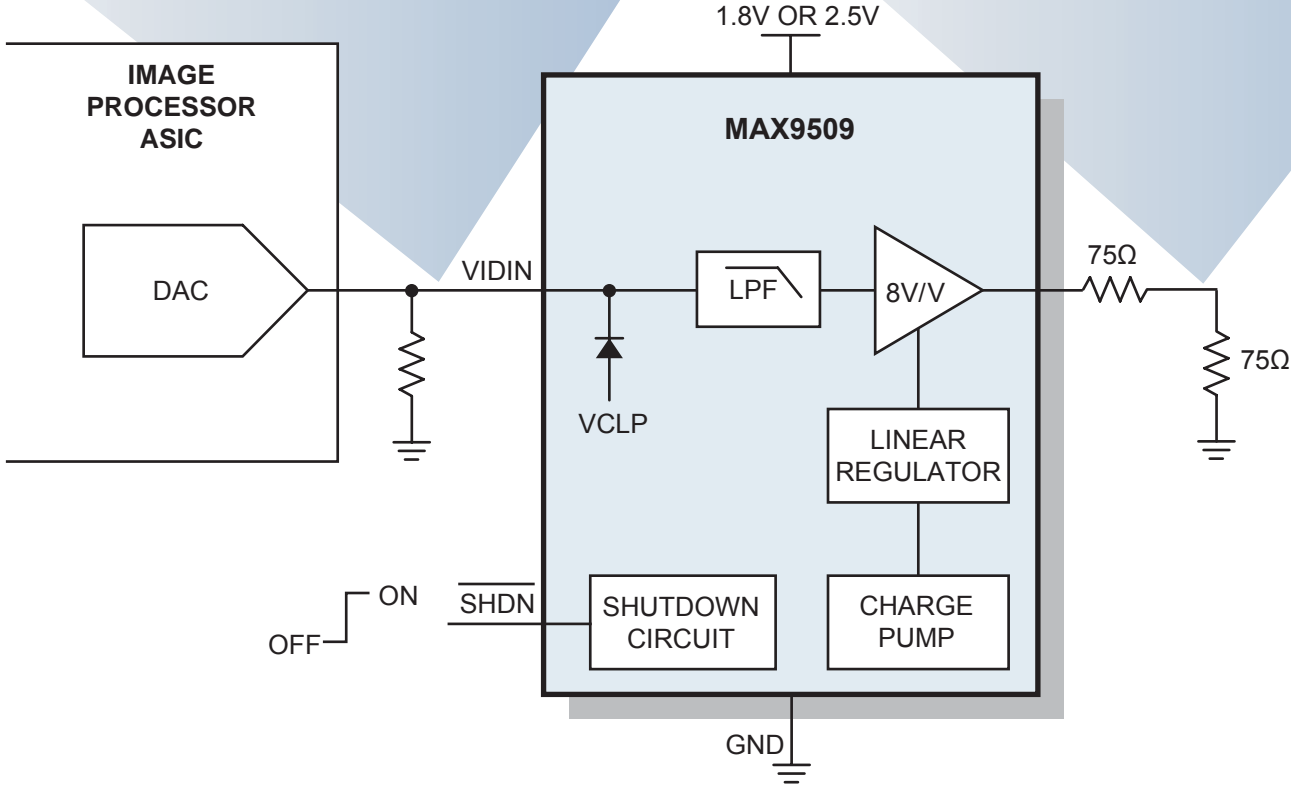


Input Signal

- 0.25V_{P-P} CVBS
- DC-Biased
- DC-Coupled



Output Signal

- 1V_{P-P} CVBS
- Black Level at About GND (Because of DirectDrive)
- DC-Coupled
- 1.8V or 2.5V Supply Rail
- Shutdown Capabilities
- Low Power Consumption

Note: Video DACs with a 1V_{P-P} output signal can work in this configuration if the DAC's output terminating resistor is scaled down.