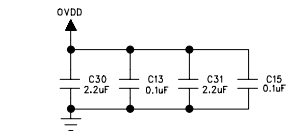
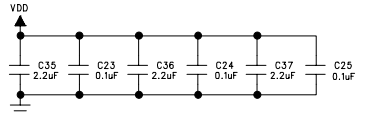
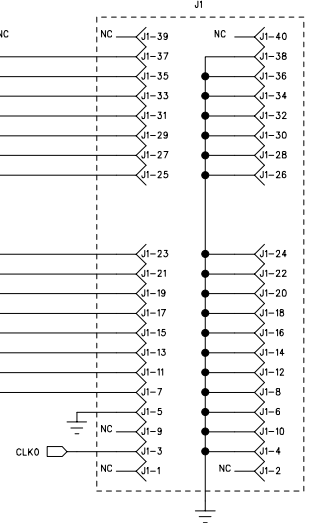
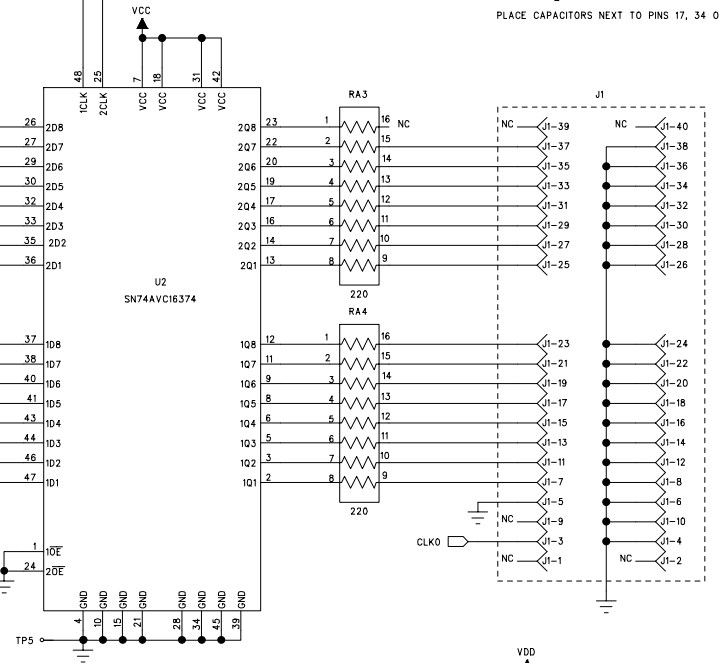
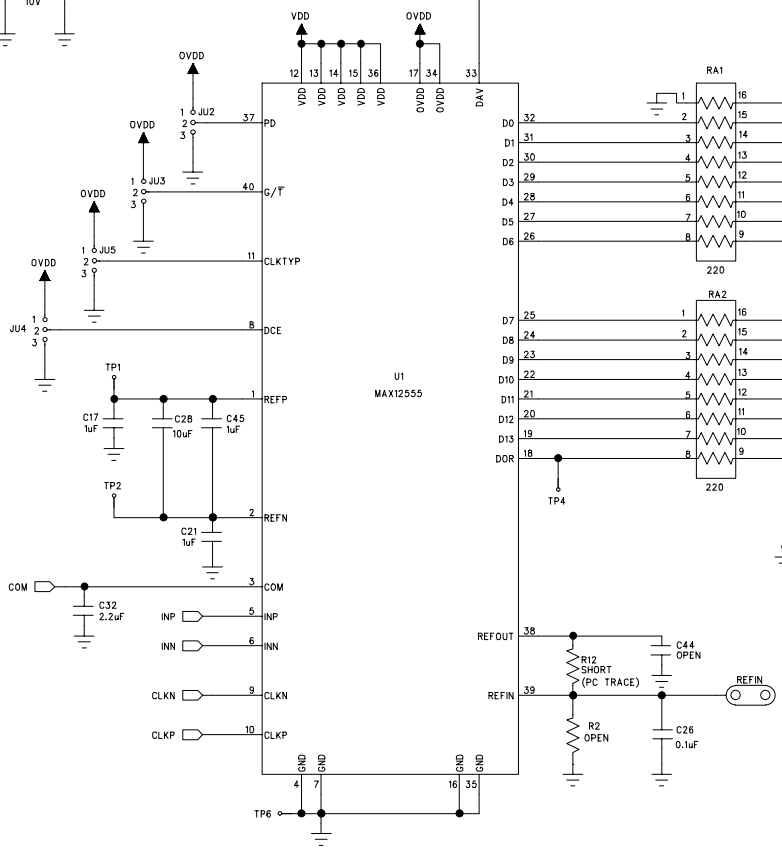


PLACE CAPACITORS NEXT TO PINS 7, 18, 31, AND 42 OF U2.



PLACE CAPACITORS NEXT TO PINS 17, 34 OF U1.



PLACE CAPACITORS IN THE FOLLOWING LOCATIONS OF U1:
 C35 AND C23 NEXT TO PIN 36
 C36 AND C24 NEXT TO PINS 12/13
 C37 AND C25 NEXT TO PINS 14/15