

5

4

3

2

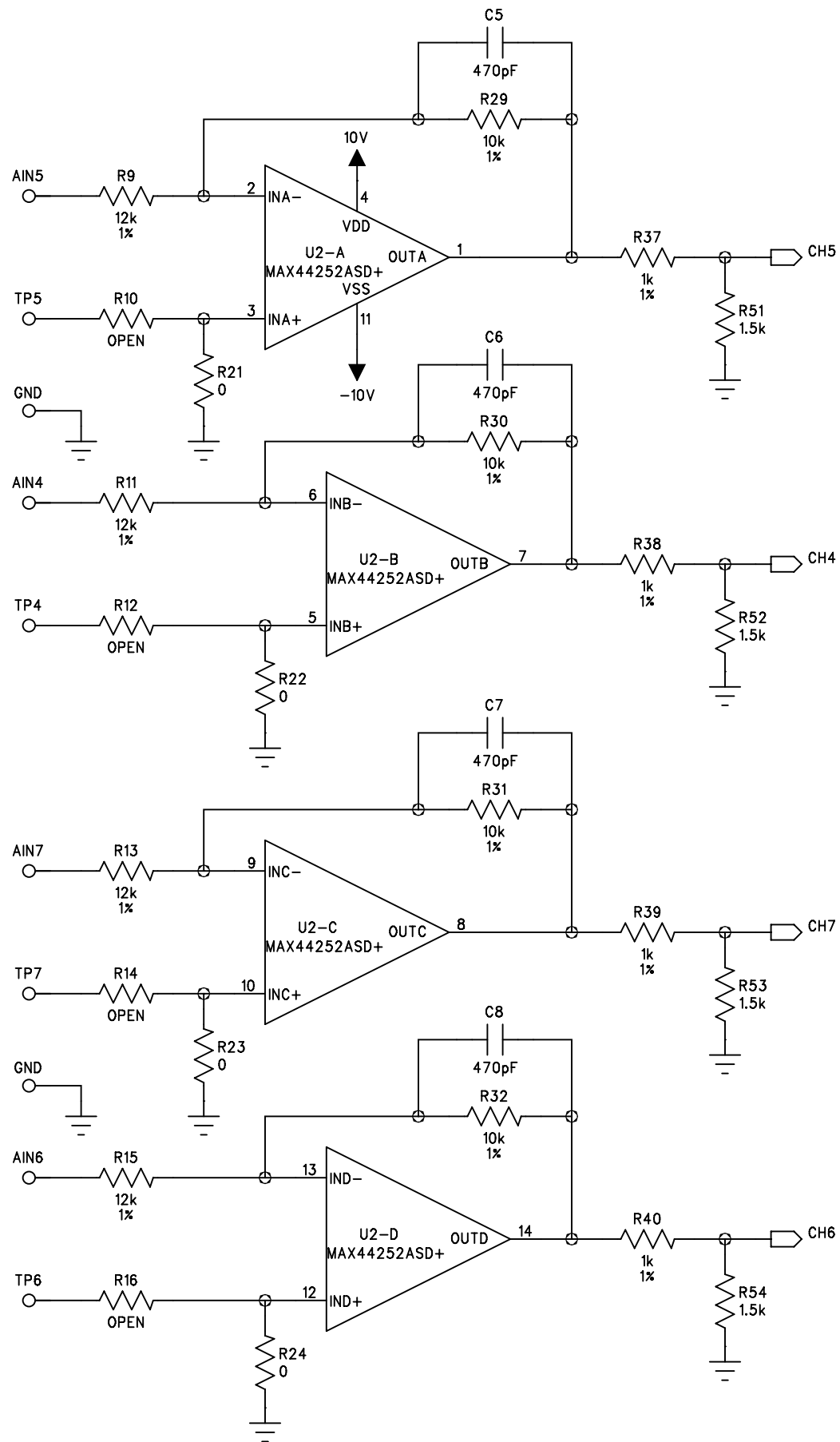
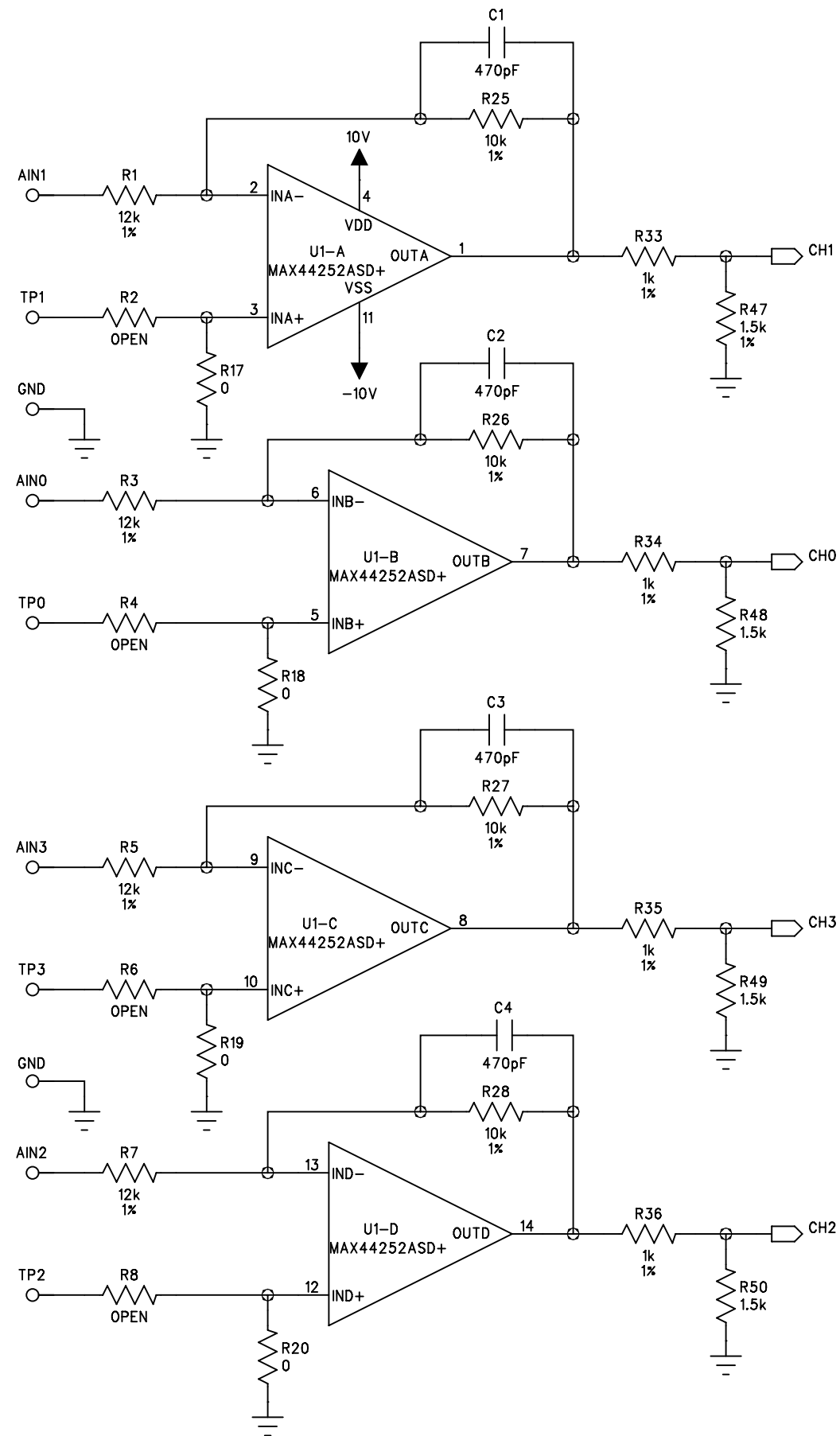
1

D

C

B

A



TITLE: PETALUMA (MAXREFDES30#) 8-Ch 16-bit Simultaneous Sampling AFE		REV: A
DRAWN: GL/OL	DATED: 1/27/2014	
PCB PART NUMBER: EPCBREFDES30		SHEET: 1 OF 4
APPROVAL		DATED:
REVISION:	DATED:	
REVISION:	DATED:	
REVISION:	DATED:	
REVISION:	DATED:	
REVISION:	DATED:	



5

4

3

2

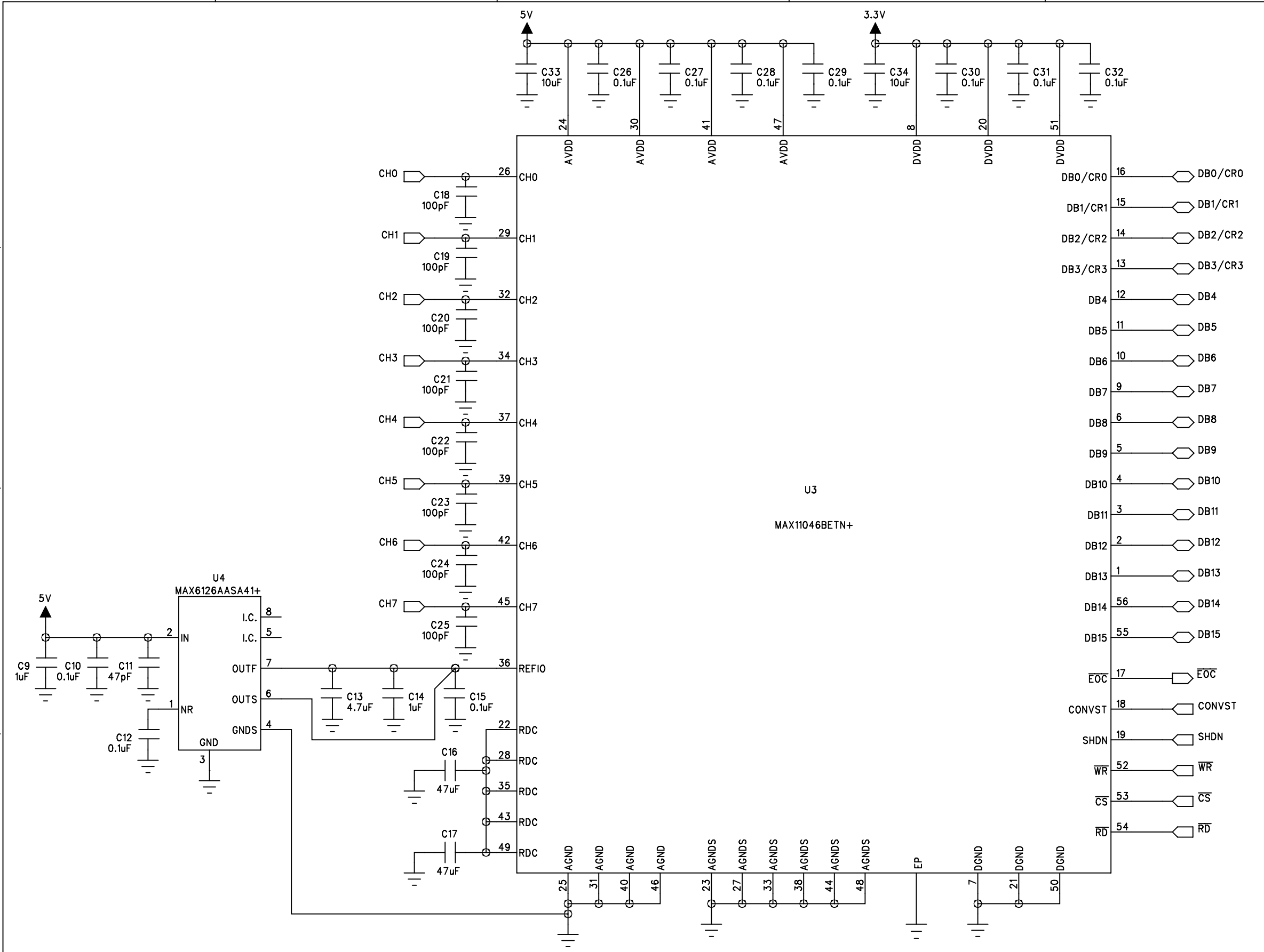
1

D

C

B

A



TITLE: PETALUMA (MAXREFDES30#) 8-Ch 16-bit Simultaneous Sampling AFE	REV: A
--	-----------

DRAWN: GL/OL	DATED: 1/27/2014
-----------------	---------------------

PCB PART NUMBER: EPCBREFDES30	SHEET: 3 OF 4
----------------------------------	---------------

APPROVAL	DATED:
----------	--------

REVISION:	DATED:
-----------	--------

REVISION:	DATED:
-----------	--------

REVISION:	DATED:
-----------	--------

REVISION:	DATED:
-----------	--------

REVISION:	DATED:
-----------	--------

REVISION:	DATED:
-----------	--------

5

4

3

2

1

D

C

B

A



TITLE: PETALUMA (MAXREFDES30#) 8-Ch 16-bit Simultaneous Sampling AFE	REV: A
--	-----------

DRAWN: GL/OL	DATED: 1/27/2014
-----------------	---------------------

PCB PART NUMBER: EPCBREFDES30	SHEET: 4 OF 4
----------------------------------	---------------

APPROVAL	DATED:
----------	--------

REVISION:	DATED:
-----------	--------

REVISION:	DATED:
-----------	--------

REVISION:	DATED:
-----------	--------

REVISION:	DATED:
-----------	--------

REVISION:	DATED:
-----------	--------

REVISION:	DATED:
-----------	--------

