

6

5

4

3

2

1

REVISION RECORD			
LT#	ECO NO:	APPROVER:	DATE:

D

C

B

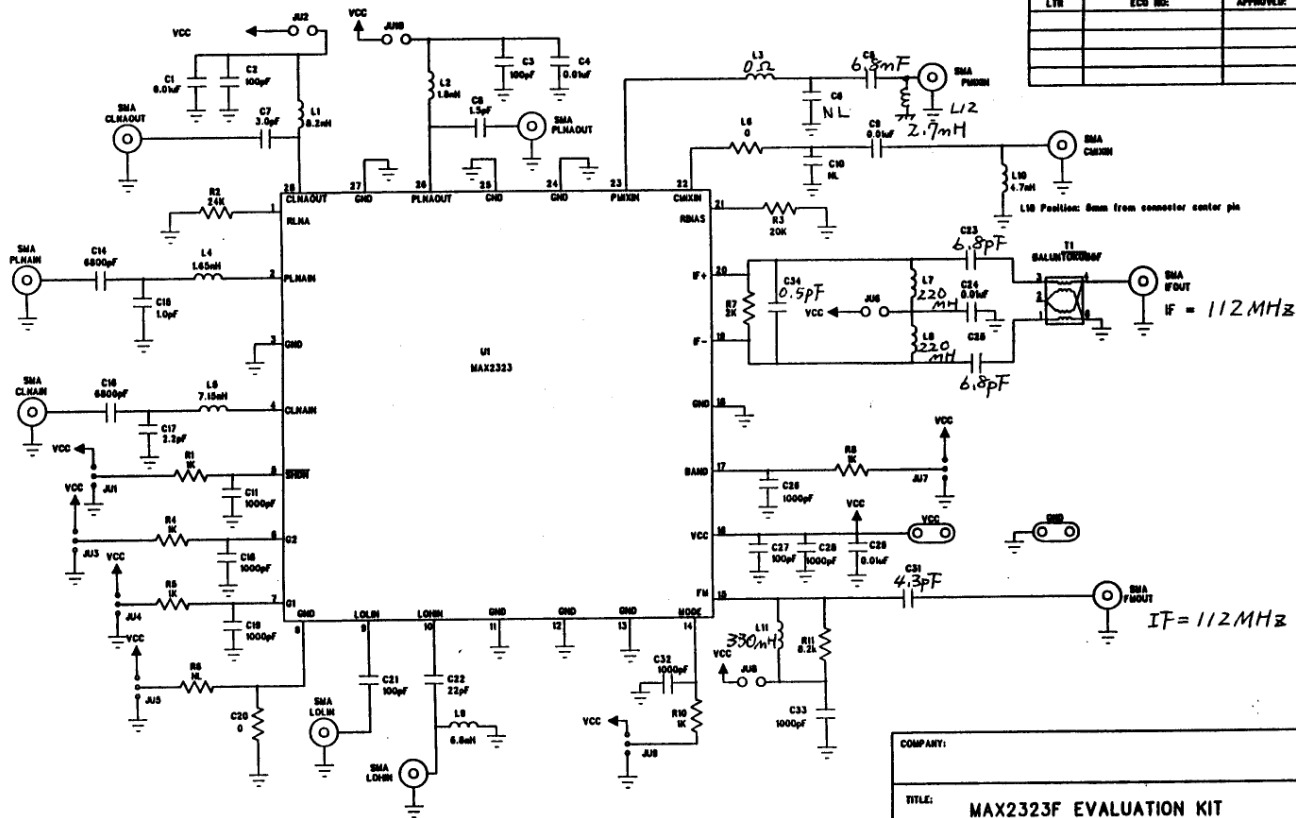
A

D

C

B

A



COMPANY:

TITLE:

MAX2323F EVALUATION KIT

REV:

1.0

SCALE:

SHEET: