

6

5

4

3

2

1

REVISION RECORD			
LTR	ECO NO:	APPROVED:	DATE:

D

D

C

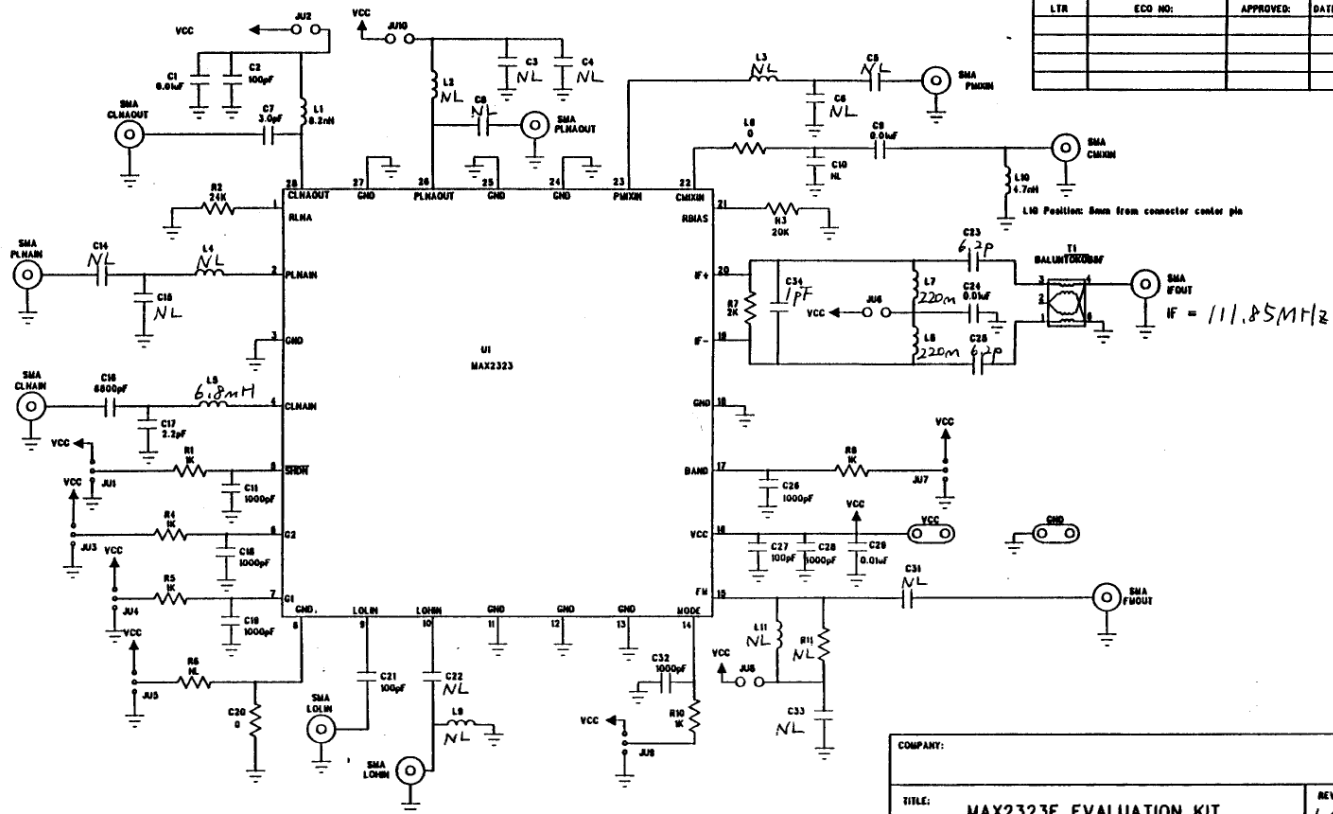
C

B

B

A

A



COMPANY:

TITLE:

MAX2323F EVALUATION KIT

REV:

1.0

SCALE:

SHEET: 1 OF 1