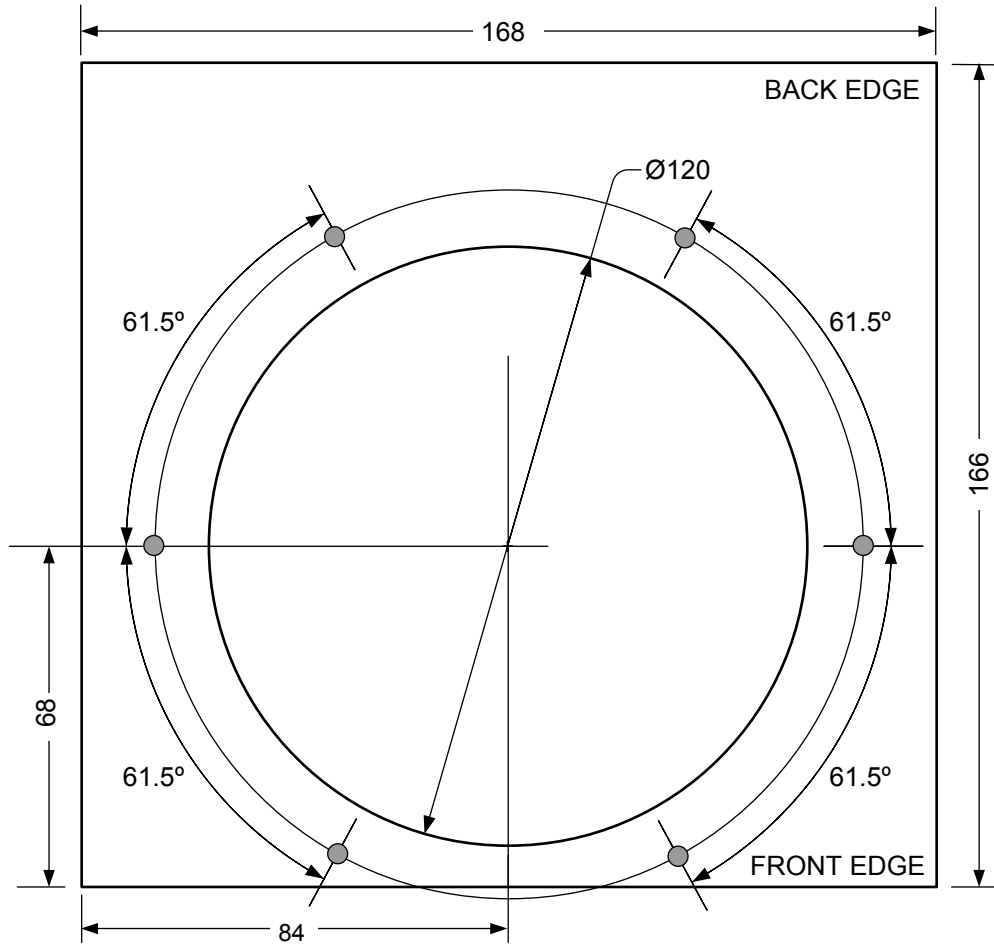
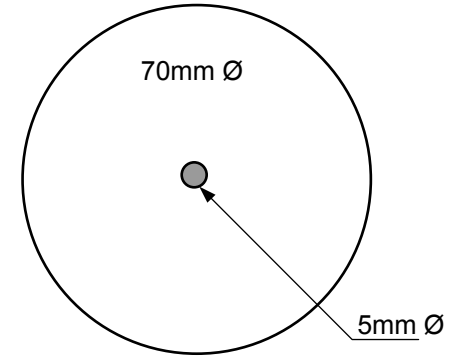


BRACKET: ONE PIECE, 8mm



TAPPED HOLES:
QTY 6 x M4 TAPPING,
SPACING DIAMETER 142mm,
61.5°, 57°, 61.5°

END COVER: TWO PIECES, 4mm



CYLINDER: TWO PIECES,
70mm OUTER DIAMETER,
3mm WALL THICKNESS

