

DOCUMENT TITLE:

**[PH/TH] [T&R/TEST PROD] STANDARD QUANTITY ON REEL AND ORIENTATION
OF TAPE AND REEL**

DOC ID # 04-4051

NEW REV: X

ECN#: PH-18-2758

EFFECTIVE DATE: 08/02/2018

ORIGINATOR: LEONARDO ONTIVEROS

MOST RECENT CHANGES

FROM	TO
Current revision	<p>Revised the following tables:</p> <p>7.4.3. For other SOIC Packages (0.208" and 0.330") - removed body size in pin count column.</p> <p>7.4.5. For SSOP Packages (0.209" and 0.300") - removed body size in pin count column.</p> <p>7.4.6. For TSSOP Packages (0.173" and 0.240") – removed body size in pin count column and added U56.</p> <p>7.4.10. For QFN Packages – removed body size in pin count column and added new package codes.</p> <p>7.4.12. For Thin QFN Packages - removed body size in pin count column and added new package codes.</p> <p>7.4.18. For uDFN Packages – added new package codes</p> <p>7.4.19. For Thin DFN Packages – removed body size in pin count column and added new package codes.</p> <p>7.4.21. For LGA Packages – removed body size in pin count column and added new package codes.</p> <p>7.4.23. For Thin and Ultra Thin LGA Packages - removed body size in pin count column and added new package codes.</p> <p>7.4.24. For LQFP / TQFP Packages – added body size and new package codes.</p>

- 7.4.25. For MQFP Packages - added body size and new package codes.
- 7.4.26. For PLCC Packages - added body size and new package codes.
- 7.4.27. For BGA Packages - added body size and new package codes.
- 7.4.29. TO92 Parts – added body size and new package codes.
- 7.4.31. For SOT Packages – added body size
- 7.4.33. For SC70 Packages – added body size
- 7.4.34. For SFN and Ultra SFN Packages – added body size and Ultra SFN

Added new tables:

- 7.4.11. For Extreme and Ultra TQFN Packages
- 7.4.13. For Sawn QFN Packages
- 7.4.14. For FC/FC2 QFN Packages
- 7.4.15. Routable QFN Packages
- 7.4.16. WL – QFN Packages
- 7.4.17. For Multi Row QFN (MRQ) Packages
- 7.4.20. For other DFN (DFN, Opto TDFN, Ultra TDFN) Packages
- 7.4.22. For Optical LGA Packages
- 7.4.32. For Thin SOT Packages

Revised Figures:

- 7.5.5. FIGURE 4: PLCC / TQFP / LQFP / MQFP / BGA / eMGA
- 7.5.7. FIGURE 6: T/QFN / OTDFN / T/DFN / MRQ / WLQFN / RQFN / FCQFN / FC2QFN
- 7.5.8. FIGURE 7: LGA / OLGA / Thin LGA

Maxim Integrated	TITLE: [PH/TH] [T&R/TEST PROD] STANDARD QUANTITY ON REEL AND ORIENTATION OF TAPE AND REEL		
	DOCUMENT I.D. 04-4051	REVISION X	PAGE 2

TABLE OF CONTENTS

PURPOSE 4

SCOPE 4

TERMS AND DEFINITIONS 4

APPLICABLE DOCUMENTS 4

EQUIPMENT AND MATERIALS 4

GENERAL REQUIREMENTS..... 4

SAFETY..... 4

HUMIDITY 4

PACKAGING REQUIREMENTS..... 4

STANDARD QUANTITY PER PACKAGE 5

TAPE AND REEL ORIENTATION..... 25

ACCEPTANCE 30

DISPOSITION OF MATERIAL 30

DATA RECORDING 30

MAINTENANCE 31

APPENDICES..... 31

REVISION HISTORY 32

Maxim Integrated	TITLE: [PH/TH] [T&R/TEST PROD] STANDARD QUANTITY ON REEL AND ORIENTATION OF TAPE AND REEL		
	DOCUMENT I.D. 04-4051	REVISION X	PAGE 3

1. **TITLE:** [PH/TH] [T&R/TEST PROD] STANDARD QUANTITY ON REEL AND ORIENTATION OF TAPE AND REEL
2. **PURPOSE:**
 - 2.1. To provide information on the different packaging requirement available per package type.
 - 2.2. To provide guideline for standard quantity per reel.
 - 2.3. To provide guideline for the proper orientation of different packages on carrier tape pocket.
 - 2.4. To be used as reference for Tape and Reel external website information
3. **SCOPE:**
 - 3.1. This procedure covers all package undergone Tape and Reel process.
4. **TERMS AND DEFINITIONS:** N/A
5. **APPLICABLE DOCUMENTS:**
 - 5.1. 07-4018 Processing of lots in Tape and Reel
6. **EQUIPMENT AND MATERIALS:**
 - 6.1. Tape & Reel Machines
 - 6.2. Peel Back Force Tester
 - 6.3. Carrier Tapes
 - 6.4. Cover Tapes
7. **GENERAL REQUIREMENTS:**
 - 7.1. SAFETY:
 - 7.1.1. Work must be done in an ESD safe work area.
 - 7.1.2. Operators must be properly grounded when handling parts.
 - 7.1.3. Hands must be kept away from the hot seal area and all moving parts.
 - 7.2. HUMIDITY:
 - 7.2.1. An acceptable humidity range is 35-60% RH.
 - 7.2.2. If the humidity level falls outside of this range, facilities will be contacted to correct this.
 - 7.3. PACKAGING REQUIREMENTS:
 - 7.3.1. Packaging must insure proper physical support and protection during handling, transportation and shipment.
 - 7.3.2. Packaging must provide adequate protection from handling (electrostatic discharge) and transportation hazards.
 - 7.3.3. Packaging must be easy to assembly, load and unload products in and from it.

Maxim Integrated	TITLE: [PH/TH] [T&R/TEST PROD] STANDARD QUANTITY ON REEL AND ORIENTATION OF TAPE AND REEL		
	DOCUMENT I.D. 04-4051	REVISION X	PAGE 4

7.4. STANDARD QUANTITY PER PACKAGE:

7.4.1. For SOIC (0.150") Packages

Package	Package Code	Pin Count	Carrier Tape		Quantity per Reel		Pin 1 Orientation	EIA481-D Standard
			Width	Pitch	7"	13"		
SOIC (0.150")	S14	14	16mm	12mm	N/A	2500	Quad 1 (Figure 2)	Quad 1
SOIC (0.150")	S16	16	16mm	12mm	N/A	2500	Quad 1 (Figure 2)	Quad 1
SOIC (0.150")	S8	8	12mm	8mm	N/A	2500	Quad 1 (Figure 2)	Quad 1

7.4.2. For SOIC (0.300") Packages

Package	Package Code	Pin Count	Carrier Tape		Quantity per Reel		Pin 1 Orientation	EIA481-D Standard
			Width	Pitch	7"	13"		
SOIC (0.300")	W16	16	16mm	12mm	N/A	1000	Quad 1 (Figure 2)	Quad 1
SOIC (0.300")	W18	18	24mm	16mm	N/A	1000	Quad 1 (Figure 2)	Quad 1
SOIC (0.300")	W20	20	24mm	12mm	N/A	1000	Quad 1 (Figure 2)	Quad 1
SOIC (0.300")	W24	24	24mm	12mm	N/A	1000	Quad 1 (Figure 2)	Quad 1
SOIC (0.300")	W28	28	24mm	12mm	N/A	1000	Quad 1 (Figure 2)	Quad 1

7.4.3. For other SOIC Packages (0.208" and 0.330")

Package	Package Code	Pin Count	Carrier Tape		Quantity per Reel		Pin 1 Orientation	EIA481-D Standard
			Width	Pitch	7"	13"		
SOIC (0.330")	F28	28	24mm	20mm	N/A	1000	Quad 1 (Figure 2)	Quad 1
SOIC (0.208")	W8	8	16mm	12mm	N/A	2000	Quad 1 (Figure 2)	Quad 1

7.4.4. For QSOP (0.150") Packages

Package	Package Code	Pin Count	Carrier Tape		Quantity per Reel		Pin 1 Orientation	EIA481-D Standard
			Width	Pitch	7"	13"		
QSOP (0.150")	E16	16	12mm	8mm	N/A	2500	Quad 1 (Figure 2)	Quad 1
QSOP (0.150")	E20	20	16mm	8mm	N/A	2500	Quad 1 (Figure 2)	Quad 1
QSOP (0.150")	E24	24	16mm	8mm	N/A	2500	Quad 1 (Figure 2)	Quad 1
QSOP (0.150")	E28	28	16mm	8mm	N/A	2500	Quad 1 (Figure 2)	Quad 1

7.4.5. For SSOP Packages (0.209" and 0.300")

Package	Package Code	Pin Count	Carrier Tape		Quantity per Reel		Pin 1 Orientation	EIA481-D Standard
			Width	Pitch	7"	13"		
SSOP (0.209")	A14	14	16mm	12mm	N/A	2000	Quad 1 (Figure 2)	Quad 1
SSOP (0.209")	A16	16	16mm	12mm	N/A	2000	Quad 1 (Figure 2)	Quad 1
SSOP (0.209")	A20	20	16mm	12mm	N/A	2000	Quad 1 (Figure 2)	Quad 1
SSOP (0.209")	A24	24	16mm	12mm	N/A	2000	Quad 1 (Figure 2)	Quad 1
SSOP (0.209")	A28	28	16mm	12mm	N/A	2000	Quad 1 (Figure 2)	Quad 1
SSOP (0.300")	A36	36	24mm	12mm	N/A	1000	Quad 1 (Figure 2)	Quad 1

Maxim Integrated	TITLE: [PH/TH] [T&R/TEST PROD] STANDARD QUANTITY ON REEL AND ORIENTATION OF TAPE AND REEL		
	DOCUMENT I.D. 04-4051	REVISION X	PAGE 5

SSOP (0.300")	A44	44	24mm	12mm	N/A	1000	Quad 1 (Figure 2)	Quad 1
SSOP (0.300")	A48	48	24mm	12mm	N/A	1000	Quad 1 (Figure 2)	Quad 1

7.4.6. For TSSOP Packages (0.173" and 0.240")

Package	Package Code	Pin Count	Carrier Tape		Quantity per Reel		Pin 1 Orientation	EIA481-D Standard
			Width	Pitch	7"	13"		
TSSOP (0.173")	H8	8	12mm	8mm	N/A	2500	Quad 1 (Figure 2)	Quad 1
TSSOP (0.173")	U14	14	16mm	8mm	N/A	2500	Quad 1 (Figure 2)	Quad 1
TSSOP (0.173")	U16	16	16mm	8mm	N/A	2500	Quad 1 (Figure 2)	Quad 1
TSSOP (0.173")	U20	20	16mm	8mm	N/A	2500	Quad 1 (Figure 2)	Quad 1
TSSOP (0.173")	U24	24	16mm	8mm	N/A	2500	Quad 1 (Figure 2)	Quad 1
TSSOP (0.173")	U28	28	16mm	8mm	N/A	2500	Quad 1 (Figure 2)	Quad 1
TSSOP (0.173")	U38	38	16mm	8mm	N/A	2500	Quad 1 (Figure 2)	Quad 1
TSSOP (0.240")	U48	48	24mm	12mm	N/A	2500	Quad 1 (Figure 2)	Quad 1
TSSOP (0.240")	U56	56	24mm	12mm	N/A	2500	Quad 1 (Figure 2)	Quad 1

7.4.7. For TSOP Packages (8 x 13.4)

Package	Package Code	Pin Count	Carrier Tape		Quantity per Reel		Pin 1 Orientation	EIA481-D Standard
			Width	Pitch	7"	13"		
TSOP (8x13.4)	Z28	28	24mm	12mm	N/A	2500	Quad 1 (Figure 2)	Quad 1

7.4.8. For TSOC Packages (0.150")

Package	Package Code	Pin Count	Carrier Tape		Quantity per Reel		Pin 1 Orientation	EIA481-D Standard
			Width	Pitch	7"	13"		
TSOC (0.150")	D6	6	12mm	8mm	N/A	4000	Quad 1 (Figure 2)	Quad 1

7.4.9. For MSOP Packages (0.118")

Package	Package Code	Pin Count	Carrier Tape		Quantity per Reel		Pin 1 Orientation	EIA481-D Standard
			Width	Pitch	7"	13"		
MSOP (0.118")	U8	8	12mm	8mm	N/A	2500/3000	Quad 1 (Figure 2)	Quad 1
MSOP (0.118")	U10	10	12mm	8mm	N/A	2500/3000	Quad 1 (Figure 2)	Quad 1

7.4.10. For QFN Packages

Package	Package Code	Pin Count	Carrier Tape		Quantity per Reel		Pin 1 Orientation	EIA481-D Standard
			Width	Pitch	7"	13"		
QFN 3x3	G833	8	12mm	8mm	N/A	2500	Quad 1 (Figure 6)	Quad 2
QFN 3x3	G1233	12	12mm	8mm	N/A	2500	Quad 1 (Figure 6)	Quad 2
QFN 3x3	G1633	16	12mm	8mm	N/A	2500	Quad 1 (Figure 6)	Quad 2
QFN 4x4	G1244	12	12mm	8mm	N/A	2500	Quad 1 (Figure 6)	Quad 2
QFN 4x4	G1644	16	12mm	8mm	N/A	2500	Quad 1 (Figure 6)	Quad 2
QFN 4x4	G2044	20	12mm	8mm	N/A	2500	Quad 1 (Figure 6)	Quad 2
QFN 4x4	G2444	24	12mm	8mm	N/A	2500	Quad 1 (Figure 6)	Quad 2
QFN 5x5	G1655	16	12mm	8mm	N/A	2500	Quad 1 (Figure 6)	Quad 2

Maxim Integrated

TITLE: [PH/TH] [T&R/TEST PROD] STANDARD QUANTITY ON REEL AND ORIENTATION OF TAPE AND REEL

DOCUMENT I.D.
04-4051

REVISION
X

PAGE
6

QFN 5x5	G2055	20	12mm	8mm	N/A	2500	Quad 1 (Figure 6)	Quad 2
QFN 5x5	G2855	28	12mm	8mm	N/A	2500	Quad 1 (Figure 6)	Quad 2
QFN 5x5	G3255	32	12mm	8mm	N/A	2500	Quad 1 (Figure 6)	Quad 2
QFN 5x5	G3655	36	12mm	8mm	N/A	2500	Quad 1 (Figure 6)	Quad 2
QFN 5x6	G2356	23	16mm	12mm	N/A	2500	Quad 1 (Figure 6)	Quad 2
QFN 6x6	G3666	36	16mm	12mm	N/A	2500	Quad 1 (Figure 6)	Quad 2
QFN 6x6	G4066	40	16mm	12mm	N/A	2500	Quad 1 (Figure 6)	Quad 2
QFN 6x6	G4866	48	16mm	12mm	N/A	2500	Quad 1 (Figure 6)	Quad 2
QFN 7x7	G3277	32	16mm	12mm	N/A	2500	Quad 1 (Figure 6)	Quad 2
QFN 7x7	G4477	44	16mm	12mm	N/A	2500	Quad 1 (Figure 6)	Quad 2
QFN 7x7	G4877	48	16mm	12mm	N/A	2500	Quad 1 (Figure 6)	Quad 2
QFN 7x7	G5677	56	16mm	12mm	N/A	2500	Quad 1 (Figure 6)	Quad 2
QFN 8x8	G4288	42	16mm	12mm	N/A	2500	Quad 1 (Figure 6)	Quad 2
QFN 8x8	G5288	52	16mm	12mm	N/A	2500	Quad 1 (Figure 6)	Quad 2
QFN 8x8	G5688	56	16mm	12mm	N/A	2500	Quad 1 (Figure 6)	Quad 2
QFN 8x8	G6888	68	16mm	12mm	N/A	2500	Quad 1 (Figure 6)	Quad 2
QFN 9x9	G6499	64	16mm	12mm	N/A	2500	Quad 1 (Figure 6)	Quad 2
QFN 10x10	G6800	68	24mm	16mm	N/A	2500	Quad 1 (Figure 6)	Quad 2
QFN 11x11	K8011	80	24mm	16mm	500	N/A	Quad 1 (Figure 6)	Quad 2

7.4.11. For Extreme and Ultra TQFN Packages

Package	Package Code	Pin Count	Carrier Tape		Quantity per Reel		Pin 1 Orientation	EIA481-D Standard
			Width	Pitch	7"	13"		
Extreme TQFN 3x3	E1633	16	8mm	4mm	2500	N/A	Quad 1 (Figure 6)	Quad 2
Ultra TQFN 1.4x1.8	V101A1	10	8mm	4mm	2500	N/A	Quad 1 (Figure 6)	Quad 1
Ultra TQFN 2.1x1.6	V101A2	10	8mm	4mm	2500	N/A	Quad 1 (Figure 6)	Quad 1
Ultra TQFN 2.5x2.5	V162A2	10	8mm	4mm	2500	N/A	Quad 1 (Figure 6)	Quad 2
Ultra TQFN 3.5x4.5	V283A4	28	12mm	8mm	N/A	5000	Quad 1 (Figure 6)	Quad 1
Ultra TQFN 6x6	V4866	48	16mm	12mm	N/A	2500	Quad 1 (Figure 6)	Quad 2

7.4.12. For Thin QFN Packages

Package	Package Code	Pin Count	Carrier Tape		Quantity per Reel		Pin 1 Orientation	EIA481-D Standard
			Width	Pitch	7"	13"		
Thin QFN 3x3	T1233	12	8mm	4mm	2500	N/A	Quad 1 (Figure 6)	Quad 2
Thin QFN 3x3	T1633	16	8mm	4mm	2500	N/A	Quad 1 (Figure 6)	Quad 2
Thin QFN 3x3	TQ833	8	8mm	4mm	2500	N/A	Quad 1 (Figure 6)	Quad 2
Thin QFN 3x3	T2433	24	8mm	4mm	2500	N/A	Quad 1 (Figure 6)	Quad 2
Thin QFN 3.5x3.5	T243A3	24	12mm	8mm	N/A	2500	Quad 1 (Figure 6)	Quad 2
Thin QFN 3.5x3.5	T203A3	20	12mm	8mm	N/A	2500	Quad 1 (Figure 6)	Quad 2
Thin QFN 3.5x5.5	T283555	28	12mm	8mm	N/A	2500	Quad 1 (Figure 6)	Quad 1

Maxim Integrated

TITLE: [PH/TH] [T&R/TEST PROD] STANDARD QUANTITY ON REEL AND ORIENTATION OF TAPE AND REEL

DOCUMENT I.D.
04-4051

REVISION
X

PAGE
7

Thin QFN 3.5x5.5	T283A5	28	12mm	8mm	N/A	2500	Quad 1 (Figure 6)	Quad 1
Thin QFN 3.5x9	T423590	42	16mm	8mm	N/A	2500	Quad 1 (Figure 6)	Quad 1
Thin QFN 4x4	T1244	12	12mm	8mm	N/A	2500	Quad 1 (Figure 6)	Quad 2
Thin QFN 4x4	T1644	16	12mm	8mm	N/A	2500	Quad 1 (Figure 6)	Quad 2
Thin QFN 4x4	T2044	20	12mm	8mm	N/A	2500	Quad 1 (Figure 6)	Quad 2
Thin QFN 4x4	T2444	24	12mm	8mm	N/A	2500	Quad 1 (Figure 6)	Quad 2
Thin QFN 4x4	T2844	28	12mm	8mm	N/A	2500	Quad 1 (Figure 6)	Quad 2
Thin QFN 4x4	T3244	32	12mm	8mm	N/A	2500	Quad 1 (Figure 6)	Quad 2
Thin QFN 4x5	T2045	20	12mm	8mm	N/A	2500	Quad 1 (Figure 6)	Quad 1
Thin QFN 4x5	T2445	24	12mm	8mm	N/A	2500	Quad 1 (Figure 6)	Quad 1
Thin QFN 4x5	T3645	36	12mm	8mm	N/A	2500	Quad 2 (Figure 6)	Quad 1
Thin QFN 5x5	T1655	16	12mm	8mm	N/A	2500	Quad 1 (Figure 6)	Quad 2
Thin QFN 5x5	T2055	20	12mm	8mm	N/A	2500	Quad 1 (Figure 6)	Quad 2
Thin QFN 5x5	T2855	28	12mm	8mm	N/A	2500	Quad 1 (Figure 6)	Quad 2
Thin QFN 5x5	T3255	32	12mm	8mm	N/A	2500	Quad 1 (Figure 6)	Quad 2
Thin QFN 5x5	T4055	40	12mm	8mm	N/A	2500	Quad 1 (Figure 6)	Quad 2
Thin QFN 5x6	T3256	32	16mm	12mm	N/A	2500	Quad 1 (Figure 6)	Quad 1
Thin QFN 5x7	T3857	38	16mm	8mm	N/A	2500	Quad 1 (Figure 6)	Quad 1
Thin QFN 5x11	T56511	56	24mm	12mm	N/A	2500	Quad 1 (Figure 6)	Quad 1
Thin QFN 6x6	T3666	36	16mm	12mm	N/A	2500	Quad 1 (Figure 6)	Quad 2
Thin QFN 6x6	T4066	40	16mm	12mm	N/A	2500	Quad 1 (Figure 6)	Quad 2
Thin QFN 6x6	T4866	48	16mm	12mm	N/A	2500	Quad 1 (Figure 6)	Quad 2
Thin QFN 6x8	T4868	48	16mm	12mm	N/A	2500	Quad 1 (Figure 6)	Quad 2
Thin QFN 7x7	T3277	32	16mm	12mm	N/A	2500	Quad 1 (Figure 6)	Quad 2
Thin QFN 7x7	T4477	44	16mm	12mm	N/A	2500	Quad 1 (Figure 6)	Quad 2
Thin QFN 7x7	T4877	48	16mm	12mm	N/A	2500	Quad 1 (Figure 6)	Quad 2
Thin QFN 7x7	T5677	56	16mm	12mm	N/A	2500	Quad 1 (Figure 6)	Quad 2
Thin QFN 8x6	T4886	48	16mm	12mm	N/A	2500	Quad 1 (Figure 6)	Quad 1
Thin QFN 8x8	T5688	56	16mm	12mm	N/A	2500	Quad 1 (Figure 6)	Quad 2
Thin QFN 8x8	T6888	68	16mm	12mm	N/A	2500	Quad 1 (Figure 6)	Quad 2
Thin QFN 9x9	T6499	64	16mm	12mm	N/A	2500	Quad 1 (Figure 6)	Quad 2
Thin QFN 10x10	T6800	68	24mm	16mm	N/A	2500	Quad 1 (Figure 6)	Quad 2

7.4.13. For Sawn QFN Packages

Package	Package Code	Pin Count	Carrier Tape		Quantity per Reel		Pin 1 Orientation	EIA481-D Standard
			Width	Pitch	7"	13"		
Sawn QFN 4x4	K2844	28	12mm	8mm	N/A	2500	Quad 1 (Figure 6)	Quad 2
Sawn QFN 5x5	K3255	32	12mm	8mm	N/A	2500	Quad 1 (Figure 6)	Quad 2
Sawn QFN 6x6	K3666	36	16mm	12mm	N/A	2500	Quad 1 (Figure 6)	Quad 2
Sawn QFN 6x6	K4866	48	16mm	12mm	N/A	2500	Quad 1 (Figure 6)	Quad 2
Sawn QFN 7x7	K4877	48	16mm	12mm	N/A	2500	Quad 1 (Figure 6)	Quad 2
Sawn QFN 9x9	K6499	64	16mm	12mm	N/A	2500	Quad 1 (Figure 6)	Quad 2
Sawn QFN 11x11	K8011	80	24mm	16mm	N/A	2500	Quad 1 (Figure 6)	Quad 2

7.4.14. For FC/FC2 QFN Packages

Maxim Integrated	TITLE: [PH/TH] [T&R/TEST PROD] STANDARD QUANTITY ON REEL AND ORIENTATION OF TAPE AND REEL		
	DOCUMENT I.D. 04-4051	REVISION X	PAGE 8

Package	Package Code	Pin Count	Carrier Tape		Quantity per Reel		Pin 1 Orientation	EIA481-D Standard
			Width	Pitch	7"	13"		
FCQFN 2.7x4.2	P122A4	12	12mm	8mm	N/A	2500	Quad 1 (Figure 6)	Quad 1
FCQFN 2.7x6.2	P162A6	16	12mm	8mm	N/A	2500	Quad 1 (Figure 6)	Quad 1
FCQFN 3.1x2.85	P133B2	13	12mm	8mm	N/A	2500	Quad 1 (Figure 6)	Quad 1
FCQFN 3.25x2.5	P133A2	13	12mm	8mm	N/A	2500	Quad 1 (Figure 6)	Quad 1
FCQFN 3.25x3.5	P153A3	15	12mm	8mm	N/A	2500	Quad 1 (Figure 6)	Quad 1
FCQFN 3.25x3.75	P173A3	17	12mm	8mm	N/A	2500	Quad 1 (Figure 6)	Quad 1
FCQFN 3.25x4.5	P173A4	17	12mm	8mm	N/A	2500	Quad 1 (Figure 6)	Quad 1
FCQFN 3.25x6.5	P213A6	21	16mm	8mm	N/A	2500	Quad 1 (Figure 6)	Quad 1
FCQFN 3.25x8.5	P223A8	22	16mm	8mm	N/A	2500	Quad 1 (Figure 6)	Quad 1
FCQFN 3.25x8.75	P223B8	22	16mm	8mm	N/A	2500	Quad 1 (Figure 6)	Quad 1
FCQFN 3.5x8.1	P203A8	20	16mm	8mm	N/A	2500	Quad 1 (Figure 6)	Quad 1
FCQFN 3.75x3.5	P153B3	15	12mm	8mm	N/A	2500	Quad 1 (Figure 6)	Quad 1
FCQFN 3.75x4	P123A4	12	12mm	8mm	N/A	2500	Quad 1 (Figure 6)	Quad 1
FCQFN 3.75x4	P163B4	16	12mm	8mm	N/A	2500	Quad 1 (Figure 6)	Quad 1
FCQFN 3.75x5	P143A5	14	12mm	8mm	N/A	2500	Quad 1 (Figure 6)	Quad 1
FCQFN 3.75x5	P183A5	18	12mm	8mm	N/A	2500	Quad 1 (Figure 6)	Quad 1
FCQFN 3.75x6	P163A6	16	12mm	8mm	N/A	2500	Quad 1 (Figure 6)	Quad 1
FCQFN 3.75x6	P203A6	20	12mm	8mm	N/A	2500	Quad 1 (Figure 6)	Quad 1
FCQFN 4x4.5	P94A4	9	12mm	8mm	N/A	2500	Quad 1 (Figure 6)	Quad 1
FCQFN 4x4.5	P174A4	17	12mm	8mm	N/A	2500	Quad 1 (Figure 6)	Quad 1
FCQFN 4x4.5	P184A4	18	12mm	8mm	N/A	2500	Quad 1 (Figure 6)	Quad 1
FCQFN 4x5	P1845	18	12mm	8mm	N/A	2500	Quad 1 (Figure 6)	Quad 1
FCQFN 4x5.5	P194A5	19	12mm	8mm	N/A	2500	Quad 1 (Figure 6)	Quad 1
FCQFN 4x6.5	P214A6	21	12mm	8mm	N/A	2500	Quad 1 (Figure 6)	Quad 1
FCQFN 4x6.5	P224A6	22	12mm	8mm	N/A	2500	Quad 1 (Figure 6)	Quad 1
FCQFN 4.15x6	P104A6	10	12mm	8mm	N/A	2500	Quad 1 (Figure 6)	Quad 1
FCQFN 4.15x6	P154A6	15	12mm	8mm	N/A	2500	Quad 1 (Figure 6)	Quad 1
FCQFN 4.15x6	P174A6	17	12mm	8mm	N/A	2500	Quad 1 (Figure 6)	Quad 1
FCQFN 4.15x8	P154A8	15	24mm	8mm	N/A	2500	Quad 1 (Figure 6)	Quad 1
FCQFN 4.15x8.75	P164A8	16	24mm	8mm	N/A	2500	Quad 1 (Figure 6)	Quad 1
FCQFN 4.15x9	P154A9	15	24mm	8mm	N/A	2500	Quad 1 (Figure 6)	Quad 1
FCQFN 4.15x9	P234A9	23	24mm	8mm	N/A	2500	Quad 1 (Figure 6)	Quad 1
FCQFN 4.5x4.5	P194A4	19	12mm	8mm	N/A	2500	Quad 1 (Figure 6)	Quad 2
FCQFN 4.5x5.5	P214A5	21	12mm	8mm	N/A	2500	Quad 1 (Figure 6)	Quad 1
FCQFN 4.5x6.5	P234A6	23	16mm	8mm	N/A	2500	Quad 1 (Figure 6)	Quad 1
FCQFN 5x6.5	P105A6	10	16mm	8mm	N/A	2500	Quad 1 (Figure 6)	Quad 1
FCQFN 5.8x3	P105A3	10	12mm	8mm	N/A	2500	Quad 1 (Figure 6)	Quad 1
FCQFN 7.5x5.25	P197A5	19	16mm	8mm	N/A	2500	Quad 1 (Figure 6)	Quad 1
FC2QFN 1.25x1.25	F41A1	4	8mm	4mm	2500	N/A	Quad 1 (Figure 6)	Quad 2
FC2QFN 1.25x1.25	F61A1	6	8mm	4mm	2500	N/A	Quad 1 (Figure 6)	Quad 2
FC2QFN 2.5x2.5	F122A2	12	8mm	4mm	2500	N/A	Quad 1 (Figure 6)	Quad 2
FC2QFN 3x2.5	F182A3	18	12mm	8mm	N/A	2500	Quad 1 (Figure 6)	Quad 1

Maxim Integrated

TITLE: [PH/TH] [T&R/TEST PROD] STANDARD QUANTITY ON REEL AND ORIENTATION OF TAPE AND REEL

DOCUMENT I.D.
04-4051

REVISION
X

PAGE
9

FC2QFN 3x3	F103A3	10	12mm	8mm	N/A	2500	Quad 1 (Figure 6)	Quad 2
FC2QFN 3x3	F223A3	22	12mm	8mm	N/A	2500	Quad 1 (Figure 6)	Quad 2
FC2QFN 3.5x3.5	F143A3	14	12mm	8mm	N/A	2500	Quad 1 (Figure 6)	Quad 2
FC2QFN 3.5x3.75	F153A3	15	12mm	8mm	N/A	2500	Quad 2 (Figure 6)	Quad 1
FC2QFN 3.5x3.75	F173A3	17	12mm	8mm	N/A	2500	Quad 2 (Figure 6)	Quad 1
FC2QFN 3.5x5	F203A5	20	12mm	8mm	N/A	2500	Quad 1 (Figure 6)	Quad 1
FC2QFN 3.5x6	F213A6	21	16mm	8mm	N/A	2500	Quad 1 (Figure 6)	Quad 1
FC2QFN 3.5x6	F273A6	27	16mm	8mm	N/A	2500	Quad 1 (Figure 6)	Quad 1
FC2QFN 3.25x9.25	F183A9	18	24mm	8mm	N/A	2500	Quad 1 (Figure 6)	Quad 1
FC2QFN 4x4	F304A4	30	12mm	8mm	N/A	2500	Quad 1 (Figure 6)	Quad 2
FC2QFN 4x5	F174A5	17	12mm	8mm	N/A	2500	Quad 1 (Figure 6)	Quad 1
FC2QFN 4x10.5	F354A10	35	24mm	8mm	N/A	2500	Quad 1 (Figure 6)	Quad 1
FC2QFN 4x10.75	F174A10	17	24mm	8mm	N/A	2500	Quad 1 (Figure 6)	Quad 1
FC2QFN 4x10.75	F314A10	31	24mm	8mm	N/A	2500	Quad 1 (Figure 6)	Quad 1
FC2QFN 6x6	F486A6	48	16mm	12mm	N/A	2500	Quad 1 (Figure 6)	Quad 2
FC2QFN 6.5x3.5	F286A3	28	16mm	8mm	N/A	2500	Quad 1 (Figure 6)	Quad 1
FC2QFN 7.4x3.25	F123A7	12	24mm	8mm	N/A	2500	Quad 1 (Figure 6)	Quad 1
FC2QFN 7.75x3.5	F183A7	18	16mm	8mm	N/A	2500	Quad 1 (Figure 6)	Quad 1
FC2QFN 7.75x3.5	F183B7	18	16mm	8mm	N/A	2500	Quad 1 (Figure 6)	Quad 1
FC2QFN 7.75x3.5	F283A7	28	16mm	8mm	N/A	2500	Quad 1 (Figure 6)	Quad 1
FC2QFN 7.75x3.5	F327A3	32	16mm	8mm	N/A	2500	Quad 1 (Figure 6)	Quad 1
FC2QFN 8.5x5	F168A5	16	16mm	12mm	N/A	1000	Quad 1 (Figure 6)	Quad 1

7.4.15. Routable QFN Packages

Package	Package Code	Pin Count	Carrier Tape		Quantity per Reel		Pin 1 Orientation	EIA481-D Standard
			Width	Pitch	7"	13"		
RQFN 10x6	R70610	70	16mm	12mm	N/A	2500	Quad 2 (Figure 6)	Quad 1

7.4.16. WL – QFN Packages

Package	Package Code	Pin Count	Carrier Tape		Quantity per Reel		Pin 1 Orientation	EIA481-D Standard
			Width	Pitch	7"	13"		
WL-QFN 5x3.2	A253A5	25	12mm	8mm	N/A	2500	Quad 2 (Figure 6)	Quad 1
WL-QFN 3.56x2.1	A282A3	28	12mm	8mm	N/A	2500	Quad 2 (Figure 6)	Quad 1
WL-QFN 5.39x3.87	A253A5	25	12mm	8mm	N/A	2500	Quad 2 (Figure 6)	Quad 1
WL-QFN 3.85x3.85	A313A3	31	12mm	8mm	N/A	2500	Quad 1 (Figure 6)	Quad 2

Maxim Integrated	TITLE: [PH/TH] [T&R/TEST PROD] STANDARD QUANTITY ON REEL AND ORIENTATION OF TAPE AND REEL		
	DOCUMENT I.D. 04-4051	REVISION X	PAGE 10

7.4.17. For Multi Row QFN (MRQ) Packages

Package	Package Code	Pin Count	Carrier Tape		Quantity per Reel		Pin 1 Orientation	EIA481-D Standard
			Width	Pitch	7"	13"		
MRQ 7x7	GM7677	76	16mm	12mm	N/A	2500	Quad 1 (Figure 6)	Quad 2
MRQ 8x8	GM8688	86	16mm	12mm	N/A	2500	Quad 1 (Figure 6)	Quad 2
MRQ 9x9	GM9299	92	16mm	12mm	N/A	2500	Quad 1 (Figure 6)	Quad 2
MRQ 11x11	G14011	140	24mm	16mm	N/A	2000	Quad 1 (Figure 6)	Quad 2

7.4.18. For uDFN Packages

Package	Package Code	Pin Count	Carrier Tape		Quantity per Reel		Pin 1 Orientation	EIA481-D Standard
			Width	Pitch	7"	13"		
uDFN 2x2	V82A2	8	8mm	4mm	2500	N/A	Quad 1 (Figure 6)	Quad 2
uDFN 1.4x1.8	V101A1CN	10	8mm	4mm	2500	N/A	Quad 1 (Figure 6)	Quad 2
uDFN 2.5x2.5	V162A2	16	8mm	4mm	2500	N/A	Quad 1 (Figure 6)	Quad 2
uDFN 1.5x1	L611	6	8mm	4mm	2500	N/A	Quad 1 ((Figure 6)	Quad 1
uDFN 2x2	L1022	10	8mm	4mm	2500	N/A	Quad 1 (Figure 6)	Quad 2
uDFN 2x2	L822	8	8mm	4mm	2500	N/A	Quad 1 (Figure 6)	Quad 2
uDFN 2x2	L622	6	8mm	4mm	2500	N/A	Quad 1 (Figure 6)	Quad 2
uDFN 3x3	L633	6	8mm	4mm	2500	N/A	Quad 1 (Figure 6)	Quad 2

7.4.19. For Thin DFN (TDFN) Packages – revised all table

Package	Package Code	Pin Count	Carrier Tape		Quantity per Reel		Pin 1 Orientation	EIA481-D Standard
			Width	Pitch	7"	13"		
TDFN 2x2	T622	6	8mm	4mm	2500	N/A	Quad 1 (Figure 6)	Quad 2
TDFN 2x2	T822	8	8mm	4mm	2500	N/A	Quad 1 (Figure 6)	Quad 2
TDFN 2x3	T823	8	8mm	4mm	2500	N/A	Quad 2 (Figure 6)	Quad 1
TDFN 2x3	T1623	16	8mm	4mm	2500	N/A	Quad 2 (Figure 6)	Quad 1
TDFN 2.5x2	T102A2	10	8mm	4mm	2500	N/A	Quad 1 (Figure 6)	Quad 1
TDFN 3x2	T1032	10	8mm	4mm	2500	N/A	Quad 1 (Figure 6)	Quad 1
TDFN 3x3	T633	6	8mm	4mm	2500	N/A	Quad 1 (Figure 6)	Quad 2
TDFN 3x3	T833	8	8mm	4mm	2500	N/A	Quad 1 (Figure 6)	Quad 2
TDFN 3x3	T1033	10	8mm	4mm	2500	N/A	Quad 1 (Figure 6)	Quad 2
TDFN 3x3	TD1233	12	8mm	4mm	2500	N/A	Quad 1 (Figure 6)	Quad 2
TDFN 3x3	T1433	14	8mm	4mm	2500	N/A	Quad 1 (Figure 6)	Quad 2
TDFN 3x5	T1435	14	12mm	8mm	N/A	2500	Quad 1 (Figure 6)	Quad 1
TDFN 4x3	T834	8	12mm	8mm	N/A	2500	Quad 1 (Figure 6)	Quad 1
TDFN 4x3	T1034	10	12mm	8mm	N/A	2500	Quad 1 (Figure 6)	Quad 1
TDFN 4x3	T1434	14	12mm	8mm	N/A	2500	Quad 1 (Figure 6)	Quad 1
TDFN 3x5	T1435	14	12mm	8mm	N/A	2500	Quad 1 (Figure 6)	Quad 1
TDFN 8x4	T2848	28	16mm	8mm	N/A	2500	Quad 1 (Figure 6)	Quad 1

7.4.20. For other DFN (DFN, Opto TDFN, Ultra TDFN) Packages

Package	Pin Count	Carrier Tape	Quantity per Reel	Pin 1 Orientation
Maxim Integrated		TITLE: [PH/TH] [T&R/TEST PROD] STANDARD QUANTITY ON REEL AND ORIENTATION OF TAPE AND REEL		
		DOCUMENT I.D. 04-4051	REVISION X	PAGE 11

	Package Code		Width	Pitch	7"	13"		EIA481-D Standard
DFN 3x3	G833	8	8mm	4mm	2500	N/A	Quad 1 (Figure 6)	Quad 2
OTDFN 2x2	D622	6	8mm	4mm	2500	N/A	Quad 1 (Figure 6)	Quad 2
OTDFN 3x3	D1433	14	8mm	4mm	2500	N/A	Quad 1 (Figure 6)	Quad 2
Ultra TDFN 3x3	V1233	12	8mm	4mm	2500	N/A	Quad 1 (Figure 6)	Quad 2

7.4.21. For LGA Packages

Package	Package Code	Pin Count	Carrier Tape		Quantity per Reel		Pin 1 Orientation	EIA481-D Standard
			Width	Pitch	7"	13"		
LGA 2.5x2.5	L142A2	14	12mm	8mm	N/A	2500	Quad 1 (Figure 7)	Quad 1
LGA 3x3	L1633	16	12mm	8mm	N/A	2500	Quad 1 (Figure 7)	Quad 1
LGA 3x3	L2433	24	12mm	8mm	N/A	2500	Quad 1 (Figure 7)	Quad 1
LGA 4x13	L6043FM	60	24mm	8mm	N/A	2500	Quad 1 (Figure 7)	Quad 1
LGA 5x6	L3656	36	16mm	8mm	N/A	2500	Quad 1 (Figure 7)	Quad 1
LGA 7x7	L4877	48	16mm	12mm	N/A	2500	Quad 1 (Figure 7)	Quad 1
LGA 6.5x10	L286510	28	24mm	12mm	N/A	1500	Quad 2 (Figure 7)	Quad 1
LGA 9x9	L6499	64	16mm	12mm	N/A	2500	Quad 1 (Figure 7)	Quad 1
LGA 9x15	L32915	32	24mm	16mm	N/A	1500	Quad 2 (Figure 7)	Quad 1
LGA 9x15	L29915	29	24mm	16mm	N/A	1500	Quad 2 (Figure 7)	Quad 1
LGA 9x15	L33915	33	24mm	16mm	N/A	1500	Quad 2 (Figure 7)	Quad 1
LGA 9x9.5	L649A9	64	16mm	12mm	N/A	1500	Quad 2 (Figure 7)	Quad 1
LGA 9.35x11.5	L44119	44	24mm	16mm	N/A	1500	Quad 1 (Figure 7)	Quad 1
LGA 10x6.5	L286510	28	24mm	16mm	N/A	1500	Quad 2 (Figure 7)	Quad 1
LGA 11.5x8.6	L44811	44	24mm	16mm	N/A	1500	Quad 2 (Figure 7)	Quad 1
LGA 12x18	L421218	42	32mm	16m	N/A	500	Quad 2 (Figure 7)	Quad 1

7.4.22. For Optical LGA Packages

Package	Package Code	Pin Count	Carrier Tape		Quantity per Reel		Pin 1 Orientation	EIA481-D Standard
			Width	Pitch	7"	13"		
oLGA 2.8x5.6	F142A5	14	12mm	4mm	N/A	7500	Quad 1 (Figure 7)	Quad 1
oLGA 2.8x5.6	F142B5	14	12mm	4mm	N/A	7500	Quad 1 (Figure 7)	Quad 1
oLGA 3.3x5.6	F143A5	14	12mm	8mm	N/A	5000	Quad 1 (Figure 7)	Quad 1
oLGA 2.8x4.3	F182A4	18	12mm	8mm	N/A	3500	Quad 1 (Figure 7)	Quad 1
oLGA 3.3x5.6	F143B5	14	12mm	8mm	N/A	5000	Quad 1 (Figure 7)	Quad 1
oLGA 3.3x5.6	F143C5	14	12mm	8mm	N/A	5000	Quad 1 (Figure 7)	Quad 1
oLGA 3.3x5.6	F143D5	14	12mm	8mm	N/A	5000	Quad 1 (Figure 7)	Quad 1
oLGA 3.3x5.6	F143E5	14	12mm	8mm	N/A	5000	Quad 1 (Figure 7)	Quad 1
oLGA 3.3x5.6	F203B5	20	12mm	8mm	N/A	5000	Quad 1 (Figure 7)	Quad 1
oLGA 3.3x5.6	F223A5	22	12mm	8mm	N/A	5000	Quad 1 (Figure 7)	Quad 1
oLGA 3.3x5.6	F223B5	22	12mm	8mm	N/A	5000	Quad 1 (Figure 7)	Quad 1
oLGA 3.3x5.6	F223C5	22	12mm	8mm	N/A	5000	Quad 1 (Figure 7)	Quad 1
oLGA 3.3x5.6	F223D5	22	12mm	8mm	N/A	5000	Quad 1 (Figure 7)	Quad 1
oLGA 3.3x5.6	F143A5	14	12mm	8mm	N/A	5000	Quad 1 (Figure 7)	Quad 1
oLGA 4x4.5	F204A4	20	12mm	8mm	N/A	5000	Quad 1 (Figure 7)	Quad 1

Maxim Integrated	TITLE: [PH/TH] [T&R/TEST PROD] STANDARD QUANTITY ON REEL AND ORIENTATION OF TAPE AND REEL		
	DOCUMENT I.D. 04-4051	REVISION X	PAGE 12

oLGA 4.1x4.5	F384A4	38	12mm	8mm	N/A	5000	Quad 1 (Figure 7)	Quad 1
oLGA 4.3x2.9	F142A4	14	12mm	8mm	N/A	5000	Quad 1 (Figure 7)	Quad 1
oLGA 4.55x3.8	F83A4	8	12mm	8mm	N/A	5000	Quad 1 (Figure 7)	Quad 1
oLGA 5.6x2	F142B5	14	12mm	4mm	N/A	7500	Quad 1 (Figure 7)	Quad 1
oLGA 5.6x2.8	F122A5	12	12mm	4mm	N/A	7500	Quad 1 (Figure 7)	Quad 1
oLGA 5.6x2.8	F142D5	14	12mm	4mm	N/A	7500	Quad 1 (Figure 7)	Quad 1
oLGA 7.4x3.9	F143A7	14	16mm	8mm	N/A	2500	Quad 1 (Figure 7)	Quad 1
oLGA 7.4x3.9	F143B7	14	16mm	8mm	N/A	2000	Quad 1 (Figure 7)	Quad 1
oLGA 7.4x3.9	F143C7	14	16mm	8mm	N/A	2500	Quad 1 (Figure 7)	Quad 1
oLGA 7.4x3.9	F143D7	14	16mm	8mm	N/A	2000	Quad 1 (Figure 7)	Quad 1
oLGA 7.4x3.9	F143E7	14	16mm	8mm	N/A	2500	Quad 1 (Figure 7)	Quad 1
oLGA 7.4x3.9	F143G7	14	16mm	8mm	N/A	2000	Quad 1 (Figure 7)	Quad 1
oLGA 7x3.5	F143H7	14	16mm	8mm	N/A	3500	Quad 1 (Figure 7)	Quad 1

7.4.23. For Thin and Ultra Thin LGA Packages

Package	Package Code	Pin Count	Carrier Tape		Quantity per Reel		Pin 1 Orientation	EIA481-D Standard
			Width	Pitch	7"	13"		
Thin LGA 2x2	L1022	10	8mm	4mm	2500	N/A	Quad 1 (Figure 7)	Quad 1
Thin LGA 4x6.5	L344A6	34	12mm	8mm	N/A	2500	Quad 1 (Figure 7)	Quad 1
Thin LGA 5x5	L6455	64	12mm	8mm	N/A	2500	Quad 1 (Figure 7)	Quad 1
Thin LGA 6x6	L1266	12	16mm	12mm	N/A	2500	Quad 1 (Figure 7)	Quad 1
Thin LGA 6x6	L8466	84	16mm	12mm	N/A	2500	Quad 1 (Figure 7)	Quad 1
Thin LGA 7x7	L4877	48	16mm	12mm	N/A	2500	Quad 1 (Figure 7)	Quad 1
Thin LGA 10x10	L321010	32	24mm	16mm	N/A	2500	Quad 1 (Figure 7)	Quad 1
Ultra Thin LGA	Y61A1	6	8mm	4mm	2500	N/A	Quad 1 (Figure 7)	Quad 1

7.4.24. For LQFP / TQFP Packages

Package	Package Code	Pin Count	Carrier Tape		Quantity per Reel		Pin 1 Orientation	EIA481-D Standard
			Width	Pitch	7"	13"		
L/TQFP 14x14	C100	100	24mm	20mm	N/A	250	Quad 1 (Figure 4)	Quad 2
LQFP 14x14	C120	120	24mm	20mm	N/A	250	Quad 1 (Figure 4)	Quad 2
L/TQFP 14x14	C128	128	24mm	20mm	N/A	250	Quad 1 (Figure 4)	Quad 2
L/TQFP 7x7	C32	32	16mm	12mm	N/A	2000	Quad 1 (Figure 4)	Quad 2
L/TQFP 7x7	C48	48	16mm	12mm	N/A	2000	Quad 1 (Figure 4)	Quad 2
TQFP 10x10	C44	44	24mm	16mm	N/A	750	Quad 1 (Figure 4)	Quad 2
LQFP 10x10	C52	52	24mm	16mm	N/A	750	Quad 1 (Figure 4)	Quad 2
L/TQFP 10x10	C64	64	24mm	16mm	N/A	750	Quad 1 (Figure 4)	Quad 2
LQFP 12x12	C76	76	24mm	20mm	N/A	1000	Quad 2 (Figure 4)	Quad 2
TQFP 12x12	C80	80	24mm	20mm	N/A	1000	Quad 1 (Figure 4)	Quad 2
LQFP 14x20	C128L	128	44mm	24mm	N/A	500	Quad 1 (Figure 4)	Quad 1
L/TQFP 20x20	C144	144	32mm	24mm	N/A	750	Quad 1 (Figure 4)	Quad 2
TQFP 5x5	H32	32	16mm	12mm	N/A	2500	Quad 1 (Figure 4)	Quad 2

7.4.25. For MQFP Packages

Maxim Integrated	TITLE: [PH/TH] [T&R/TEST PROD] STANDARD QUANTITY ON REEL AND ORIENTATION OF TAPE AND REEL		
	DOCUMENT I.D. 04-4051	REVISION X	PAGE 13

Package	Package Code	Pin Count	Carrier Tape		Quantity per Reel		Pin 1 Orientation	EIA481 Standard
			Width	Pitch	7"	13"		
MQFP 10x10	M44	44	24mm	24mm	N/A	500	Quad 1 (Figure 4)	Quad 2
MQFP 14x20	M80	80	44mm	32mm	N/A	250	Quad 1 (Figure 4)	Quad 2
MQFP 14x20	M100	100	44mm	32mm	N/A	250	Quad 1 (Figure 4)	Quad 2
MQFP 28x28	M144	144	44mm	32mm	N/A	250	Quad 1 (Figure 4)	Quad 2

7.4.26. For PLCC Packages

Package	Package Code	Pin Count	Carrier Tape		Quantity per Reel		Pin 1 Orientation	EIA481-D Standard
			Width	Pitch	7"	13"		
PLCC 8.97x8.97	Q20	20	16mm	12mm	N/A	1000	Quad 1-2 (Figure 4)	Quad 1-2
PLCC 11.48x11.48	Q28	28	24mm	16mm	N/A	500	Quad 1-2 (Figure 4)	Quad 1-2
PLCC 11.51x11.51	Q28	28	24mm	16mm	N/A	500	Quad 1-2 (Figure 4)	Quad 1-2
PLCC 11.46x14	Q32	32	24mm	16mm	N/A	500	Quad 1-2 (Figure 4)	Quad 1-2
PLCC 16.59x16.59	Q44	44	32mm	24mm	N/A	500	Quad 1-2 (Figure 4)	Quad 1-2
PLCC 19.2x19.2	Q52	52	32mm	24mm	N/A	250	Quad 1-2 (Figure 4)	Quad 1-2
PLCC 24.3x24.3	Q68	68	44mm	32mm	N/A	250	Quad 1-2 (Figure 4)	Quad 1-2

7.4.27. For BGA Packages

Package	Package Code	Pin Count	Carrier Tape		Quantity per Reel		Pin 1 Orientation	EIA481-D Standard
			Width	Pitch	7"	13"		
BGA 4x4	X16	16	12mm	8mm	N/A	2500	Quad 1 (Figure 4)	Quad 1
BGA 5x5	X25	25	12mm	8mm	N/A	2500	Quad 1 (Figure 4)	Quad 1
BGA 5.9x5.9	X495A5	49	16mm	12mm	N/A	1000	Quad 1 (Figure 4)	Quad 1
BGA 6x6	X2466	24	16mm	12mm	N/A	1000	Quad 1 (Figure 4)	Quad 1
BGA 6x5.35	X07265	26	12mm	8mm	N/A	2500	Quad 2 (Figure 7)	Quad 1
BGA 6.8x6.2	X906A6	90	16mm	12mm	N/A	2500	Quad 1 (Figure 4)	Quad 1
BGA 7x7	X49	49	16mm	12mm	N/A	1500	Quad 1 (Figure 4)	Quad 1
BGA 7x7	X4977	49	16mm	12mm	N/A	2000	Quad 1 (Figure 4)	Quad 1
BGA 7x7	X6477	64	16mm	12mm	N/A	2000	Quad 1 (Figure 4)	Quad 1
BGA 7x7	X12077	120	16mm	12mm	N/A	2000	Quad 1 (Figure 4)	Quad 1
BGA 7x7	X19677	196	16mm	12mm	N/A	2000	Quad 1 (Figure 4)	Quad 1
BGA 7x14	B1271A7	127	24mm	12mm	N/A	2000	Quad 1 (Figure 4)	Quad 1
BGA 8x8	X8188	81	16mm	12mm	N/A	2500	Quad 1 (Figure 4)	Quad 1
BGA 8x8	X12188	121	16mm	12mm	N/A	2500	Quad 1 (Figure 4)	Quad 1
BGA 8.6x7.7	X767A8	76	16mm	12mm	N/A	2500	Quad 2 (Figure 4)	Quad 1
BGA 9x9	X100	100	16mm	12mm	N/A	2000	Quad 1 (Figure 4)	Quad 1
BGA 9x9	X32499	324	16mm	12mm	N/A	2000	Quad 1 (Figure 4)	Quad 1
BGA 9x9	X8899	88	16mm	12mm	N/A	2000	Quad 1 (Figure 4)	Quad 1
BGA 10x10	X100	100	24mm	16mm	N/A	500	Quad 1 (Figure 4)	Quad 1
BGA 10x10	X14400	144	24mm	16mm	N/A	500	Quad 1 (Figure 4)	Quad 1
BGA 10x10	X81	81	24mm	16mm	N/A	500	Quad 1 (Figure 4)	Quad 1
BGA 10x10	X8100	81	24mm	16mm	N/A	500	Quad 1 (Figure 4)	Quad 1

Maxim Integrated	TITLE: [PH/TH] [T&R/TEST PROD] STANDARD QUANTITY ON REEL AND ORIENTATION OF TAPE AND REEL		
	DOCUMENT I.D. 04-4051	REVISION X	PAGE 14

BGA 11x11	X100	100	24mm	16mm	N/A	500	Quad 1 (Figure 4)	Quad 1
BGA 11x11	X10011	100	24mm	16mm	N/A	500	Quad 1 (Figure 4)	Quad 1
BGA 11x11	X169	169	24mm	16mm	N/A	500	Quad 1 (Figure 4)	Quad 1
BGA 11x11	X16911	169	24mm	16mm	N/A	500	Quad 1 (Figure 4)	Quad 1
BGA 11x11	X22811	228	24mm	16mm	N/A	500	Quad 1 (Figure 4)	Quad 1
BGA 11.43x10.16	V36	36	24mm	16mm	N/A	750	Quad 1 (Figure 4)	Quad 1
BGA 12x12	X14422	144	24mm	16mm	N/A	2000	Quad 1 (Figure 4)	Quad 1
BGA 12x12	X19222	192	24mm	16mm	N/A	2000	Quad 1 (Figure 4)	Quad 1
BGA 13x13	X144	144	24mm	16mm	N/A	1500	Quad 1 (Figure 4)	Quad 1
BGA 14x14	X169	169	24mm	20mm	N/A	1500	Quad 1 (Figure 4)	Quad 1
BGA 14x14	X16944	169	24mm	20mm	N/A	1500	Quad 1 (Figure 4)	Quad 1
BGA 15x15	X196	196	24mm	20mm	N/A	500	Quad 1 (Figure 4)	Quad 1
BGA 15x15	X19655	196	24mm	20mm	N/A	500	Quad 1 (Figure 4)	Quad 1
BGA 15x15	X32455	324	24mm	20mm	N/A	500	Quad 1 (Figure 4)	Quad 1
BGA 15x15	X25655	256	24mm	20mm	N/A	500	Quad 1 (Figure 4)	Quad 1
BGA 16x16	X36166	361	24mm	20mm	N/A	1000	Quad 1 (Figure 4)	Quad 1
BGA 16x10	X22860	228	24mm	16mm	N/A	1500	Quad 2 (figure 4)	Quad 1
BGA 17x17	X25677	256	32mm	24mm	N/A	500	Quad 1 (Figure 4)	Quad 1
BGA 17x12	X28027	280	32m	16mm	N/A	2000	Quad 1 (Figure 4)	Quad 1
BGA 17x16	X38076	380	32m	16mm	N/A	2500	Quad 2 (Figure 4)	Quad 1
BGA 17x17	V144	256	32mm	24mm	N/A	500	Quad 1 (Figure 4)	Quad 1
BGA 17x17	X256	256	32mm	24mm	N/A	500	Quad 1 (Figure 4)	Quad 1
BGA 23x10	X33602	336	44mm	16mm	N/A	1500	Quad 3 (Figure 4)	Quad 1
BGA 23x23	V448	448	44mm	28mm	N/A	500	Quad 1 (Figure 4)	Quad 1
BGA 23x23	V484	484	44mm	28mm	N/A	500	Quad 1 (Figure 4)	Quad 1
BGA 25x25	H192	192	44mm	32mm	N/A	250	Quad 1 (Figure 4)	Quad 1
BGA 25x25	X492	492	44mm	32mm	N/A	250	Quad 1 (Figure 4)	Quad 1
BGA 27x27	V256	256	44mm	32mm	N/A	500	Quad 1 (Figure 4)	Quad 1
BGA 27x27	H256	256	44mm	32mm	N/A	500	Quad 1 (Figure 4)	Quad 1
BGA 27x27	X67277	672	44mm	32mm	N/A	250	Quad 1 (Figure 4)	Quad 1
BGA 27x27	V676	676	44mm	32mm	N/A	500	Quad 1 (Figure 4)	Quad 1
BGA 31x31	V484	484	44mm	40mm	N/A	500	Quad 1 (Figure 4)	Quad 1
BGA 35x35	X924	924	56mm	40mm	N/A	250	Quad 1 (Figure 4)	Quad 1
BGA 35x35	V564	564	56mm	40mm	N/A	500	Quad 1 (Figure 4)	Quad 1
BGA 40x40	X1229	1229	56mm	44mm	N/A	750	Quad 1 (Figure 4)	Quad 1

7.4.28. For eMGA Packages

Package	Package Code	Pin Count	Carrier Tape		Quantity per Reel		Pin 1 Orientation	EIA481-D Standard
			Width	Pitch	7"	13"		
eMGA 2.6x2.1	M102A2	10	12mm	8mm	N/A	2500	Quad 1 (figure 4)	Quad 1
eMGA 2.6x3	M102A3	10	12mm	8mm	N/A	2500	Quad 1 (figure 4)	Quad 1
eMGA 3x3	M123A3	12	12mm	8mm	N/A	2500	Quad 1 (figure 4)	Quad 1
eMGA 7.5x7.5	M2367A7	236	16mm	12mm	N/A	2500	Quad 1 (figure 4)	Quad 1
eMGA 8x6.5	M2086A8	208	16mm	12mm	N/A	1500	Quad 1 (figure 4)	Quad 1

Maxim Integrated	TITLE: [PH/TH] [T&R/TEST PROD] STANDARD QUANTITY ON REEL AND ORIENTATION OF TAPE AND REEL		
	DOCUMENT I.D. 04-4051	REVISION X	PAGE 15

eMGA 9.2x6.5	M2346A9	234	16mm	12mm	N/A	1500	Quad 1 (figure 4)	Quad 1
eMGA 9.9x7.2	M2667A9	266	16mm	12mm	N/A	1500	Quad 1 (figure 4)	Quad 1

7.4.29. TO92 Parts

Package	Package Code	Pin Count	Carrier Tape		Quantity per Reel		Pin 1 Orientation	EIA481-D Standard
			Width	Pitch	14"			
TO92 4.7x4.7	Q2	2	N/A	N/A	2000		Figure 11 & 12	N/A
TO92 4.7x4.7	Q3	3	N/A	N/A	2000		Figure 11 & 12	N/A

7.4.30. MAXIM Die Parts

7.4.30.1. For uCSP Packages

Package	Package Code	Pin Count	Carrier Tape		Quantity per Reel		Pin 1 Orientation	EIA481-D Standard
			Width	Pitch	7"	13"		
uCSP	B4+1	4	8	4	2500	N/A	Quad 1 (Figure 10)	Quad 2
uCSP	B4+2	4	8	4	2500	N/A	Quad 1 (Figure 10)	Quad 2
uCSP	B4+3	4	8	4	2500	N/A	Quad 1 (Figure 10)	Quad 2
uCSP	B4+4	4	8	4	2500	N/A	Quad 1 (Figure 10)	Quad 2
uCSP	B4-1	4	8	4	2500	N/A	Quad 1 (Figure 10)	Quad 2
uCSP	B4-2	4	8	4	2500	N/A	Quad 1 (Figure 10)	Quad 2
uCSP	B4-3	4	8	4	2500	N/A	Quad 1 (Figure 10)	Quad 2
uCSP	B4-4	4	8	4	2500	N/A	Quad 1 (Figure 10)	Quad 2
uCSP	B6+1	6	8	4	2500	N/A	Quad 2 (Figure 10)	Quad 2
uCSP	B6+2	6	8	4	2500	N/A	Quad 2 (Figure 10)	Quad 2
uCSP	B6+3	6	8	4	2500	N/A	Quad 2 (Figure 10)	Quad 2
uCSP	B6+4	6	8	4	2500	N/A	Quad 2 (Figure 10)	Quad 2
uCSP	B6+5	6	8	4	2500	N/A	Quad 2 (Figure 10)	Quad 2
uCSP	B6+6	6	8	4	2500	N/A	Quad 2 (Figure 10)	Quad 2
uCSP	B6-1	6	8	4	2500	N/A	Quad 2 (Figure 10)	Quad 2
uCSP	B6-2	6	8	4	2500	N/A	Quad 2 (Figure 10)	Quad 2
uCSP	B6-3	6	8	4	2500	N/A	Quad 2 (Figure 10)	Quad 2
uCSP	B6-4	6	8	4	2500	N/A	Quad 2 (Figure 10)	Quad 2
uCSP	B6-5	6	8	4	2500	N/A	Quad 2 (Figure 10)	Quad 2
uCSP	B6-6	6	8	4	2500	N/A	Quad 2 (Figure 10)	Quad 2
uCSP	B8+1	8	8	4	2500	N/A	Quad 2 (Figure 10)	Quad 2
uCSP	B8-1	8	8	4	2500	N/A	Quad 2 (Figure 10)	Quad 2
uCSP	B9+1	9	8	4	2500	N/A	Quad 1 (Figure 10)	Quad 2
uCSP	B9+2	9	8	4	2500	N/A	Quad 1 (Figure 10)	Quad 2
uCSP	B9+3	9	8	4	2500	N/A	Quad 1 (Figure 10)	Quad 2
uCSP	B9+4	9	8	4	2500	N/A	Quad 1 (Figure 10)	Quad 2
uCSP	B9+5	9	8	4	2500	N/A	Quad 1 (Figure 10)	Quad 2
uCSP	B9+6	9	8	4	2500	N/A	Quad 1 (Figure 10)	Quad 2
uCSP	B9+7	9	8	4	2500	N/A	Quad 1 (Figure 10)	Quad 2

Maxim Integrated

TITLE: [PH/TH] [T&R/TEST PROD] STANDARD QUANTITY ON REEL AND ORIENTATION OF TAPE AND REEL

DOCUMENT I.D.
04-4051

REVISION
X

PAGE
16

uCSP	B9+8	9	8	4	2500	N/A	Quad 1 (Figure 10)	Quad 2
uCSP	B9-1	9	8	4	2500	N/A	Quad 1 (Figure 10)	Quad 2
uCSP	B9-2	9	8	4	2500	N/A	Quad 1 (Figure 10)	Quad 2
uCSP	B9-3	9	8	4	2500	N/A	Quad 1 (Figure 10)	Quad 2
uCSP	B9-4	9	8	4	2500	N/A	Quad 1 (Figure 10)	Quad 2
uCSP	B9-5	9	8	4	2500	N/A	Quad 1 (Figure 10)	Quad 2
uCSP	B9-6	9	8	4	2500	N/A	Quad 1 (Figure 10)	Quad 2
uCSP	B9-7	9	8	4	2500	N/A	Quad 1 (Figure 10)	Quad 2
uCSP	B9-8	9	8	4	2500	N/A	Quad 1 (Figure 10)	Quad 2
uCSP	B12+1	12	8	4	2500	N/A	Quad 2 (Figure 10)	Quad 2
uCSP	B12+10	12	8	4	2500	N/A	Quad 2 (Figure 10)	Quad 2
uCSP	B12+11	12	8	4	2500	N/A	Quad 2 (Figure 10)	Quad 2
uCSP	B12+2	12	8	4	2500	N/A	Quad 2 (Figure 10)	Quad 2
uCSP	B12+3	12	8	4	2500	N/A	Quad 2 (Figure 10)	Quad 2
uCSP	B12+4	12	8	4	2500	N/A	Quad 2 (Figure 10)	Quad 2
uCSP	B12+5	12	8	4	2500	N/A	Quad 2 (Figure 10)	Quad 2
uCSP	B12+6	12	8	4	2500	N/A	Quad 2 (Figure 10)	Quad 2
uCSP	B12+7	12	8	4	2500	N/A	Quad 2 (Figure 10)	Quad 2
uCSP	B12+8	12	8	4	2500	N/A	Quad 2 (Figure 10)	Quad 2
uCSP	B12+9	12	8	4	2500	N/A	Quad 2 (Figure 10)	Quad 2
uCSP	B12-1	12	8	4	2500	N/A	Quad 2 (Figure 10)	Quad 2
uCSP	B12-10	12	8	4	2500	N/A	Quad 2 (Figure 10)	Quad 2
uCSP	B12-11	12	8	4	2500	N/A	Quad 2 (Figure 10)	Quad 2
uCSP	B12-2	12	8	4	2500	N/A	Quad 2 (Figure 10)	Quad 2
uCSP	B12-3	12	8	4	2500	N/A	Quad 2 (Figure 10)	Quad 2
uCSP	B12-4	12	8	4	2500	N/A	Quad 2 (Figure 10)	Quad 2
uCSP	B12-5	12	8	4	2500	N/A	Quad 2 (Figure 10)	Quad 2
uCSP	B12-6	12	8	4	2500	N/A	Quad 2 (Figure 10)	Quad 2
uCSP	B12-7	12	8	4	2500	N/A	Quad 2 (Figure 10)	Quad 2
uCSP	B12-8	12	8	4	2500	N/A	Quad 2 (Figure 10)	Quad 2
uCSP	B12-9	12	8	4	2500	N/A	Quad 2 (Figure 10)	Quad 2
uCSP	B16+1	16	8	4	2500	N/A	Quad 1 (Figure 10)	Quad 2
uCSP	B16+2	16	8	4	2500	N/A	Quad 1 (Figure 10)	Quad 2
uCSP	B16+3	16	8	4	2500	N/A	Quad 1 (Figure 10)	Quad 2
uCSP	B16+4	16	8	4	2500	N/A	Quad 1 (Figure 10)	Quad 2
uCSP	B16+5	16	8	4	2500	N/A	Quad 1 (Figure 10)	Quad 2
uCSP	B16+6	16	8	4	2500	N/A	Quad 1 (Figure 10)	Quad 2
uCSP	B16-1	16	8	4	2500	N/A	Quad 1 (Figure 10)	Quad 2
uCSP	B16-2	16	8	4	2500	N/A	Quad 1 (Figure 10)	Quad 2
uCSP	B16-3	16	8	4	2500	N/A	Quad 1 (Figure 10)	Quad 2
uCSP	B16-4	16	8	4	2500	N/A	Quad 1 (Figure 10)	Quad 2
uCSP	B16-5	16	8	4	2500	N/A	Quad 1 (Figure 10)	Quad 2
uCSP	B16-6	16	8	4	2500	N/A	Quad 1 (Figure 10)	Quad 2
uCSP	B20+1	20	8	4	2500	N/A	Quad 2 (Figure 10)	Quad 2
uCSP	B20+2	20	8	4	2500	N/A	Quad 2 (Figure 10)	Quad 2

Maxim Integrated	TITLE: [PH/TH] [T&R/TEST PROD] STANDARD QUANTITY ON REEL AND ORIENTATION OF TAPE AND REEL		
	DOCUMENT I.D. 04-4051	REVISION X	PAGE 17

uCSP	B20+3	20	8	4	2500	N/A	Quad 2 (Figure 10)	Quad 2
uCSP	B20+4	20	8	4	2500	N/A	Quad 2 (Figure 10)	Quad 2
uCSP	B20+5	20	8	4	2500	N/A	Quad 2 (Figure 10)	Quad 2
uCSP	B20+6	20	8	4	2500	N/A	Quad 2 (Figure 10)	Quad 2
uCSP	B20+7	20	8	4	2500	N/A	Quad 2 (Figure 10)	Quad 2
uCSP	B20+8	20	8	4	2500	N/A	Quad 2 (Figure 10)	Quad 2
uCSP	B20-1	20	8	4	2500	N/A	Quad 2 (Figure 10)	Quad 2
uCSP	B20-2	20	8	4	2500	N/A	Quad 2 (Figure 10)	Quad 2
uCSP	B20-3	20	8	4	2500	N/A	Quad 2 (Figure 10)	Quad 2
uCSP	B20-4	20	8	4	2500	N/A	Quad 2 (Figure 10)	Quad 2
uCSP	B20-5	20	8	4	2500	N/A	Quad 2 (Figure 10)	Quad 2
uCSP	B20-6	20	8	4	2500	N/A	Quad 2 (Figure 10)	Quad 2
uCSP	B20-7	20	8	4	2500	N/A	Quad 2 (Figure 10)	Quad 2
uCSP	B20-8	20	8	4	2500	N/A	Quad 2 (Figure 10)	Quad 2
uCSP	B25+1	25	8	4	2500	N/A	Quad 1 (Figure 10)	Quad 2
uCSP	B25+2	25	8	4	2500	N/A	Quad 1 (Figure 10)	Quad 2
uCSP	B25+3	25	8	4	2500	N/A	Quad 1 (Figure 10)	Quad 2
uCSP	B25+4	25	8	4	2500	N/A	Quad 1 (Figure 10)	Quad 2
uCSP	B25+5	25	8	4	2500	N/A	Quad 1 (Figure 10)	Quad 2
uCSP	B25-1	25	8	4	2500	N/A	Quad 1 (Figure 10)	Quad 2
uCSP	B25-2	25	8	4	2500	N/A	Quad 1 (Figure 10)	Quad 2
uCSP	B25-3	25	8	4	2500	N/A	Quad 1 (Figure 10)	Quad 2
uCSP	B25-4	25	8	4	2500	N/A	Quad 1 (Figure 10)	Quad 2
uCSP	B25-5	25	8	4	2500	N/A	Quad 1 (Figure 10)	Quad 2
uCSP	B30+1	30	8	4	2500	N/A	Quad 2 (Figure 10)	Quad 2
uCSP	B30+2	30	8	4	2500	N/A	Quad 2 (Figure 10)	Quad 2
uCSP	B30+3	30	8	4	2500	N/A	Quad 2 (Figure 10)	Quad 2
uCSP	B30+4	30	8	4	2500	N/A	Quad 2 (Figure 10)	Quad 2
uCSP	B30-1	30	8	4	2500	N/A	Quad 2 (Figure 10)	Quad 2
uCSP	B30-2	30	8	4	2500	N/A	Quad 2 (Figure 10)	Quad 2
uCSP	B30-3	30	8	4	2500	N/A	Quad 2 (Figure 10)	Quad 2
uCSP	B30-4	30	8	4	2500	N/A	Quad 2 (Figure 10)	Quad 2
uCSP	B36+1	36	12	8	2500	N/A	Quad 2 (Figure 10)	Quad 2
uCSP	B36+2	36	12	8	2500	N/A	Quad 2 (Figure 10)	Quad 2
uCSP	B36+3	36	12	8	2500	N/A	Quad 2 (Figure 10)	Quad 2
uCSP	B36+4	36	12	8	2500	N/A	Quad 2 (Figure 10)	Quad 2
uCSP	B36-1	36	12	8	2500	N/A	Quad 2 (Figure 10)	Quad 2
uCSP	B36-2	36	12	8	2500	N/A	Quad 2 (Figure 10)	Quad 2
uCSP	B36-3	36	12	8	2500	N/A	Quad 2 (Figure 10)	Quad 2
uCSP	B36-4	36	12	8	2500	N/A	Quad 2 (Figure 10)	Quad 2

NOTE:

a.) For B4 packages, quantity may changed into 10000 if the MAXIM part number has "+T10" extension.

7.4.30.2. For uCSP-R Packages

Package	Pin Count	Carrier Tape	Quantity per Reel	Pin 1 Orientation
Maxim Integrated		TITLE: [PH/TH] [T&R/TEST PROD] STANDARD QUANTITY ON REEL AND ORIENTATION OF TAPE AND REEL		
		DOCUMENT I.D. 04-4051	REVISION X	PAGE 18

	Package Code		Width	Pitch	7"	13"		EIA481-D Standard
uCSP-R	R41A1+1	4	8	4	2500	N/A	Quad 1 (Figure 10)	Quad 2
uCSP-R	R41B1+1	4	8	4	2500	N/A	Quad 1 (Figure 10)	Quad 2
uCSP-R	R41C1+1	4	8	4	2500	N/A	Quad 1 (Figure 10)	Quad 2
uCSP-R	R61A1+1	6	8	4	2500	N/A	Quad 2 (Figure 10)	Quad 2
uCSP-R	R61B1+1	6	8	4	2500	N/A	Quad 2 (Figure 10)	Quad 2
uCSP-R	R61C1+1	6	8	4	2500	N/A	Quad 2 (Figure 10)	Quad 2
uCSP-R	R81A2+1	8	8	4	2500	N/A	Quad 2 (Figure 10)	Quad 2
uCSP-R	R91A1+1	9	8	4	N/A	10000	Quad 1 (Figure 10)	Quad 2
uCSP-R	R91A2+1	9	8	4	2500	N/A	Quad 1 (Figure 10)	Quad 2
uCSP-R	R91B1+1	9	8	4	2500	N/A	Quad 1 (Figure 10)	Quad 2
uCSP-R	R121A2+1	12	8	4	2500	N/A	Quad 1 (Figure 10)	Quad 2
uCSP-R	R121B2+1	12	8	4	2500	N/A	Quad 1 (Figure 10)	Quad 2
uCSP-R	R151A2+1	15	8	4	2500	N/A	Quad 2 (Figure 10)	Quad 2
uCSP-R	R162A2+1	16	8	4	2500	N/A	Quad 1 (Figure 10)	Quad 2
uCSP-R	R202A2+1	20	8	4	2500	N/A	Quad 2 (Figure 10)	Quad 2
uCSP-R	R252A2+1	25	8	4	2500	N/A	Quad 1 (Figure 10)	Quad 2
uCSP-R	R302A3+1	30	8	4	2500	N/A	Quad 2 (Figure 10)	Quad 2
uCSP-R	R423A3+1	42	12	8	2500	N/A	Quad 2 (Figure 10)	Quad 2
uCSP-R	R564A3+1	56	12	8	2000	N/A	Quad 2 (Figure 10)	Quad 2
uCSP-R	R813A3+1	81	12	8	2000	N/A	Quad 1 (Figure 10)	Quad 2
uCSP-R	R814A4+1	81	12	8	2000	N/A	Quad 1 (Figure 10)	Quad 2
uCSP-R	R1005A5+1	100	12	8	2000	N/A	Quad 1 (Figure 10)	Quad 2

7.4.30.3. For WLP Packages

Package	Package Code	Pin Count	Carrier Tape		Quantity per Reel		Pin 1 Orientation	EIA481-D Standard
			Width	Pitch	7"	13"		
WLP	W40A0+1	4	8	4	2500	N/A	Quad 1 (Figure 10)	Quad 1
WLP	W41A1+2	4	8	4	2500	N/A	Quad 1 (Figure 10)	Quad 1
WLP	W41C1+1	4	8	4	2500	N/A	Quad 1 (Figure 10)	Quad 1
WLP	W61A1+1	6	8	4	2500	N/A	Quad 2 (Figure 2)	Quad 2
WLP	W61B1+1	6	8	4	2500	N/A	Quad 2 (Figure 2)	Quad 2
WLP	W61C1+1	6	8	4	2500	N/A	Quad 2 (Figure 2)	Quad 2
WLP	W61C1+2	6	8	4	2500	N/A	Quad 2 (Figure 2)	Quad 2
WLP	W61D1+1	6	8	4	2500	N/A	Quad 2 (Figure 2)	Quad 2
WLP	W61E1+1	6	8	4	2500	N/A	Quad 2 (Figure 2)	Quad 2
WLP	W81A2+1	8	8	4	2500	N/A	Quad 2 (Figure 2)	Quad 2
WLP	W91B1+1	9	8	4	2500	N/A	Quad 1 (Figure 10)	Quad 1
WLP	W91B1+2	9	8	4	2500	N/A	Quad 1 (Figure 10)	Quad 1
WLP	W91B1+3	9	8	4	2500	N/A	Quad 1 (Figure 10)	Quad 1
WLP	W91B1+5	9	8	4	2500	N/A	Quad 1 (Figure 10)	Quad 1
WLP	W91B1+6	9	8	4	2500	N/A	Quad 1 (Figure 10)	Quad 1
WLP	W91B1+7	9	8	4	2500	N/A	Quad 1 (Figure 10)	Quad 1
WLP	W91C1+1	9	8	4	2500	N/A	Quad 1 (Figure 10)	Quad 1

Maxim Integrated	TITLE: [PH/TH] [T&R/TEST PROD] STANDARD QUANTITY ON REEL AND ORIENTATION OF TAPE AND REEL		
	DOCUMENT I.D. 04-4051	REVISION X	PAGE 19

WLP	W91D1+1	9	8	4	2500	N/A	Quad 1 (Figure 10)	Quad 1
WLP	W92A1+1	9	8	4	2500	N/A	Quad 1 (Figure 10)	Quad 1
WLP	W121A1+1	12	8	4	2500	N/A	Quad 2 (Figure 2)	Quad 2
WLP	W121A2+1	12	8	4	2500	N/A	Quad 2 (Figure 2)	Quad 2
WLP	W121B2+1	12	8	4	2500	N/A	Quad 2 (Figure 2)	Quad 2
WLP	W121B2+2	12	8	4	2500	N/A	Quad 2 (Figure 2)	Quad 2
WLP	W121C2+1	12	8	4	2500	N/A	Quad 2 (Figure 2)	Quad 2
WLP	W121D2+1	12	8	4	2500	N/A	Quad 2 (Figure 2)	Quad 2
WLP	W122A1+1	12	8	4	2500	N/A	Quad 2 (Figure 2)	Quad 2
WLP	W122A2+1	12	8	4	2500	N/A	Quad 2 (Figure 2)	Quad 2
WLP	W151A2+1	15	8	4	2500	N/A	Quad 2 (Figure 2)	Quad 2
WLP	W161B1+1	16	8	4	2500	N/A	Quad 1 (Figure 10)	Quad 1
WLP	W162A2+1	16	8	4	2500	N/A	Quad 1 (Figure 10)	Quad 1
WLP	W162B2+1	16	8	4	2500	N/A	Quad 1 (Figure 10)	Quad 1
WLP	W162C2+1	16	8	4	2500	N/A	Quad 1 (Figure 10)	Quad 1
WLP	W162D2+1	16	8	4	2500	N/A	Quad 1 (Figure 10)	Quad 1
WLP	W202A2+1	20	8	4	2500	N/A	Quad 1 (Figure 10)	Quad 1
WLP	W202A2+2	20	8	4	2500	N/A	Quad 1 (Figure 10)	Quad 1
WLP	W202B2+1	20	8	4	2500	N/A	Quad 1 (Figure 10)	Quad 1
WLP	W241B2+1	24	12	4	2500	N/A	Quad 2 (Figure 2)	Quad 2
WLP	W242A3+1	24	12	4	2500	N/A	Quad 2 (Figure 2)	Quad 2
WLP	W251A1+1	25	8	4	2500	N/A	Quad 1 (Figure 10)	Quad 1
WLP	W252A2+1	25	8	4	2500	N/A	Quad 1 (Figure 10)	Quad 1
WLP	W252B2+1	25	8	4	2500	N/A	Quad 1 (Figure 10)	Quad 1
WLP	W252C2+1	25	8	4	2500	N/A	Quad 1 (Figure 10)	Quad 1
WLP	W252D2+1	25	8	4	2500	N/A	Quad 1 (Figure 10)	Quad 1
WLP	W252E2+1	25	12	8	2500	N/A	Quad 1 (Figure 10)	Quad 1
WLP	W252F2+1	25	8	4	2500	N/A	Quad 1 (Figure 10)	Quad 1
WLP	W252G2+1	25	8	4	2500	N/A	Quad 1 (Figure 10)	Quad 1
WLP	W302A2+1	30	8	4	2500	N/A	Quad 2 (Figure 2)	Quad 2
WLP	W302A2+2	30	8	4	2500	N/A	Quad 2 (Figure 2)	Quad 2
WLP	W302A2+3	30	8	4	2500	N/A	Quad 2 (Figure 2)	Quad 2
WLP	W302A3+1	30	8	4	2500	N/A	Quad 2 (Figure 2)	Quad 2
WLP	W302A3+2	30	8	4	2500	N/A	Quad 2 (Figure 2)	Quad 2
WLP	W302B2+1	30	8	4	2500	N/A	Quad 2 (Figure 2)	Quad 2
WLP	W303A3+1	30	12	8	2500	N/A	Quad 2 (Figure 2)	Quad 2
WLP	W321A3+1	32	8	4	2500	N/A	Quad 2 (Figure 2)	Quad 2
WLP	W321B3+1	32	8	4	2500	N/A	Quad 2 (Figure 2)	Quad 2
WLP	W322A4+1	32	12	8	2500	N/A	Quad 2 (Figure 2)	Quad 2
WLP	W352A3+1	35	12	4	2500	N/A	Quad 2 (Figure 2)	Quad 2
WLP	W362A2+1	36	8	4	2500	N/A	Quad 1 (Figure 10)	Quad 1
WLP	W362A2+2	36	8	4	2500	N/A	Quad 1 (Figure 10)	Quad 1
WLP	W362A2+3	36	12	8	2500	N/A	Quad 1 (Figure 10)	Quad 1
WLP	W363A3+1	36	12	8	2500	N/A	Quad 1 (Figure 10)	Quad 1
WLP	W363A3+2	36	12	8	2500	N/A	Quad 1 (Figure 10)	Quad 1

Maxim Integrated	TITLE: [PH/TH] [T&R/TEST PROD] STANDARD QUANTITY ON REEL AND ORIENTATION OF TAPE AND REEL		
	DOCUMENT I.D. 04-4051	REVISION X	PAGE 20

WLP	W363A3+3	36	12	8	2500	N/A	Quad 1 (Figure 10)	Quad 1
WLP	W402A3+1	40	12	8	2500	N/A	Quad 2 (Figure 2)	Quad 2
WLP	W402A3+2	40	12	8	2500	N/A	Quad 2 (Figure 2)	Quad 2
WLP	W402B3+1	40	12	4	2500	N/A	Quad 2 (Figure 2)	Quad 2
WLP	W423A3+1	42	12	8	2500	N/A	Quad 2 (Figure 2)	Quad 2
WLP	W423B3+1	42	12	8	2000	N/A	Quad 2 (Figure 2)	Quad 2
WLP	W423C3+1	42	12	8	2000	N/A	Quad 2 (Figure 2)	Quad 2
WLP	W423D3+1	42	12	8	2000	N/A	Quad 2 (Figure 2)	Quad 2
WLP	W452A2+1	45	8	4	2500	N/A	Quad 2 (Figure 2)	Quad 2
WLP	W453A2+1	45	12	4	2500	N/A	Quad 2 (Figure 2)	Quad 2
WLP	W463A3+1	46	12	8	2000	N/A	Quad 2 (Figure 2)	Quad 2
WLP	W482A3+1	48	12	4	2500	N/A	Quad 2 (Figure 2)	Quad 2
WLP	W493A3+1	49	12	8	2000	N/A	Quad 1 (Figure 10)	Quad 1
WLP	W493B3+1	49	12	8	2000	N/A	Quad 1 (Figure 10)	Quad 1
WLP	W493B3+2	49	12	8	2500	N/A	Quad 1 (Figure 10)	Quad 1
WLP	W563C3+1	56	12	8	2500	N/A	Quad 2 (Figure 2)	Quad 2
WLP	W564A3+1	56	12	8	2000	N/A	Quad 2 (Figure 2)	Quad 2
WLP	W584B2+1	58	12	8	2000	N/A	Quad 2 (Figure 2)	Quad 2
WLP	W603A3+1	60	12	8	2000	N/A	Quad 2 (Figure 2)	Quad 2
WLP	W633A3+1	63	12	8	2500	N/A	Quad 2 (Figure 2)	Quad 2
WLP	W674A2+1	67	12	4	2500	N/A	Quad 2 (Figure 2)	Quad 2
WLP	W704A4+1	70	12	8	2000	N/A	Quad 2 (Figure 2)	Quad 2
WLP	W723A3+1	72	12	8	2000	N/A	Quad 2 (Figure 2)	Quad 2
WLP	W733A5+1	73	12	8	2500	N/A	Quad 2 (Figure 2)	Quad 2
WLP	B813A3+1	81	12	8	2000	N/A	Quad 1 (Figure 10)	Quad 1
WLP	W813A3+1	81	12	8	2000	N/A	Quad 1 (Figure 10)	Quad 1
WLP	W814A4+1	81	12	8	2000	N/A	Quad 1 (Figure 10)	Quad 1
WLP	W1004A4+1	100	12	8	2000	N/A	Quad 1 (Figure 10)	Quad 1
WLP	W1005A5+1	100	12	8	2000	N/A	Quad 1 (Figure 10)	Quad 1
WLP	W1105A5+1	110	12	8	2000	N/A	Quad 2 (Figure 2)	Quad 2
WLP	W1105B5+1	110	12	8	2000	N/A	Quad 2 (Figure 2)	Quad 2
WLP	W1324A5+1	132	12	8	2000	N/A	Quad 2 (Figure 2)	Quad 2
WLP	W1445A5+1	144	12	8	2000	N/A	Quad 1 (Figure 10)	Quad 1
WLP	W1825A5+1	182	12	8	2000	N/A	Quad 2 (Figure 2)	Quad 2
WLP	W1825A6+1	182	12	8	2000	N/A	Quad 2 (Figure 2)	Quad 2
WLP	W2256A6+1	225	12	8	2000	N/A	Quad 1 (Figure 10)	Quad 1
WLP	W282A3+1	282	12	4	2500	N/A	Quad 2 (Figure 2)	Quad 2
WLP	W322A4Z+2	32	12	8	2500	N/A	Quad 2 (Figure 2)	Quad 2
WLP	W904A4+1	90	12	8	2000	N/A	Quad 2 (Figure 2)	Quad 2
WLP	W1695A5+1	169	12	8	2000	N/A	Quad 1 (Figure 10)	Quad 1
WLP	W91E1Z+1	9	8	4	2500	N/A	Quad 1 (Figure 10)	Quad 1
WLP	W2256B6+1	225	16	12	2500	N/A	Quad 1 (Figure 10)	Quad 1
WLP	W1695A5+2	169	12	8	2000	N/A	Quad 1 (Figure 10)	Quad 1
WLP	W1084A6+1	104	12	8	2000	N/A	Quad 2 (Figure 2)	Quad 2
WLP	W201A2+1	20	8	4	2500	N/A	Quad 2 (Figure 2)	Quad 2

Maxim Integrated	TITLE: [PH/TH] [T&R/TEST PROD] STANDARD QUANTITY ON REEL AND ORIENTATION OF TAPE AND REEL		
	DOCUMENT I.D. 04-4051	REVISION X	PAGE 21

WLP	W201B2+1	20	8	4	2500	N/A	Quad 2 (Figure 2)	Quad 2
WLP	W322A4Z+2	32	12	4	2500	N/A	Quad 2 (Figure 2)	Quad 2
WLP	W302B2+2	30	8	4	2500	N/A	Quad 2 (Figure 2)	Quad 2
WLP	W814B4+1	81	12	8	2000	N/A	Quad 1 (Figure 10)	Quad 1
WLP	W573A3+1	56	12	8	2000	N/A	Quad 2 (Figure 2)	Quad 2
WLP	W161C1+1	16	8	4	2500	N/A	Quad 1 (Figure 10)	Quad 1
WLP	W302C2+1	30	8	4	2500	N/A	Quad 2 (Figure 2)	Quad 2
WLP	W252H2+1	25	8	4	2500	N/A	Quad 1 (Figure 10)	Quad 1
WLP	W80A1+1	8	8	4	2500	N/A	Quad 2 (Figure 2)	Quad 2
WLP	W151B2+1	15	8	4	2500	N/A	Quad 2 (Figure 2)	Quad 2
WLP	W60A0+1	6	8	4	2500	N/A	Quad 2 (Figure 2)	Quad 2
WLP	W903A4+1	90	12	8	2000	N/A	Quad 2 (Figure 2)	Quad 2
WLP	W121B1+1	12	8	4	2500	N/A	Quad 2 (Figure 2)	Quad 2
WLP	W91F1+1	9	8	4	2500	N/A	Quad 1 (Figure 10)	Quad 1
WLP	W1324A4+1	132	12	8	2000	N/A	Quad 2 (Figure 2)	Quad 2
WLP	W201C2+1	20	8	4	2500	N/A	Quad 2 (Figure 2)	Quad 2
WLP	W201D2+1	20	8	4	2500	N/A	Quad 2 (Figure 2)	Quad 2
WLP	W2106A6+1	210	12	8	2000	N/A	Quad 2 (Figure 2)	Quad 2
WLP	W402A4+1	40	12	4	2500	N/A	Quad 2 (Figure 2)	Quad 2
WLP	W303B3+1	30	12	8	2500	N/A	Quad 2 (Figure 2)	Quad 2
WLP	W40B1+1	4	8	4	2500	N/A	Quad 1 (Figure 10)	Quad 1
WLP	W41D1+1	4	8	4	2500	N/A	Quad 1 (Figure 10)	Quad 1
WLP	W1445A5+2	144	12	8	2000	N/A	Quad 1 (Figure 10)	Quad 1
WLP	W242B3Z+1	242	12	4	2500	N/A	Quad 2 (Figure 2)	Quad 2
WLP	W903B4+1	90	12	8	2000	N/A	Quad 2 (Figure 2)	Quad 2
WLP	W1004B4+1	100	12	8	2000	N/A	Quad 1 (Figure 10)	Quad 1
WLP	W803A4+1	80	12	8	2000	N/A	Quad 2 (Figure 2)	Quad 2
WLP	W1005B5+1	100	12	8	2000	N/A	Quad 1 (Figure 10)	Quad 1
WLP	W122A2+1	12	8	4	2500	N/A	Quad 2 (Figure 2)	Quad 2
WLP	W161B1+1	16	8	4	2500	N/A	Quad 1 (Figure 10)	Quad 1
WLP	W162E2+1	16	8	4	2500	N/A	Quad 1 (Figure 10)	Quad 1
WLP	W162F2+1	16	8	4	2500	N/A	Quad 1 (Figure 10)	Quad 1
WLP	W202D2Z+1	20	8	4	2500	N/A	Quad 2 (Figure 2)	Quad 2
WLP	W251A2+1	25	8	4	2500	N/A	Quad 1 (Figure 10)	Quad 1
WLP	W282B3+1	28	8	4	2500	N/A	Quad 2 (Figure 2)	Quad 2
WLP	W282B3Z+1	28	8	4	2500	N/A	Quad 2 (Figure 2)	Quad 2
WLP	W352B3+1	35	12	4	2500	N/A	Quad 2 (Figure 2)	Quad 2
WLP	W40A1+1	4	8	4	2500	N/A	Quad 1 (Figure 10)	Quad 1
WLP	W642A2+1	64	8	4	2500	N/A	Quad 1 (Figure 10)	Quad 1
WLP	W644A4+1	64	12	8	2000	N/A	Quad 1 (Figure 10)	Quad 1
WLP	W80B1+1	8	8	4	2500	N/A	Quad 2 (Figure 2)	Quad 2
WLP	W814C4+1	81	12	8	2000	N/A	Quad 1 (Figure 10)	Quad 1
WLP	W90A0+1	9	8	4	2500	N/A	Quad 1 (Figure 10)	Quad 1
WLP	W91G1+1	9	8	4	2500	N/A	Quad 1 (Figure 10)	Quad 1
WLP	W423E3+1	42	12	8	2000	N/A	Quad 2 (Figure 2)	Quad 2

Maxim Integrated	TITLE: [PH/TH] [T&R/TEST PROD] STANDARD QUANTITY ON REEL AND ORIENTATION OF TAPE AND REEL		
	DOCUMENT I.D. 04-4051	REVISION X	PAGE 22

WLP	W202E2Z+1	20	8	4	2500	N/A	Quad 2 (Figure 2)	Quad 2
WLP	W423B3+1	42	12	8	2000	N/A	Quad 2 (Figure 2)	Quad 2
WLP	W2256C6+1	225	16	12	2500	N/A	Quad 1 (Figure 10)	Quad 1
WLP	W121F1+1	12	8	4	2500	N/A	Quad 2 (Figure 2)	Quad 2
WLP	W162G2+1	16	8	4	2500	N/A	Quad 1 (Figure 10)	Quad 1
WLP	W252J2+1	25	8	4	2500	N/A	Quad 1 (Figure 10)	Quad 1
WLP	W904C4+1	90	12	8	2000	N/A	Quad 2 (Figure 2)	Quad 2
WLP	W61F0+1	6	8	4	2500	N/A	Quad 2 (Figure 2)	Quad 2
WLP	W642B2+1	64	12	8	2500	N/A	Quad 1 (Figure 10)	Quad 1
WLP	W252K2+1	25	8	4	2500	N/A	Quad 1 (Figure 10)	Quad 1
WLP	W161E1+1	16	8	4	2500	N/A	Quad 1 (Figure 10)	Quad 1
WLP	W1214A4+1	121	12	8	2000	N/A	Quad 1 (Figure 10)	Quad 1
WLP	W563D3+1	56	12	8	2000	N/A	Quad 2 (Figure 2)	Quad 2
WLP	W1695B5+2	169	12	8	2000	N/A	Quad 1 (Figure 10)	Quad 1
WLP	W121G1+1	12	8	4	2500	N/A	Quad 2 (Figure 2)	Quad 2
WLP	W121E2+1	12	8	4	2500	N/A	Quad 2 (Figure 2)	Quad 2

Note: Refer to Figure 10 for other information.

7.4.31. For SOT Packages

Package	Package Code	Pin Count	Carrier Tape		Quantity per Reel		Pin 1 Orientation	EIA481-D Standard
			Width	Pitch	7"	13"		
SOT23 2.85x1.3	U3	3	8mm	4mm	2500 /3000	10000	Quad 3 (Figure 3a&3b)	Quad 3
SOT23 2.85x1.3	U4	4	8mm	4mm	2500	10000	Quad 3 (Figure 3a &3b)	Quad 3
SOT23 2.9x1.62	U5	5	8mm	4mm	2500 /3000	10000	Quad2(Figure 3a) Quad3 (Figure 3b)	Quad 3
SOT23 2.9x1.62	U6	6	8mm	4mm	2500	10000	Quad2(Figure 3a) Quad3(Figure 3b)	Quad 3
SOT23 2.9x1.62	K8	8	8mm	4mm	2500	10000	Quad2(Figure 3a) Quad3(Figure 3b)	Quad 3
SOT223 6.5x3.5	K3	4	16mm	12mm	N/A	2500	Quad3(Figure 9)	Quad 3

Note: SOT-23 Pin 1 orientation would depend on the part numbers.

7.4.32. For Thin SOT Packages

Package	Package Code	Pin Count	Carrier Tape		Quantity per Reel		Pin 1 Orientation	EIA481-D Standard
			Width	Pitch	7"	13"		
Thin SOT	Z5	5	8mm	4mm	2500 /3000	10000	Quad2(Figure 3a) Quad3 (Figure 3b)	Quad 3
Thin SOT	Z6	6	8mm	4mm	2500 /3000	10000	Quad2(Figure 3a) Quad3 (Figure 3b)	Quad 3

7.4.33. For SC70 Packages

Package	Package Code	Pin Count	Carrier Tape		Quantity per Reel		Pin 1 Orientation	EIA481-D Standard
			Width	Pitch	7"	13"		

Maxim Integrated	TITLE: [PH/TH] [T&R/TEST PROD] STANDARD QUANTITY ON REEL AND ORIENTATION OF TAPE AND REEL		
	DOCUMENT I.D. 04-4051	REVISION X	PAGE 23

SC70 2x1.25	X3	3	8mm	4mm	2500	N/A	Quad3 (Figure 5)	Quad 3
SC70 2x1.25	X4	4	8mm	4mm	2500	N/A	Quad3 (Figure 5)	Quad 3
SC70 2x1.25	X5	5	8mm	4mm	2500	N/A	Quad2 (Figure 5)	Quad 3
SC70 2x1.25	X6	6	8mm	4mm	2500	N/A	Quad2 (Figure 5)	Quad 3
SC70 2x1.25	X8	8	8mm	4mm	2500	N/A	Quad 2 (Figure 5)	Quad 3

7.4.34. For SFN and Ultra SFN Packages

Package	Package Code	Pin Count	Carrier Tape		Quantity per Reel		Pin 1 Orientation	EIA481-D Standard
			Width	Pitch	7"	13"		
SFN 6x6	G266	2	16mm	12mm	N/A	2500	Quad1 (Figure 8)	Quad 2
SFN 3.5x6.5	T23A6	2	16mm	8mm	N/A	2500	Quad 4 (Figure 8)	Quad 1
SFN 5x3.5	S23A5	2	12mm	8mm	N/A	2500	Quad1 (Figure 8)	Quad 1

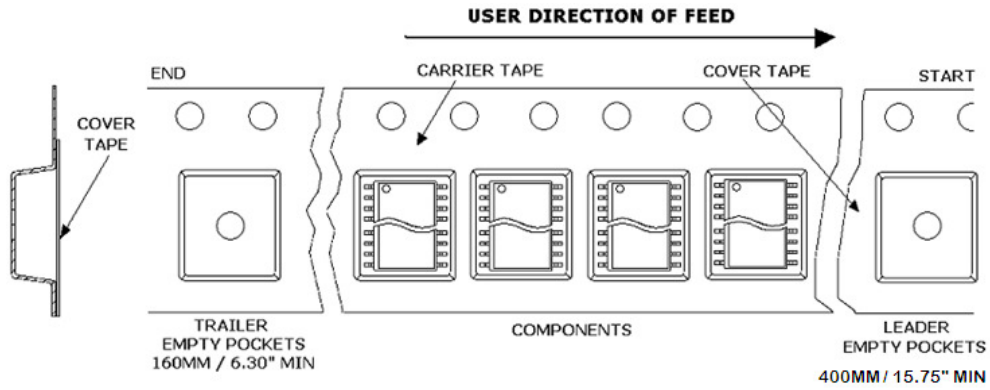
7.4.35. For Dallas Die Parts

Package	Package Code	Pin Count	Carrier Tape		Quantity per Reel		Pin 1 Orientation	EIA481-D Standard
			Width	Pitch	7"	13"		
uCSP	BF1223-2	12	8mm	4mm	N/A	10000	Quad 2 (Figure 10)	Quad 2
uCSP	BF411-1	4	8mm	4mm	N/A	10000	Quad 1	Quad 1
uCSP	BF211-1	2	8mm	4mm	N/A	10000	Quad 2 (Figure 10)	Quad 2
uCSP	BF211-2	2	8mm	4mm	N/A	10000	Quad 2 (Figure 10)	Quad 2
uCSP	BF823-1	8	8mm	4mm	N/A	10000	Quad 2 (Figure 10)	Quad 2
uCSP	BF1422-1	14	8mm	4mm	N/A	10000	Quad 1 (Figure 10)	Quad 1
uCSP	BF1522-1	15	8mm	4mm	N/A	10000	Quad 2 (Figure 10)	Quad 2
uCSP	BF411-3	4	8mm	4mm	N/A	10000	Quad 1 (Figure 10)	Quad 1
uCSP	BF422-1	4	8mm	4mm	N/A	10000	Quad 1 (Figure 10)	Quad 1
uCSP	BF611-1	6	8mm	4mm	N/A	10000	Quad 2 (Figure 10)	Quad 2
uCSP	BF623-3	6	8mm	4mm	N/A	10000	Quad 2 (Figure 10)	Quad 2
uCSP	BF622+1	6	8mm	4mm	N/A	10000	Quad 2 (Figure 10)	Quad 2
uCSP	BF823+1	8	8mm	4mm	N/A	10000	Quad 2 (Figure 10)	Quad 2

Maxim Integrated	TITLE: [PH/TH] [T&R/TEST PROD] STANDARD QUANTITY ON REEL AND ORIENTATION OF TAPE AND REEL		
	DOCUMENT I.D. 04-4051	REVISION X	PAGE 24

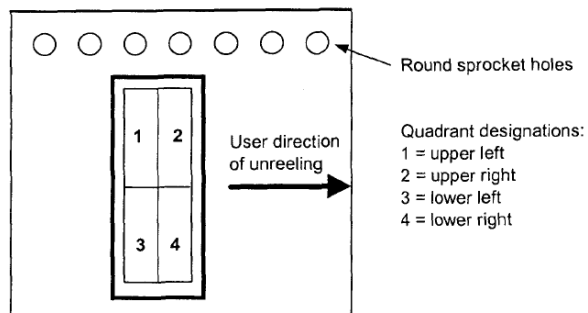
7.5. TAPE AND REEL ORIENTATION:

7.5.1. FIGURE 1: General Tape and Reel Orientation

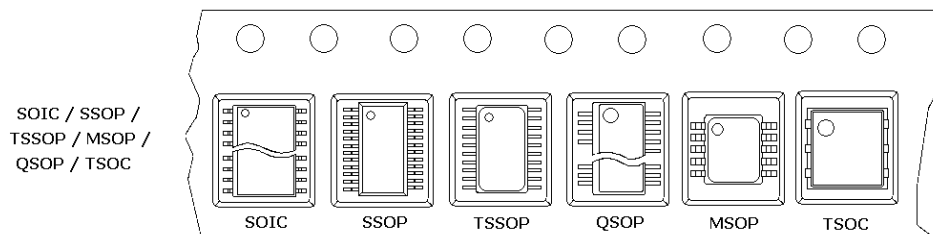


7.5.1.1. QUADRANT DESIGNATION

Use pin1 mark to determine the correct orientation of unit in reel

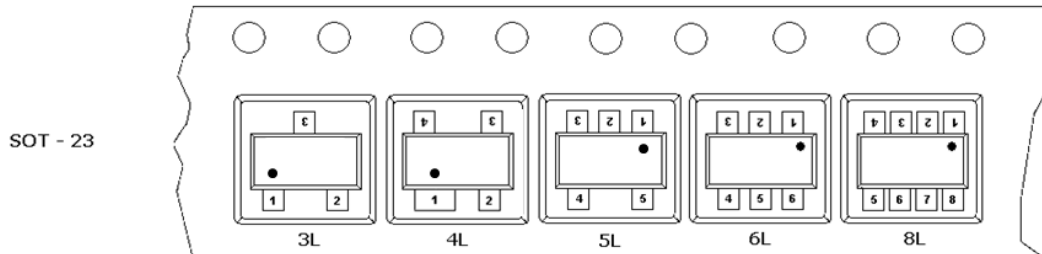


7.5.2. FIGURE 2: SOIC/SSOP/TSSOP/MSOP/QSOP/TSOC



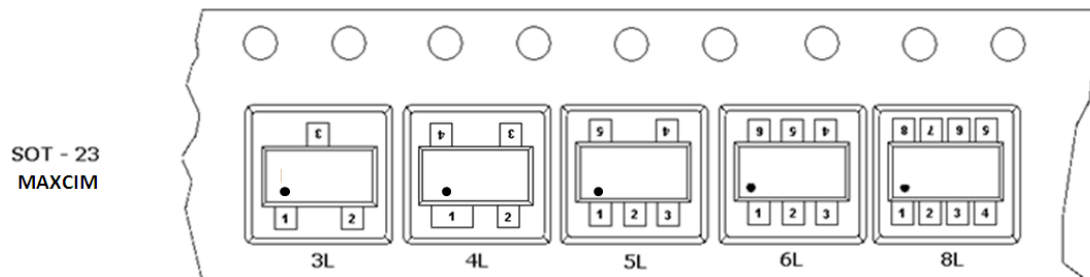
Maxim Integrated	TITLE: [PH/TH] [T&R/TEST PROD] STANDARD QUANTITY ON REEL AND ORIENTATION OF TAPE AND REEL		
	DOCUMENT I.D. 04-4051	REVISION X	PAGE 25

7.5.3. FIGURE 3a: SOT-23 Maxim Part Numbers (COMETS) – MAX prefix.



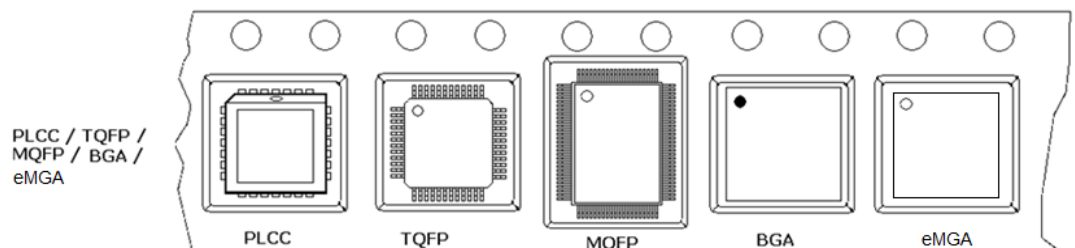
Note: For SOT-23 4L, pin1 is wider than other pins

7.5.4. FIGURE 3b: SOT-23 Dallas Part Numbers (MAXCIM) – DS prefix.

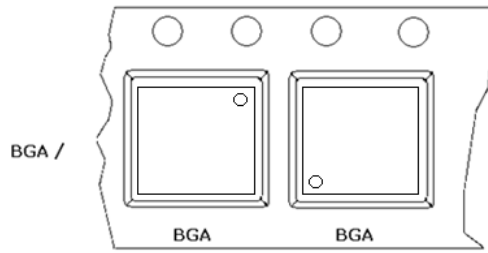


Note: For SOT-23 4L, pin1 is wider than other pins

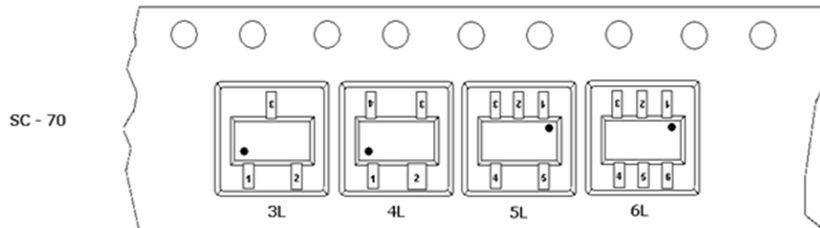
7.5.5. FIGURE 4: PLCC / TQFP / LQFP / MQFP / BGA / eMGA



Maxim Integrated	TITLE: [PH/TH] [T&R/TEST PROD] STANDARD QUANTITY ON REEL AND ORIENTATION OF TAPE AND REEL		
	DOCUMENT I.D. 04-4051	REVISION X	PAGE 26

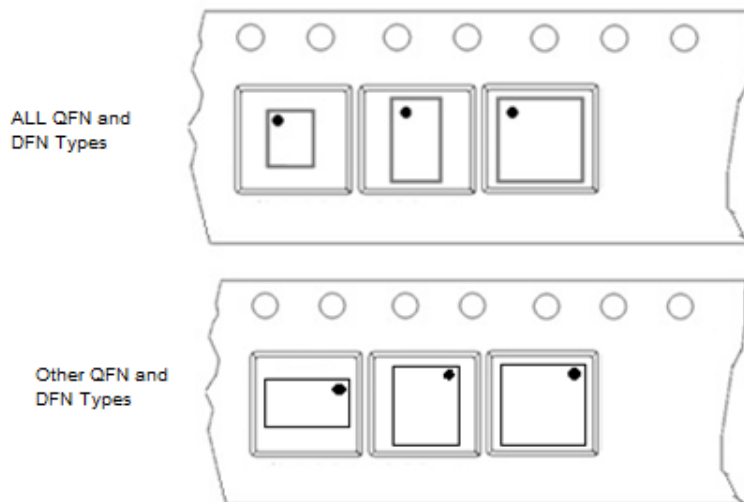


7.5.6. FIGURE 5: SC70

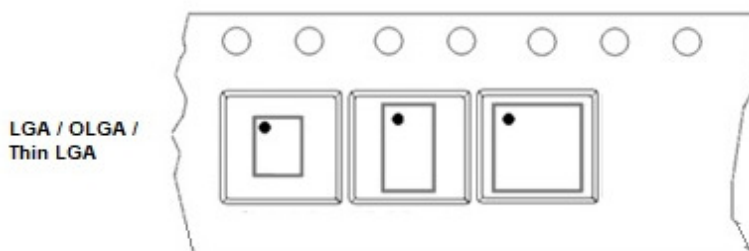


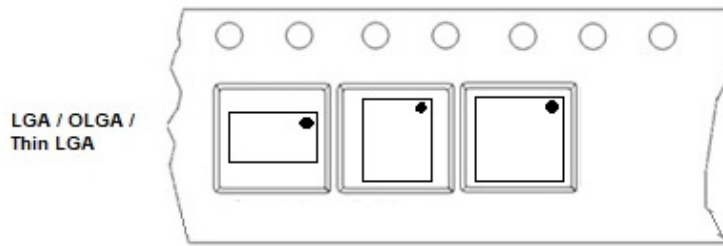
Note: For SC70 4L, pin2 is wider than other pins

7.5.7. FIGURE 6: [T/QFN](#) / [OTDFN](#) / [T/DFN](#) / [MRQ](#) / [WLQFN](#) / [RQFN](#) / [FCQFN](#) / [FC2QFN](#)

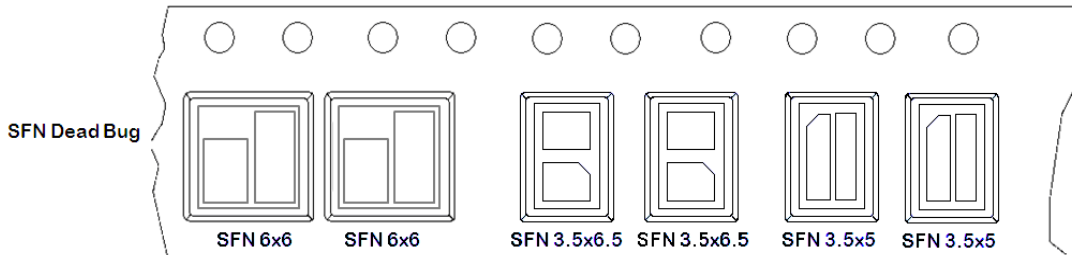


7.5.8. FIGURE 7: [LGA](#) / [OLGA](#) / [Thin LGA](#)

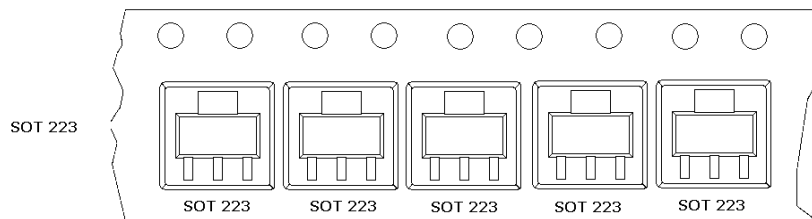




7.5.9. FIGURE 8: SFN DEAD BUG

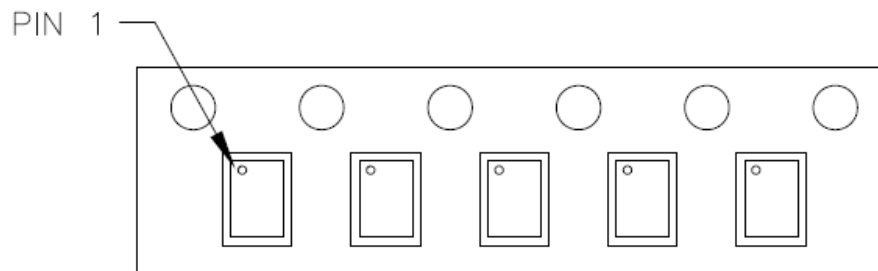


7.5.10. FIGURE 9: MECHANICAL POLARIZATION SOT 223 DEVICE



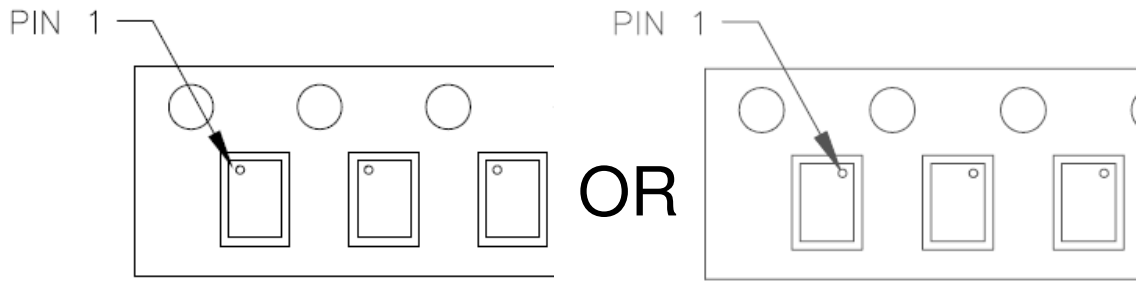
7.5.11. FIGURE 10: WLP/uCSP/uCSP-R.

FOR SQUARE DIE:



FOR RECTANGULAR DIE:

Maxim Integrated	TITLE: [PH/TH] [T&R/TEST PROD] STANDARD QUANTITY ON REEL AND ORIENTATION OF TAPE AND REEL		
	DOCUMENT I.D. 04-4051	REVISION X	PAGE 28



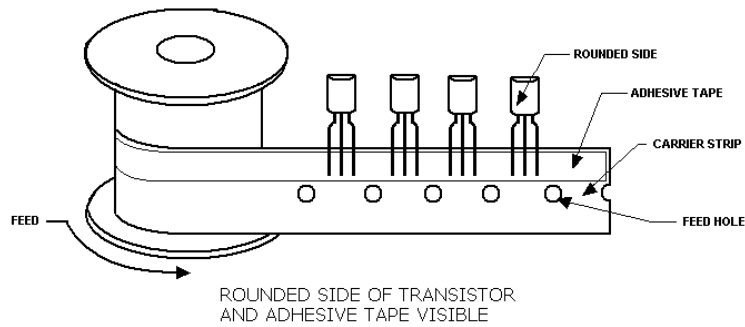
NOTE:

- A. For rectangular die, Component should be placed with it's longer side perpendicular to tape length with the Pin 1 indicator near the round sprocket hole.
- B. A component is considered square if the edges have a difference no greater than 0.3mm between the nominal length and width.

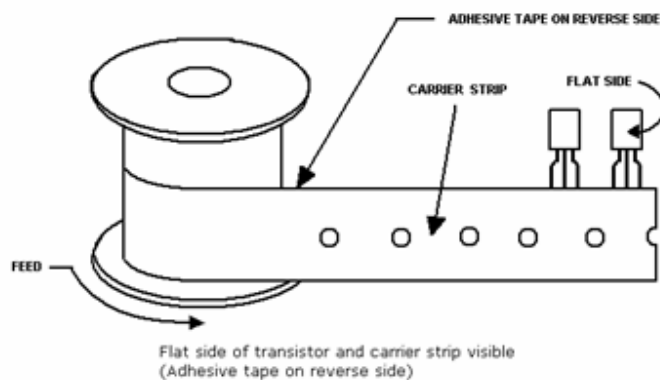
EXEMPTION TO ABOVE STANDARD:

- A. Customer Special Request for preferred orientation.
- B. Previously approved orientation by Customer.

7.5.12. FIGURE 11a: TO-92 Rounded side of Transistor and Adhesive Tape Visible (Style A).

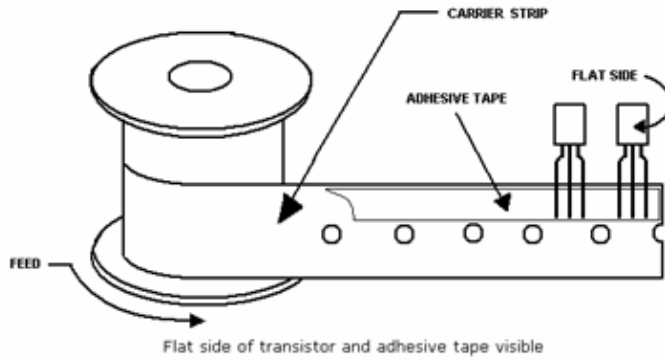


7.5.13. FIGURE 11b: Flat side of Transistor and Carrier Strip Visible (Style B)

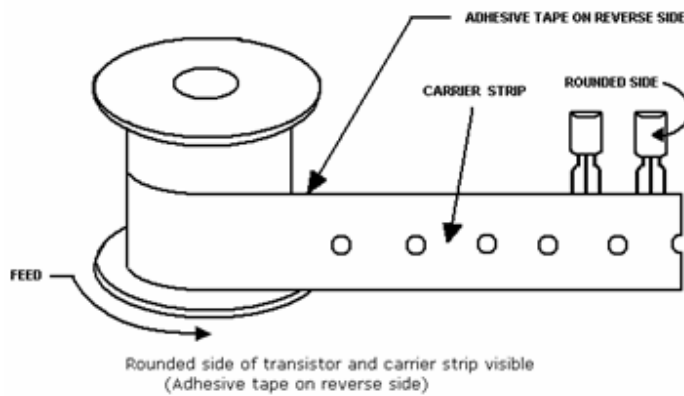


7.5.14. FIGURE 11c: Flat side of Transistor and Adhesive Tape Visible Style E

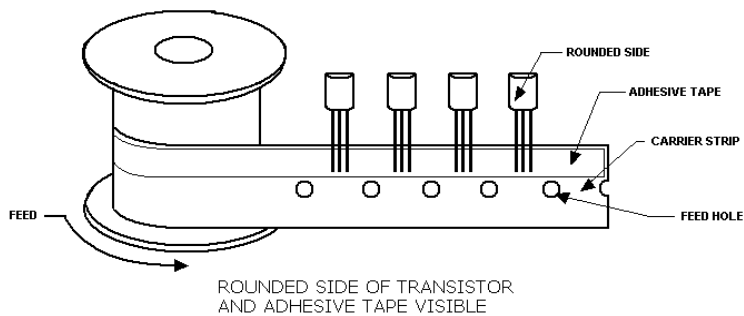
Maxim Integrated	TITLE: [PH/TH] [T&R/TEST PROD] STANDARD QUANTITY ON REEL AND ORIENTATION OF TAPE AND REEL		
	DOCUMENT I.D. 04-4051	REVISION X	PAGE 29



7.5.15. FIGURE 11d: Rounded side of transistor and carrier strip visible (Style F)



7.5.16. FIGURE 12: Rounded side transistor and adhesive tape visible (Style Straight Leads)



- 8. **ACCEPTANCE:** N/A
- 9. **DISPOSITION OF MATERIAL:** N/A
- 10. **DATA RECORDING:** N/A

Maxim Integrated	TITLE: [PH/TH] [T&R/TEST PROD] STANDARD QUANTITY ON REEL AND ORIENTATION OF TAPE AND REEL		
	DOCUMENT I.D. 04-4051	REVISION X	PAGE 30

11. **MAINTENANCE:**

N/A

12. **APPENDICES:**

N/A

Maxim Integrated	TITLE: [PH/TH] [T&R/TEST PROD] STANDARD QUANTITY ON REEL AND ORIENTATION OF TAPE AND REEL		
	DOCUMENT I.D. 04-4051	REVISION X	PAGE 31

REVISION HISTORY

REV	JUSTIFICATION OF ECN	DATE	INIT.
A	ECN PH-06-0621. Transferred from Doc. # 03-17-0061 to Doc. # 04-4051 in order to align with HQ-DC Standard Numbering System. Added standard orientation in tape of QFN and uDFN 1.5 x 1, 2x2 and 2x3 based on the Tape and Reel Procedures.	06/08/06	BJP
B	ECN PH-09-1417. Complete rewrite. Include guidelines for standard quantity per reel. Include standard orientation to all applicable packages in tape and reel.	11/28/09	AC
C	ECN # PH-10-0863. Complete rewrite.	06/07/10	AC/CS/AT
D	ECN # PH-10-1100. Included column for package at item 7.4. Changed orientation requirement for W161B1+1 and W423C3+1.	07/28/10	AC
E	CANCELED.	11/18/10	AC
F	CANCELED.	11/25/10	AC/CS
G	ECN # PH-10-1931. Added PH-B on the affected facility. Revised item #: 7.4.11, 7.4.19, 7.4.20 and 7.4.21.3. Added item # 7.4.22 – 7.4.25. Added note on item # 7.5.11.	01/04/11	AC/CS
H	ECN # PH-11-0181. ADDED IN NOTE OF 7.5.11 - B. A component is considered square if the edges have a difference no greater than 0.3mm between the nominal length and width.	03/03/11	CS
I	ECN # PH-11-2103. Removed 13" on reel size under SC70 since there is no 10,000 requirement for this package as per planning.	08/02/11	CS
J	ECN # PH-12-0048. Added 48 new WLP package types under Item 7.4.21.3. For WLP Packages Table and 7.5.1.1.	02/23/12	CS/AC/CS/JG
K	ECN # PH-12-0231. Revised item # 7.5.1.1, 7.5.3, 7.5.4, 7.5.5, 7.5.6, 7.5.7 and 7.5.8.	03/18/12	JG/CS/LO
L	ECN # PH-12-0308. Revised item # 7.5.1 and 7.5.8 to incorporate EIA 481 leader tape length requirement.	04/17/12	AC/CS/JG
M	ECN # PH-12-0800. Added package code item # 7.4.24. and included orientation on item # 7.5.9. for SFN3.5x6.5 and SFN3.5x5	07/31/12	JG
N	ECN # PH-12-1288. Major Specification due to change the format on Standard quantity per package. Included Quantity per reel, Pin 1 orientation and EIA481D requirement. Added new WLP packages W423E3+1, W202E2Z+1, W423B3+1, W2256C6+1, W121F1+1, W162G2+1, W252J2+1, W904C4+1, W61F0+1, W642B2+1, W252K2+1, W161E1+1, W1214A4+1, W563D3+1, W1695B5+2, W121G1+1, W121E2+1	10/09/12	AC/CS/JG
O	ECN # PH-13-0277. Update to include OS02 (oLGA 2.8x5.6x1.2) F142A5+1 package. Orientation requirement and quantity per reel.	02/15/13	AC
P	ECN # PH-13-0277. Update to include OS17 (oLGA 2.0x5.6x1.2) F142AB package. Orientation requirement and quantity per reel.	07/10/13	AC
Q	ECN # PH-13-2453. Revise item 7.4.22 on SOT U3 and U5, For 7" reel, quantity per reel 2,500 / 3,000. For 13" reel, quantity per reel 10,000. Revise orientation on item 7.5.8 for uDFN 1.5x1 from uDFN 1x1.5	10/29/13	AC
R	ECN # PH-14-1665. Added the following in table 7.4.14 For LGA Packages: LGA 4x13 LGA 6.5x10 LGA 9x15 OIGA 3.3x5.6. Added the following in table 7.5.8 Figure 7: 2.8x5.6; 3.3x5.6; 4x13; 6.5x10; 9x15	10/16/14	LO
S	ECN #PH-14-1806. Updated table 7.4.10 to include Scintera QFN 9x9 and 11x11 packages type.	11/17/14	LO
T	ECN#PH-15-0169. Updated items 7.4.14 and figure 6 for LGA 6.5X10 and 9X15 unit orientation from quad 1 to quad 2.	02/12/15	LO
U	ECN#PH-15-1340. Revised all 3x3 package types mentioned in items 7.4.11 and 7.4.13 .Removed PH-Batangas on the affected facility.	10/04/15	LO
W	ECN#PH-18-0366. Added Thai Language	02/20/18	KM/LO
X	ECN PH-18-2758. Revised items 7.4.3., 7.4.5., 7.4.6., 7.4.10., 7.4.12., 7.4.18., 7.4.19., 7.4.21., 7.4.23., - 7.4.27., 7.4.29., 7.4.31., 7.4.33., 7.4.34., 7.5.5., 7.5.7 and 7.5.8. Added items 7.4.11., 7.4.13.-7.4.17., 7.4.20., 7.4.22., 7.4.32.	08/02/18	LO

Maxim Integrated	TITLE: [PH/TH] [T&R/TEST PROD] STANDARD QUANTITY ON REEL AND ORIENTATION OF TAPE AND REEL		
	DOCUMENT I.D. 04-4051	REVISION X	PAGE 32

THAI VERSION DOCUMENT

ชื่อเอกสาร:

[PH/TH] [T&R/TEST PROD] STANDARD QUANTITY ON REEL AND ORIENTATION OF TAPE AND REEL

รหัสเอกสาร # **04-4051**

ฉบับปรับปรุงที่: **X**

เลขที่ ECN#: **PH-18-2758** วันที่เริ่มใช้เอกสาร: **08/02/2018**

ผู้ออกเอกสาร: **LEONARDO ONTIVEROS**

MOST RECENT CHANGES

FROM	TO
Current revision	Revised the following tables: 7.4.3. For other SOIC Packages (0.208" and 0.330") - removed body size in pin count column. 7.4.5. For SSOP Packages (0.209" and 0.300") - removed body size in pin count column.
Maxim Integrated	TITLE: [PH/TH] [T&R/TEST PROD] STANDARD QUANTITY ON REEL AND ORIENTATION OF TAPE AND REEL
	DOCUMENT I.D. 04-4051
	REVISION X
	PAGE 33

7.4.6. For TSSOP Packages (0.173" and 0.240") – removed body size in pin count column and added U56.

7.4.10. For QFN Packages – removed body size in pin count column and added new package codes.

7.4.12. For Thin QFN Packages - removed body size in pin count column and added new package codes.

7.4.18. For uDFN Packages – added new package codes

7.4.19. For Thin DFN Packages – removed body size in pin count column and added new package codes.

7.4.21. For LGA Packages – removed body size in pin count column and added new package codes.

7.4.23. For Thin and Ultra Thin LGA Packages - removed body size in pin count column and added new package codes.

7.4.24. For LQFP / TQFP Packages – added body size and new package codes.

7.4.25. For MQFP Packages - added body size and new package codes.

7.4.26. For PLCC Packages - added body size and new package codes.

7.4.27. For BGA Packages - added body size and new package codes.

7.4.29. TO92 Parts – added body size and new package codes.

7.4.31. For SOT Packages – added body size

7.4.33. For SC70 Packages – added body size

7.4.34. For SFN and Ultra SFN Packages – added body size and Ultra SFN

Added new tables:

7.4.11. For Extreme and Ultra TQFN Packages

7.4.13. For Sawn QFN Packages

7.4.14. For FC/FC2 QFN Packages

7.4.15. Routable QFN Packages

7.4.16. WL – QFN Packages

7.4.17. For Multi Row QFN (MRQ) Packages

7.4.20. For other DFN (DFN, Opto TDFN, Ultra TDFN) Packages

7.4.22. For Optical LGA Packages

7.4.32. For Thin SOT Packages

Revised Figures:

7.5.5. FIGURE 4: PLCC / TQFP / LQFP / MQFP / BGA / eMGA

7.5.7. FIGURE 6: T/QFN / OTDFN / T/DFN / MRQ / WLQFN / RQFN / FCQFN / FC2QFN

Maxim Integrated	TITLE: [PH/TH] [T&R/TEST PROD] STANDARD QUANTITY ON REEL AND ORIENTATION OF TAPE AND REEL		
	DOCUMENT I.D. 04-4051	REVISION X	PAGE 34

7.5.8. FIGURE 7: LGA / OLGA / Thin LGA

Maxim Integrated

TITLE: [PH/TH] [T&R/TEST PROD] STANDARD QUANTITY ON REEL
AND ORIENTATION OF TAPE AND REEL

DOCUMENT I.D.
04-4051

REVISION
X

PAGE
35

สารบัญ

ชื่อเอกสาร	37
วัตถุประสงค์.....	37
ขอบเขต	37
ข้อกำหนดและเงื่อนไข	37
เอกสารที่ใช้	37
เครื่องมือและอุปกรณ์	37
ข้อกำหนดทั่วไป	37
ความปลอดภัย	37
ความชื้นสัมพัทธ์.....	37
บรรจุภัณฑ์ที่ต้องการ	37
จำนวนมาตรฐานแต่ละ	38
ทิศทางของตัวงานที่บรรจุใน TAPE AND REEL	57
การยอมรับ	63
การจัดการวัสดุ	63
การบันทึกข้อมูล	63
การบำรุงรักษา:	63
ภาคผนวก:	63
REVISION HISTORY	64

Maxim Integrated	TITLE: [PH/TH] [T&R/TEST PROD] STANDARD QUANTITY ON REEL AND ORIENTATION OF TAPE AND REEL		
	DOCUMENT I.D. 04-4051	REVISION X	PAGE 36

1. ชื่อเอกสาร : [PH/TH] [T&R/TEST PROD] STANDARD QUANTITY ON REEL AND ORIENTATION OF TAPE AND REEL
2. วัตถุประสงค์:
 - 2.1. เพื่อให้ข้อมูลเกี่ยวกับความต้องการบรรจุภัณฑ์ที่แตกต่างกันสำหรับแต่ละประเภทบรรจุภัณฑ์
 - 2.2. เพื่อให้คำแนะนำสำหรับปริมาณมาตรฐานต่อรีล
 - 2.3. เพื่อให้ข้อมูลการวางทิศทางของงานที่ต่างPackage และ Carrier Tape
 - 2.4. เพื่อใช้เป็นข้อมูลอ้างอิงสำหรับข้อมูลสำหรับเว็บไซต์ภายนอกของ Tape และ Reel
3. ขอบเขต
 - 3.1. ขั้นตอนนี้ครอบคลุมแพคเกจทั้งหมดที่ผ่านกระบวนการ Tape และ Reel
4. ข้อกำหนดและเงื่อนไข: ไม่มี
5. เอกสารที่ใช้:
 - 5.1. 07-4018 Processing of lots in Tape and Reel
6. เครื่องมือและอุปกรณ์:
 - 6.1. Tape & Reel Machines
 - 6.2. Peel Back Force Tester
 - 6.3. Carrier Tapes
 - 6.4. Cover Tapes
7. ข้อกำหนดทั่วไป:
 - 7.1. ความปลอดภัย:
 - 7.1.1. ต้องทำงานภายใต้พื้นที่ป้องกันไฟฟ้าสถิตย์
 - 7.1.2. พนักงานต้องสวมสายกราวด์อย่างเหมาะสมขณะสัมผัสงาน
 - 7.1.3. เก็บมือเพื่อป้องกันอันตรายกรณีพนักงานด้วยความร้อน
 - 7.2. ความชื้นสัมพัทธ์:
 - 7.2.1. ช่วงความชื้นสัมพัทธ์ที่ยอมรับได้คือ 35-60% RH
 - 7.2.2. หากระดับความชื้นต่ำกว่าช่วงนี้จะต้องแจ้งFacility เพื่อทำการแก้ไข
 - 7.3. บรรจุภัณฑ์ที่ต้องการ:
 - 7.3.1. บรรจุภัณฑ์ต้องอยู่ในสภาพที่เหมาะสมในระหว่างการขนส่ง
 - 7.3.2. บรรจุภัณฑ์ต้องมีการป้องกันอย่างเพียงพอจากไฟฟ้าสถิตย์ และอันตรายต่อการขนส่ง
 - 7.3.3. การบรรจุหีบห่อของบรรจุภัณฑ์ต้องง่ายต่อการบรรจุเข้าและออก

Maxim Integrated	TITLE: [PH/TH] [T&R/TEST PROD] STANDARD QUANTITY ON REEL AND ORIENTATION OF TAPE AND REEL		
	DOCUMENT I.D. 04-4051	REVISION X	PAGE 37

7.4. จำนวนมาตรฐานแต่ละ

7.4.1. For SOIC (0.150") Packages

Package	Package Code	Pin Count	Carrier Tape		Quantity per Reel		Pin 1 Orientation	EIA481-D Standard
			Width	Pitch	7"	13"		
SOIC (0.150")	S14	14	16mm	12mm	N/A	2500	Quad 1 (Figure 2)	Quad 1
SOIC (0.150")	S16	16	16mm	12mm	N/A	2500	Quad 1 (Figure 2)	Quad 1
SOIC (0.150")	S8	8	12mm	8mm	N/A	2500	Quad 1 (Figure 2)	Quad 1

7.4.2. For SOIC (0.300") Packages

Package	Package Code	Pin Count	Carrier Tape		Quantity per Reel		Pin 1 Orientation	EIA481-D Standard
			Width	Pitch	7"	13"		
SOIC (0.300")	W16	16	16mm	12mm	N/A	1000	Quad 1 (Figure 2)	Quad 1
SOIC (0.300")	W18	18	24mm	16mm	N/A	1000	Quad 1 (Figure 2)	Quad 1
SOIC (0.300")	W20	20	24mm	12mm	N/A	1000	Quad 1 (Figure 2)	Quad 1
SOIC (0.300")	W24	24	24mm	12mm	N/A	1000	Quad 1 (Figure 2)	Quad 1
SOIC (0.300")	W28	28	24mm	12mm	N/A	1000	Quad 1 (Figure 2)	Quad 1

7.4.3. For other SOIC Packages (0.208" and 0.330")

Package	Package Code	Pin Count	Carrier Tape		Quantity per Reel		Pin 1 Orientation	EIA481-D Standard
			Width	Pitch	7"	13"		
SOIC (0.330")	F28	28 / 0.330"	24mm	20mm	N/A	1000	Quad 1 (Figure 2)	Quad 1
SOIC (0.208")	W8	8 / 0.208"	16mm	12mm	N/A	2000	Quad 1 (Figure 2)	Quad 1

7.4.4. For QSOP (0.150") Packages

Package	Package Code	Pin Count	Carrier Tape		Quantity per Reel		Pin 1 Orientation	EIA481-D Standard
			Width	Pitch	7"	13"		
QSOP (0.150")	E16	16	12mm	8mm	N/A	2500	Quad 1 (Figure 2)	Quad 1
QSOP (0.150")	E20	20	16mm	8mm	N/A	2500	Quad 1 (Figure 2)	Quad 1
QSOP (0.150")	E24	24	16mm	8mm	N/A	2500	Quad 1 (Figure 2)	Quad 1
QSOP (0.150")	E28	28	16mm	8mm	N/A	2500	Quad 1 (Figure 2)	Quad 1

7.4.5. For SSOP Packages (0.209" and 0.300")

Package	Package Code	Pin Count	Carrier Tape		Quantity per Reel		Pin 1 Orientation	EIA481-D Standard
			Width	Pitch	7"	13"		
SSOP (0.209")	A14	14 / 0.209"	16mm	12mm	N/A	2000	Quad 1 (Figure 2)	Quad 1
SSOP (0.209")	A16	16 / 0.209"	16mm	12mm	N/A	2000	Quad 1 (Figure 2)	Quad 1
SSOP (0.209")	A20	20 / 0.209"	16mm	12mm	N/A	2000	Quad 1 (Figure 2)	Quad 1
SSOP (0.209")	A24	24 / 0.209"	16mm	12mm	N/A	2000	Quad 1 (Figure 2)	Quad 1
SSOP (0.209")	A28	28 / 0.209"	16mm	12mm	N/A	2000	Quad 1 (Figure 2)	Quad 1
SSOP (0.300")	A36	36 / 0.300"	24mm	12mm	N/A	1000	Quad 1 (Figure 2)	Quad 1
SSOP (0.300")	A44	44 / 0.300"	24mm	12mm	N/A	1000	Quad 1 (Figure 2)	Quad 1
SSOP (0.300")	A48	48 / 0.300"	24mm	12mm	N/A	1000	Quad 1 (Figure 2)	Quad 1

Maxim Integrated	TITLE: [PH/TH] [T&R/TEST PROD] STANDARD QUANTITY ON REEL AND ORIENTATION OF TAPE AND REEL		
	DOCUMENT I.D. 04-4051	REVISION X	PAGE 38

7.4.6. For TSSOP Packages (0.173" and 0.240")

Package	Package Code	Pin Count	Carrier Tape		Quantity per Reel		Pin 1 Orientation	EIA481-D Standard
			Width	Pitch	7"	13"		
TSSOP (0.173")	H8	8 / 0.173"	12mm	8mm	N/A	2500	Quad 1 (Figure 2)	Quad 1
TSSOP (0.173")	U14	14 / 0.173"	16mm	8mm	N/A	2500	Quad 1 (Figure 2)	Quad 1
TSSOP (0.173")	U16	16 / 0.173"	16mm	8mm	N/A	2500	Quad 1 (Figure 2)	Quad 1
TSSOP (0.173")	U20	20 / 0.173"	16mm	8mm	N/A	2500	Quad 1 (Figure 2)	Quad 1
TSSOP (0.173")	U24	24 / 0.173"	16mm	8mm	N/A	2500	Quad 1 (Figure 2)	Quad 1
TSSOP (0.173")	U28	28 / 0.173"	16mm	8mm	N/A	2500	Quad 1 (Figure 2)	Quad 1
TSSOP (0.173")	U38	38 / 0.173"	16mm	8mm	N/A	2500	Quad 1 (Figure 2)	Quad 1
TSSOP (0.240")	U48	48 / 0.240"	24mm	12mm	N/A	2500	Quad 1 (Figure 2)	Quad 1
TSSOP (0.240")	U56	56	24mm	12mm	N/A	2500	Quad 1 (Figure 2)	Quad 1

7.4.7. For TSOP Packages (8 x 13.4)

Package	Package Code	Pin Count	Carrier Tape		Quantity per Reel		Pin 1 Orientation	EIA481-D Standard
			Width	Pitch	7"	13"		
TSOP (8x13.4)	Z28	28	24mm	12mm	N/A	2500	Quad 1 (Figure 2)	Quad 1

7.4.8. For TSOC Packages (0.150")

Package	Package Code	Pin Count	Carrier Tape		Quantity per Reel		Pin 1 Orientation	EIA481-D Standard
			Width	Pitch	7"	13"		
TSOC (0.150")	D6	6	12mm	8mm	N/A	4000	Quad 1 (Figure 2)	Quad 1

7.4.9. For MSOP Packages (0.118")

Package	Package Code	Pin Count	Carrier Tape		Quantity per Reel		Pin 1 Orientation	EIA481-D Standard
			Width	Pitch	7"	13"		
MSOP (0.118")	U8	8	12mm	8mm	N/A	2500/3000	Quad 1 (Figure 2)	Quad 1
MSOP (0.118")	U10	10	12mm	8mm	N/A	2500/3000	Quad 1 (Figure 2)	Quad 1

7.4.10. For QFN Packages

Package	Package Code	Pin Count	Carrier Tape		Quantity per Reel		Pin 1 Orientation	EIA481-D Standard
			Width	Pitch	7"	13"		
QFN 3x3	G833	8	12mm	8mm	N/A	2500	Quad 1 (Figure 6)	Quad 2
QFN 3x3	G1233	12	12mm	8mm	N/A	2500	Quad 1 (Figure 6)	Quad 2
QFN 3x3	G1633	16	12mm	8mm	N/A	2500	Quad 1 (Figure 6)	Quad 2
QFN 4x4	G1244	12	12mm	8mm	N/A	2500	Quad 1 (Figure 6)	Quad 2
QFN 4x4	G1644	16	12mm	8mm	N/A	2500	Quad 1 (Figure 6)	Quad 2
QFN 4x4	G2044	20	12mm	8mm	N/A	2500	Quad 1 (Figure 6)	Quad 2
QFN 4x4	G2444	24	12mm	8mm	N/A	2500	Quad 1 (Figure 6)	Quad 2
QFN 5x5	G1655	16	12mm	8mm	N/A	2500	Quad 1 (Figure 6)	Quad 2
QFN 5x5	G2055	20	12mm	8mm	N/A	2500	Quad 1 (Figure 6)	Quad 2
QFN 5x5	G2855	28	12mm	8mm	N/A	2500	Quad 1 (Figure 6)	Quad 2
QFN 5x5	G3255	32	12mm	8mm	N/A	2500	Quad 1 (Figure 6)	Quad 2
QFN 5x5	G3655	36	12mm	8mm	N/A	2500	Quad 1 (Figure 6)	Quad 2
QFN 5x6	G2356	23	16mm	12mm	N/A	2500	Quad 1 (Figure 6)	Quad 2

Maxim Integrated

TITLE: [PH/TH] [T&R/TEST PROD] STANDARD QUANTITY ON REEL AND ORIENTATION OF TAPE AND REEL

DOCUMENT I.D.
04-4051

REVISION
X

PAGE
39

QFN 6x6	G3666	36	16mm	12mm	N/A	2500	Quad 1 (Figure 6)	Quad 2
QFN 6x6	G4066	40	16mm	12mm	N/A	2500	Quad 1 (Figure 6)	Quad 2
QFN 6x6	G4866	48	16mm	12mm	N/A	2500	Quad 1 (Figure 6)	Quad 2
QFN 7x7	G3277	32	16mm	12mm	N/A	2500	Quad 1 (Figure 6)	Quad 2
QFN 7x7	G4477	44	16mm	12mm	N/A	2500	Quad 1 (Figure 6)	Quad 2
QFN 7x7	G4877	48	16mm	12mm	N/A	2500	Quad 1 (Figure 6)	Quad 2
QFN 7x7	G5677	56	16mm	12mm	N/A	2500	Quad 1 (Figure 6)	Quad 2
QFN 8x8	G4288	42	16mm	12mm	N/A	2500	Quad 1 (Figure 6)	Quad 2
QFN 8x8	G5288	52	16mm	12mm	N/A	2500	Quad 1 (Figure 6)	Quad 2
QFN 8x8	G5688	56	16mm	12mm	N/A	2500	Quad 1 (Figure 6)	Quad 2
QFN 8x8	G6888	68	16mm	12mm	N/A	2500	Quad 1 (Figure 6)	Quad 2
QFN 9x9	G6499	64	16mm	12mm	N/A	2500	Quad 1 (Figure 6)	Quad 2
QFN 10x10	G6800	68	24mm	16mm	N/A	2500	Quad 1 (Figure 6)	Quad 2
QFN 11x11	K8011	80	24mm	16mm	500	N/A	Quad 1 (Figure 6)	Quad 2

7.4.11. For Extreme and Ultra TQFN Packages

Package	Package Code	Pin Count	Carrier Tape		Quantity per Reel		Pin 1 Orientation	EIA481-D Standard
			Width	Pitch	7"	13"		
Extreme TQFN 3x3	E1633	16	8mm	4mm	2500	N/A	Quad 1 (Figure 6)	Quad 2
Ultra TQFN 1.4x1.8	V101A1	10	8mm	4mm	2500	N/A	Quad 1 (Figure 6)	Quad 1
Ultra TQFN 2.1x1.6	V101A2	10	8mm	4mm	2500	N/A	Quad 1 (Figure 6)	Quad 1
Ultra TQFN 2.5x2.5	V162A2	10	8mm	4mm	2500	N/A	Quad 1 (Figure 6)	Quad 2
Ultra TQFN 3.5x4.5	V283A4	28	12mm	8mm	N/A	5000	Quad 1 (Figure 6)	Quad 1
Ultra TQFN 6x6	V4866	48	16mm	12mm	N/A	2500	Quad 1 (Figure 6)	Quad 2

7.4.12. For Thin QFN Packages

Package	Package Code	Pin Count	Carrier Tape		Quantity per Reel		Pin 1 Orientation	EIA481-D Standard
			Width	Pitch	7"	13"		
Thin QFN 3x3	T1233	12	8mm	4mm	2500	N/A	Quad 1 (Figure 6)	Quad 2
Thin QFN 3x3	T1633	16	8mm	4mm	2500	N/A	Quad 1 (Figure 6)	Quad 2
Thin QFN 3x3	TQ833	8	8mm	4mm	2500	N/A	Quad 1 (Figure 6)	Quad 2
Thin QFN 3x3	T2433	24	8mm	4mm	2500	N/A	Quad 1 (Figure 6)	Quad 2
Thin QFN 3.5x3.5	T243A3	24	12mm	8mm	N/A	2500	Quad 1 (Figure 6)	Quad 2
Thin QFN 3.5x3.5	T203A3	20	12mm	8mm	N/A	2500	Quad 1 (Figure 6)	Quad 2
Thin QFN 3.5x5.5	T283555	28	12mm	8mm	N/A	2500	Quad 1 (Figure 6)	Quad 1
Thin QFN 3.5x5.5	T283A5	28	12mm	8mm	N/A	2500	Quad 1 (Figure 6)	Quad 1
Thin QFN 3.5x9	T423590	42	16mm	8mm	N/A	2500	Quad 1 (Figure 6)	Quad 1
Thin QFN 4x4	T1244	12	12mm	8mm	N/A	2500	Quad 1 (Figure 6)	Quad 2
Thin QFN 4x4	T1644	16	12mm	8mm	N/A	2500	Quad 1 (Figure 6)	Quad 2
Thin QFN 4x4	T2044	20	12mm	8mm	N/A	2500	Quad 1 (Figure 6)	Quad 2

Maxim Integrated

TITLE: [PH/TH] [T&R/TEST PROD] STANDARD QUANTITY ON REEL AND ORIENTATION OF TAPE AND REEL

DOCUMENT I.D.
04-4051

REVISION
X

PAGE
40

Thin QFN 4x4	T2444	24	12mm	8mm	N/A	2500	Quad 1 (Figure 6)	Quad 2
Thin QFN 4x4	T2844	28	12mm	8mm	N/A	2500	Quad 1 (Figure 6)	Quad 2
Thin QFN 4x4	T3244	32	12mm	8mm	N/A	2500	Quad 1 (Figure 6)	Quad 2
Thin QFN 4x5	T2045	20	12mm	8mm	N/A	2500	Quad 1 (Figure 6)	Quad 1
Thin QFN 4x5	T2445	24	12mm	8mm	N/A	2500	Quad 1 (Figure 6)	Quad 1
Thin QFN 4x5	T3645	36	12mm	8mm	N/A	2500	Quad 2 (Figure 6)	Quad 1
Thin QFN 5x5	T1655	16	12mm	8mm	N/A	2500	Quad 1 (Figure 6)	Quad 2
Thin QFN 5x5	T2055	20	12mm	8mm	N/A	2500	Quad 1 (Figure 6)	Quad 2
Thin QFN 5x5	T2855	28	12mm	8mm	N/A	2500	Quad 1 (Figure 6)	Quad 2
Thin QFN 5x5	T3255	32	12mm	8mm	N/A	2500	Quad 1 (Figure 6)	Quad 2
Thin QFN 5x5	T4055	40	12mm	8mm	N/A	2500	Quad 1 (Figure 6)	Quad 2
Thin QFN 5x6	T3256	32	16mm	12mm	N/A	2500	Quad 1 (Figure 6)	Quad 1
Thin QFN 5x7	T3857	38	16mm	8mm	N/A	2500	Quad 1 (Figure 6)	Quad 1
Thin QFN 5x11	T56511	56	24mm	12mm	N/A	2500	Quad 1 (Figure 6)	Quad 1
Thin QFN 6x6	T3666	36	16mm	12mm	N/A	2500	Quad 1 (Figure 6)	Quad 2
Thin QFN 6x6	T4066	40	16mm	12mm	N/A	2500	Quad 1 (Figure 6)	Quad 2
Thin QFN 6x6	T4866	48	16mm	12mm	N/A	2500	Quad 1 (Figure 6)	Quad 2
Thin QFN 6x8	T4868	48	16mm	12mm	N/A	2500	Quad 1 (Figure 6)	Quad 2
Thin QFN 7x7	T3277	32	16mm	12mm	N/A	2500	Quad 1 (Figure 6)	Quad 2
Thin QFN 7x7	T4477	44	16mm	12mm	N/A	2500	Quad 1 (Figure 6)	Quad 2
Thin QFN 7x7	T4877	48	16mm	12mm	N/A	2500	Quad 1 (Figure 6)	Quad 2
Thin QFN 7x7	T5677	56	16mm	12mm	N/A	2500	Quad 1 (Figure 6)	Quad 2
Thin QFN 8x6	T4886	48	16mm	12mm	N/A	2500	Quad 1 (Figure 6)	Quad 1
Thin QFN 8x8	T5688	56	16mm	12mm	N/A	2500	Quad 1 (Figure 6)	Quad 2
Thin QFN 8x8	T6888	68	16mm	12mm	N/A	2500	Quad 1 (Figure 6)	Quad 2
Thin QFN 9x9	T6499	64	16mm	12mm	N/A	2500	Quad 1 (Figure 6)	Quad 2
Thin QFN 10x10	T6800	68	24mm	16mm	N/A	2500	Quad 1 (Figure 6)	Quad 2

7.4.13. For Sawn QFN Packages

Package	Package Code	Pin Count	Carrier Tape		Quantity per Reel		Pin 1 Orientation	EIA481-D Standard
			Width	Pitch	7"	13"		
Sawn QFN 4x4	K2844	28	12mm	8mm	N/A	2500	Quad 1 (Figure 6)	Quad 2
Sawn QFN 5x5	K3255	32	12mm	8mm	N/A	2500	Quad 1 (Figure 6)	Quad 2
Sawn QFN 6x6	K3666	36	16mm	12mm	N/A	2500	Quad 1 (Figure 6)	Quad 2
Sawn QFN 6x6	K4866	48	16mm	12mm	N/A	2500	Quad 1 (Figure 6)	Quad 2
Sawn QFN 7x7	K4877	48	16mm	12mm	N/A	2500	Quad 1 (Figure 6)	Quad 2
Sawn QFN 9x9	K6499	64	16mm	12mm	N/A	2500	Quad 1 (Figure 6)	Quad 2
Sawn QFN 11x11	K8011	80	24mm	16mm	N/A	2500	Quad 1 (Figure 6)	Quad 2

7.4.14. For FC/FC2 QFN Packages

Package	Package Code	Pin Count	Carrier Tape		Quantity per Reel		Pin 1 Orientation	EIA481-D Standard
			Width	Pitch	7"	13"		
FCQFN 2.7x4.2	P122A4	12	12mm	8mm	N/A	2500	Quad 1 (Figure 6)	Quad 1
FCQFN 2.7x6.2	P162A6	16	12mm	8mm	N/A	2500	Quad 1 (Figure 6)	Quad 1
FCQFN 3.1x2.85	P133B2	13	12mm	8mm	N/A	2500	Quad 1 (Figure 6)	Quad 1

Maxim Integrated

TITLE: [PH/TH] [T&R/TEST PROD] STANDARD QUANTITY ON REEL AND ORIENTATION OF TAPE AND REEL

DOCUMENT I.D.
04-4051

REVISION
X

PAGE
41

FCQFN 3.25x2.5	P133A2	13	12mm	8mm	N/A	2500	Quad 1 (Figure 6)	Quad 1
FCQFN 3.25x3.5	P153A3	15	12mm	8mm	N/A	2500	Quad 1 (Figure 6)	Quad 1
FCQFN 3.25x3.75	P173A3	17	12mm	8mm	N/A	2500	Quad 1 (Figure 6)	Quad 1
FCQFN 3.25x4.5	P173A4	17	12mm	8mm	N/A	2500	Quad 1 (Figure 6)	Quad 1
FCQFN 3.25x6.5	P213A6	21	16mm	8mm	N/A	2500	Quad 1 (Figure 6)	Quad 1
FCQFN 3.25x8.5	P223A8	22	16mm	8mm	N/A	2500	Quad 1 (Figure 6)	Quad 1
FCQFN 3.25x8.75	P223B8	22	16mm	8mm	N/A	2500	Quad 1 (Figure 6)	Quad 1
FCQFN 3.5x8.1	P203A8	20	16mm	8mm	N/A	2500	Quad 1 (Figure 6)	Quad 1
FCQFN 3.75x3.5	P153B3	15	12mm	8mm	N/A	2500	Quad 1 (Figure 6)	Quad 1
FCQFN 3.75x4	P123A4	12	12mm	8mm	N/A	2500	Quad 1 (Figure 6)	Quad 1
FCQFN 3.75x4	P163B4	16	12mm	8mm	N/A	2500	Quad 1 (Figure 6)	Quad 1
FCQFN 3.75x5	P143A5	14	12mm	8mm	N/A	2500	Quad 1 (Figure 6)	Quad 1
FCQFN 3.75x5	P183A5	18	12mm	8mm	N/A	2500	Quad 1 (Figure 6)	Quad 1
FCQFN 3.75x6	P163A6	16	12mm	8mm	N/A	2500	Quad 1 (Figure 6)	Quad 1
FCQFN 3.75x6	P203A6	20	12mm	8mm	N/A	2500	Quad 1 (Figure 6)	Quad 1
FCQFN 4x4.5	P94A4	9	12mm	8mm	N/A	2500	Quad 1 (Figure 6)	Quad 1
FCQFN 4x4.5	P174A4	17	12mm	8mm	N/A	2500	Quad 1 (Figure 6)	Quad 1
FCQFN 4x4.5	P184A4	18	12mm	8mm	N/A	2500	Quad 1 (Figure 6)	Quad 1
FCQFN 4X5	P1845	18	12mm	8mm	N/A	2500	Quad 1 (Figure 6)	Quad 1
FCQFN 4x5.5	P194A5	19	12mm	8mm	N/A	2500	Quad 1 (Figure 6)	Quad 1
FCQFN 4x6.5	P214A6	21	12mm	8mm	N/A	2500	Quad 1 (Figure 6)	Quad 1
FCQFN 4x6.5	P224A6	22	12mm	8mm	N/A	2500	Quad 1 (Figure 6)	Quad 1
FCQFN 4.15x6	P104A6	10	12mm	8mm	N/A	2500	Quad 1 (Figure 6)	Quad 1
FCQFN 4.15x6	P154A6	15	12mm	8mm	N/A	2500	Quad 1 (Figure 6)	Quad 1
FCQFN 4.15x6	P174A6	17	12mm	8mm	N/A	2500	Quad 1 (Figure 6)	Quad 1
FCQFN 4.15x8	P154A8	15	24mm	8mm	N/A	2500	Quad 1 (Figure 6)	Quad 1
FCQFN 4.15x8.75	P164A8	16	24mm	8mm	N/A	2500	Quad 1 (Figure 6)	Quad 1
FCQFN 4.15x9	P154A9	15	24mm	8mm	N/A	2500	Quad 1 (Figure 6)	Quad 1
FCQFN 4.15x9	P234A9	23	24mm	8mm	N/A	2500	Quad 1 (Figure 6)	Quad 1
FCQFN 4.5x4.5	P194A4	19	12mm	8mm	N/A	2500	Quad 1 (Figure 6)	Quad 2
FCQFN 4.5x5.5	P214A5	21	12mm	8mm	N/A	2500	Quad 1 (Figure 6)	Quad 1
FCQFN 4.5x6.5	P234A6	23	16mm	8mm	N/A	2500	Quad 1 (Figure 6)	Quad 1
FCQFN 5x6.5	P105A6	10	16mm	8mm	N/A	2500	Quad 1 (Figure 6)	Quad 1
FCQFN 5.8x3	P105A3	10	12mm	8mm	N/A	2500	Quad 1 (Figure 6)	Quad 1
FCQFN 7.5x5.25	P197A5	19	16mm	8mm	N/A	2500	Quad 1 (Figure 6)	Quad 1
FC2QFN 1.25x1.25	F41A1	4	8mm	4mm	2500	N/A	Quad 1 (Figure 6)	Quad 2
FC2QFN 1.25x1.25	F61A1	6	8mm	4mm	2500	N/A	Quad 1 (Figure 6)	Quad 2
FC2QFN 2.5x2.5	F122A2	12	8mm	4mm	2500	N/A	Quad 1 (Figure 6)	Quad 2
FC2QFN 3x2.5	F182A3	18	12mm	8mm	N/A	2500	Quad 1 (Figure 6)	Quad 1
FC2QFN 3x3	F103A3	10	12mm	8mm	N/A	2500	Quad 1 (Figure 6)	Quad 2
FC2QFN 3x3	F223A3	22	12mm	8mm	N/A	2500	Quad 1 (Figure 6)	Quad 2
FC2QFN 3.5x3.5	F143A3	14	12mm	8mm	N/A	2500	Quad 1 (Figure 6)	Quad 2
FC2QFN 3.5x3.75	F153A3	15	12mm	8mm	N/A	2500	Quad 2 (Figure 6)	Quad 1

Maxim Integrated

TITLE: [PH/TH] [T&R/TEST PROD] STANDARD QUANTITY ON REEL AND ORIENTATION OF TAPE AND REEL

DOCUMENT I.D.
04-4051

REVISION
X

PAGE
42

FC2QFN 3.5x3.75	F173A3	17	12mm	8mm	N/A	2500	Quad 2 (Figure 6)	Quad 1
FC2QFN 3.5x5	F203A5	20	12mm	8mm	N/A	2500	Quad 1 (Figure 6)	Quad 1
FC2QFN 3.5x6	F213A6	21	16mm	8mm	N/A	2500	Quad 1 (Figure 6)	Quad 1
FC2QFN 3.5x6	F273A6	27	16mm	8mm	N/A	2500	Quad 1 (Figure 6)	Quad 1
FC2QFN 3.25x9.25	F183A9	18	24mm	8mm	N/A	2500	Quad 1 (Figure 6)	Quad 1
FC2QFN 4x4	F304A4	30	12mm	8mm	N/A	2500	Quad 1 (Figure 6)	Quad 2
FC2QFN 4x5	F174A5	17	12mm	8mm	N/A	2500	Quad 1 (Figure 6)	Quad 1
FC2QFN 4x10.5	F354A10	35	24mm	8mm	N/A	2500	Quad 1 (Figure 6)	Quad 1
FC2QFN 4x10.75	F174A10	17	24mm	8mm	N/A	2500	Quad 1 (Figure 6)	Quad 1
FC2QFN 4x10.75	F314A10	31	24mm	8mm	N/A	2500	Quad 1 (Figure 6)	Quad 1
FC2QFN 6x6	F486A6	48	16mm	12mm	N/A	2500	Quad 1 (Figure 6)	Quad 2
FC2QFN 6.5x3.5	F286A3	28	16mm	8mm	N/A	2500	Quad 1 (Figure 6)	Quad 1
FC2QFN 7.4x3.25	F123A7	12	24mm	8mm	N/A	2500	Quad 1 (Figure 6)	Quad 1
FC2QFN 7.75x3.5	F183A7	18	16mm	8mm	N/A	2500	Quad 1 (Figure 6)	Quad 1
FC2QFN 7.75x3.5	F183B7	18	16mm	8mm	N/A	2500	Quad 1 (Figure 6)	Quad 1
FC2QFN 7.75x3.5	F283A7	28	16mm	8mm	N/A	2500	Quad 1 (Figure 6)	Quad 1
FC2QFN 7.75x3.5	F327A3	32	16mm	8mm	N/A	2500	Quad 1 (Figure 6)	Quad 1
FC2QFN 8.5x5	F168A5	16	16mm	12mm	N/A	1000	Quad 1 (Figure 6)	Quad 1

7.4.15. Routable QFN Packages

Package	Package Code	Pin Count	Carrier Tape		Quantity per Reel		Pin 1 Orientation	EIA481-D Standard
			Width	Pitch	7"	13"		
RQFN 10x6	R70610	70	16mm	12mm	N/A	2500	Quad 2 (Figure 6)	Quad 1

7.4.16. WL – QFN Packages

Package	Package Code	Pin Count	Carrier Tape		Quantity per Reel		Pin 1 Orientation	EIA481-D Standard
			Width	Pitch	7"	13"		
WL-QFN 5x3.2	A253A5	25	12mm	8mm	N/A	2500	Quad 2 (Figure 6)	Quad 1
WL-QFN 3.56x2.1	A282A3	28	12mm	8mm	N/A	2500	Quad 2 (Figure 6)	Quad 1
WL-QFN 5.39x3.87	A253A5	25	12mm	8mm	N/A	2500	Quad 2 (Figure 6)	Quad 1
WL-QFN 3.85x3.85	A313A3	31	12mm	8mm	N/A	2500	Quad 1 (Figure 6)	Quad 2

7.4.17. For Multi Row QFN (MRQ) Packages

Package	Package Code	Pin Count	Carrier Tape		Quantity per Reel		Pin 1 Orientation	EIA481-D Standard
			Width	Pitch	7"	13"		
MRQ 7x7	GM7677	76	16mm	12mm	N/A	2500	Quad 1 (Figure 6)	Quad 2
MRQ 8x8	GM8688	86	16mm	12mm	N/A	2500	Quad 1 (Figure 6)	Quad 2

Maxim Integrated

TITLE: [PH/TH] [T&R/TEST PROD] STANDARD QUANTITY ON REEL AND ORIENTATION OF TAPE AND REEL

DOCUMENT I.D.
04-4051

REVISION
X

PAGE
43

MRQ 9x9	GM9299	92	16mm	12mm	N/A	2500	Quad 1 (Figure 6)	Quad 2
MRQ 11x11	G14011	140	24mm	16mm	N/A	2000	Quad 1 (Figure 6)	Quad 2

7.4.18. For uDFN Packages

Package	Package Code	Pin Count	Carrier Tape		Quantity per Reel		Pin 1 Orientation	EIA481-D Standard
			Width	Pitch	7"	13"		
uDFN 2x2	V82A2	8	8mm	4mm	2500	N/A	Quad 1 (Figure 6)	Quad 2
uDFN 1.4x1.8	V101A1CN	10	8mm	4mm	2500	N/A	Quad 1 (Figure 6)	Quad 2
uDFN 2.5x2.5	V162A2	16	8mm	4mm	2500	N/A	Quad 1 (Figure 6)	Quad 2
uDFN 1.5x1	L611	6	8mm	4mm	2500	N/A	Quad 1 (Figure 6)	Quad 1
uDFN 2x2	L1022	10	8mm	4mm	2500	N/A	Quad 1 (Figure 6)	Quad 2
uDFN 2x2	L822	8	8mm	4mm	2500	N/A	Quad 1 (Figure 6)	Quad 2
uDFN 2x2	L622	6	8mm	4mm	2500	N/A	Quad 1 (Figure 6)	Quad 2
uDFN 3x3	L633	6	8mm	4mm	2500	N/A	Quad 1 (Figure 6)	Quad 2

7.4.19. For Thin DFN (TDFN) Packages – revised all table

Package	Package Code	Pin Count	Carrier Tape		Quantity per Reel		Pin 1 Orientation	EIA481-D Standard
			Width	Pitch	7"	13"		
TDFN 2x2	T622	6	8mm	4mm	2500	N/A	Quad 1 (Figure 6)	Quad 2
TDFN 2x2	T822	8	8mm	4mm	2500	N/A	Quad 1 (Figure 6)	Quad 2
TDFN 2x3	T823	8	8mm	4mm	2500	N/A	Quad 2 (Figure 6)	Quad 1
TDFN 2x3	T1623	16	8mm	4mm	2500	N/A	Quad 2 (Figure 6)	Quad 1
TDFN 2.5x2	T102A2	10	8mm	4mm	2500	N/A	Quad 1 (Figure 6)	Quad 1
TDFN 3x2	T1032	10	8mm	4mm	2500	N/A	Quad 1 (Figure 6)	Quad 1
TDFN 3x3	T633	6	8mm	4mm	2500	N/A	Quad 1 (Figure 6)	Quad 2
TDFN 3x3	T833	8	8mm	4mm	2500	N/A	Quad 1 (Figure 6)	Quad 2
TDFN 3x3	T1033	10	8mm	4mm	2500	N/A	Quad 1 (Figure 6)	Quad 2
TDFN 3x3	TD1233	12	8mm	4mm	2500	N/A	Quad 1 (Figure 6)	Quad 2
TDFN 3x3	T1433	14	8mm	4mm	2500	N/A	Quad 1 (Figure 6)	Quad 2
TDFN 3x5	T1435	14	12mm	8mm	N/A	2500	Quad 1 (Figure 6)	Quad 1
TDFN 4x3	T834	8	12mm	8mm	N/A	2500	Quad 1 (Figure 6)	Quad 1
TDFN 4x3	T1034	10	12mm	8mm	N/A	2500	Quad 1 (Figure 6)	Quad 1
TDFN 4x3	T1434	14	12mm	8mm	N/A	2500	Quad 1 (Figure 6)	Quad 1
TDFN 3x5	T1435	14	12mm	8mm	N/A	2500	Quad 1 (Figure 6)	Quad 1
TDFN 8x4	T2848	28	16mm	8mm	N/A	2500	Quad 1 (Figure 6)	Quad 1

7.4.20. For other DFN (DFN, Opto TDFN, Ultra TDFN) Packages

Package	Package Code	Pin Count	Carrier Tape		Quantity per Reel		Pin 1 Orientation	EIA481-D Standard
			Width	Pitch	7"	13"		
DFN 3x3	G833	8	8mm	4mm	2500	N/A	Quad 1 (Figure 6)	Quad 2
OTDFN 2x2	D622	6	8mm	4mm	2500	N/A	Quad 1 (Figure 6)	Quad 2
OTDFN 3x3	D1433	14	8mm	4mm	2500	N/A	Quad 1 (Figure 6)	Quad 2
Ultra TDFN 3x3	V1233	12	8mm	4mm	2500	N/A	Quad 1 (Figure 6)	Quad 2

Maxim Integrated	TITLE: [PH/TH] [T&R/TEST PROD] STANDARD QUANTITY ON REEL AND ORIENTATION OF TAPE AND REEL		
	DOCUMENT I.D. 04-4051	REVISION X	PAGE 44

7.4.21. For LGA Packages

Package	Package Code	Pin Count	Carrier Tape		Quantity per Reel		Pin 1 Orientation	EIA481-D Standard
			Width	Pitch	7"	13"		
LGA 2.5x2.5	L142A2	14	12mm	8mm	N/A	2500	Quad 1 (Figure 7)	Quad 1
LGA 3x3	L1633	16	12mm	8mm	N/A	2500	Quad 1 (Figure 7)	Quad 1
LGA 3x3	L2433	24	12mm	8mm	N/A	2500	Quad 1 (Figure 7)	Quad 1
LGA 4x13	L6043FM	60	24mm	8mm	N/A	2500	Quad 1 (Figure 7)	Quad 1
LGA 5x6	L3656	36	16mm	8mm	N/A	2500	Quad 1 (Figure 7)	Quad 1
LGA 7x7	L4877	48	16mm	12mm	N/A	2500	Quad 1 (Figure 7)	Quad 1
LGA 6.5x10	L286510	28	24mm	12mm	N/A	1500	Quad 2 (Figure 7)	Quad 1
LGA 9x9	L6499	64	16mm	12mm	N/A	2500	Quad 1 (Figure 7)	Quad 1
LGA 9x15	L32915	32	24mm	16mm	N/A	1500	Quad 2 (Figure 7)	Quad 1
LGA 9x15	L29915	29	24mm	16mm	N/A	1500	Quad 2 (Figure 7)	Quad 1
LGA 9x15	L33915	33	24mm	16mm	N/A	1500	Quad 2 (Figure 7)	Quad 1
LGA 9x9.5	L649A9	64	16mm	12mm	N/A	1500	Quad 2 (Figure 7)	Quad 1
LGA 9.35x11.5	L44119	44	24mm	16mm	N/A	1500	Quad 1 (Figure 7)	Quad 1
LGA 10x6.5	L286510	28	24mm	16mm	N/A	1500	Quad 2 (Figure 7)	Quad 1
LGA 11.5x8.6	L44811	44	24mm	16mm	N/A	1500	Quad 2 (Figure 7)	Quad 1
LGA 12x18	L421218	42	32mm	16m	N/A	500	Quad 2 (Figure 7)	Quad 1

7.4.22. For Optical LGA Packages

Package	Package Code	Pin Count	Carrier Tape		Quantity per Reel		Pin 1 Orientation	EIA481-D Standard
			Width	Pitch	7"	13"		
oLGA 2.8x5.6	F142A5	14	12mm	4mm	N/A	7500	Quad 1 (Figure 7)	Quad 1
oLGA 2.8x5.6	F142B5	14	12mm	4mm	N/A	7500	Quad 1 (Figure 7)	Quad 1
oLGA 3.3x5.6	F143A5	14	12mm	8mm	N/A	5000	Quad 1 (Figure 7)	Quad 1
oLGA 2.8x4.3	F182A4	18	12mm	8mm	N/A	3500	Quad 1 (Figure 7)	Quad 1
oLGA 3.3x5.6	F143B5	14	12mm	8mm	N/A	5000	Quad 1 (Figure 7)	Quad 1
oLGA 3.3x5.6	F143C5	14	12mm	8mm	N/A	5000	Quad 1 (Figure 7)	Quad 1
oLGA 3.3x5.6	F143D5	14	12mm	8mm	N/A	5000	Quad 1 (Figure 7)	Quad 1
oLGA 3.3x5.6	F143E5	14	12mm	8mm	N/A	5000	Quad 1 (Figure 7)	Quad 1
oLGA 3.3x5.6	F203B5	20	12mm	8mm	N/A	5000	Quad 1 (Figure 7)	Quad 1
oLGA 3.3x5.6	F223A5	22	12mm	8mm	N/A	5000	Quad 1 (Figure 7)	Quad 1
oLGA 3.3x5.6	F223B5	22	12mm	8mm	N/A	5000	Quad 1 (Figure 7)	Quad 1
oLGA 3.3x5.6	F223C5	22	12mm	8mm	N/A	5000	Quad 1 (Figure 7)	Quad 1
oLGA 3.3x5.6	F223D5	22	12mm	8mm	N/A	5000	Quad 1 (Figure 7)	Quad 1
oLGA 3.3x5.6	F143A5	14	12mm	8mm	N/A	5000	Quad 1 (Figure 7)	Quad 1
oLGA 4x4.5	F204A4	20	12mm	8mm	N/A	5000	Quad 1 (Figure 7)	Quad 1
oLGA 4.1x4.5	F384A4	38	12mm	8mm	N/A	5000	Quad 1 (Figure 7)	Quad 1
oLGA 4.3x2.9	F142A4	14	12mm	8mm	N/A	5000	Quad 1 (Figure 7)	Quad 1
oLGA 4.55x3.8	F83A4	8	12mm	8mm	N/A	5000	Quad 1 (Figure 7)	Quad 1
oLGA 5.6x2	F142B5	14	12mm	4mm	N/A	7500	Quad 1 (Figure 7)	Quad 1
oLGA 5.6x2.8	F122A5	12	12mm	4mm	N/A	7500	Quad 1 (Figure 7)	Quad 1
oLGA 5.6x2.8	F142D5	14	12mm	4mm	N/A	7500	Quad 1 (Figure 7)	Quad 1

Maxim Integrated	TITLE: [PH/TH] [T&R/TEST PROD] STANDARD QUANTITY ON REEL AND ORIENTATION OF TAPE AND REEL		
	DOCUMENT I.D. 04-4051	REVISION X	PAGE 45

oLGA 7.4x3.9	F143A7	14	16mm	8mm	N/A	2500	Quad 1 (Figure 7)	Quad 1
oLGA 7.4x3.9	F143B7	14	16mm	8mm	N/A	2000	Quad 1 (Figure 7)	Quad 1
oLGA 7.4x3.9	F143C7	14	16mm	8mm	N/A	2500	Quad 1 (Figure 7)	Quad 1
oLGA 7.4x3.9	F143D7	14	16mm	8mm	N/A	2000	Quad 1 (Figure 7)	Quad 1
oLGA 7.4x3.9	F143E7	14	16mm	8mm	N/A	2500	Quad 1 (Figure 7)	Quad 1
oLGA 7.4x3.9	F143G7	14	16mm	8mm	N/A	2000	Quad 1 (Figure 7)	Quad 1
oLGA 7x3.5	F143H7	14	16mm	8mm	N/A	3500	Quad 1 (Figure 7)	Quad 1

7.4.23. For Thin and Ultra Thin LGA Packages

Package	Package Code	Pin Count	Carrier Tape		Quantity per Reel		Pin 1 Orientation	EIA481-D Standard
			Width	Pitch	7"	13"		
Thin LGA 2x2	L1022	10	8mm	4mm	2500	N/A	Quad 1 (Figure 7)	Quad 1
Thin LGA 4x6.5	L344A6	34	12mm	8mm	N/A	2500	Quad 1 (Figure 7)	Quad 1
Thin LGA 5x5	L6455	64	12mm	8mm	N/A	2500	Quad 1 (Figure 7)	Quad 1
Thin LGA 6x6	L1266	12	16mm	12mm	N/A	2500	Quad 1 (Figure 7)	Quad 1
Thin LGA 6x6	L8466	84	16mm	12mm	N/A	2500	Quad 1 (Figure 7)	Quad 1
Thin LGA 7x7	L4877	48	16mm	12mm	N/A	2500	Quad 1 (Figure 7)	Quad 1
Thin LGA 10x10	L321010	32	24mm	16mm	N/A	2500	Quad 1 (Figure 7)	Quad 1
Ultra Thin LGA	Y61A1	6	8mm	4mm	2500	N/A	Quad 1 (Figure 7)	Quad 1

7.4.24. For LQFP / TQFP Packages

Package	Package Code	Pin Count	Carrier Tape		Quantity per Reel		Pin 1 Orientation	EIA481-D Standard
			Width	Pitch	7"	13"		
L/TQFP 14x14	C100	100	24mm	20mm	N/A	250	Quad 1 (Figure 4)	Quad 2
LQFP 14x14	C120	120	24mm	20mm	N/A	250	Quad 1 (Figure 4)	Quad 2
L/TQFP 14x14	C128	128	24mm	20mm	N/A	250	Quad 1 (Figure 4)	Quad 2
L/TQFP 7x7	C32	32	16mm	12mm	N/A	2000	Quad 1 (Figure 4)	Quad 2
L/TQFP 7x7	C48	48	16mm	12mm	N/A	2000	Quad 1 (Figure 4)	Quad 2
TQFP 10x10	C44	44	24mm	16mm	N/A	750	Quad 1 (Figure 4)	Quad 2
LQFP 10x10	C52	52	24mm	16mm	N/A	750	Quad 1 (Figure 4)	Quad 2
L/TQFP 10x10	C64	64	24mm	16mm	N/A	750	Quad 1 (Figure 4)	Quad 2
LQFP 12x12	C76	76	24mm	20mm	N/A	1000	Quad 2 (Figure 4)	Quad 2
TQFP 12x12	C80	80	24mm	20mm	N/A	1000	Quad 1 (Figure 4)	Quad 2
LQFP 14x20	C128L	128	44mm	24mm	N/A	500	Quad 1 (Figure 4)	Quad 1
L/TQFP 20x20	C144	144	32mm	24mm	N/A	750	Quad 1 (Figure 4)	Quad 2
TQFP 5x5	H32	32	16mm	12mm	N/A	2500	Quad 1 (Figure 4)	Quad 2

7.4.25. For MQFP Packages

Package	Package Code	Pin Count	Carrier Tape		Quantity per Reel		Pin 1 Orientation	EIA481 Standard
			Width	Pitch	7"	13"		
MQFP 10x10	M44	44	24mm	24mm	N/A	500	Quad 1 (Figure 4)	Quad 2
MQFP 14x20	M80	80	44mm	32mm	N/A	250	Quad 1 (Figure 4)	Quad 2
MQFP 14x20	M100	100	44mm	32mm	N/A	250	Quad 1 (Figure 4)	Quad 2
MQFP 28x28	M144	144	44mm	32mm	N/A	250	Quad 1 (Figure 4)	Quad 2

Maxim Integrated	TITLE: [PH/TH] [T&R/TEST PROD] STANDARD QUANTITY ON REEL AND ORIENTATION OF TAPE AND REEL		
	DOCUMENT I.D. 04-4051	REVISION X	PAGE 46

7.4.26. For PLCC Packages

Package	Package Code	Pin Count	Carrier Tape		Quantity per Reel		Pin 1 Orientation	EIA481-D Standard
			Width	Pitch	7"	13"		
PLCC 8.97x8.97	Q20	20	16mm	12mm	N/A	1000	Quad 1-2 (Figure 4)	Quad 1-2
PLCC 11.48x11.48	Q28	28	24mm	16mm	N/A	500	Quad 1-2 (Figure 4)	Quad 1-2
PLCC 11.51x11.51	Q28	28	24mm	16mm	N/A	500	Quad 1-2 (Figure 4)	Quad 1-2
PLCC 11.46x14	Q32	32	24mm	16mm	N/A	500	Quad 1-2 (Figure 4)	Quad 1-2
PLCC 16.59x16.59	Q44	44	32mm	24mm	N/A	500	Quad 1-2 (Figure 4)	Quad 1-2
PLCC 19.2x19.2	Q52	52	32mm	24mm	N/A	250	Quad 1-2 (Figure 4)	Quad 1-2
PLCC 24.3x24.3	Q68	68	44mm	32mm	N/A	250	Quad 1-2 (Figure 4)	Quad 1-2

7.4.27. For BGA Packages

Package	Package Code	Pin Count	Carrier Tape		Quantity per Reel		Pin 1 Orientation	EIA481-D Standard
			Width	Pitch	7"	13"		
BGA 4x4	X16	16	12mm	8mm	N/A	2500	Quad 1 (Figure 4)	Quad 1
BGA 5x5	X25	25	12mm	8mm	N/A	2500	Quad 1 (Figure 4)	Quad 1
BGA 5.9x5.9	X495A5	49	16mm	12mm	N/A	1000	Quad 1 (Figure 4)	Quad 1
BGA 6x6	X2466	24	16mm	12mm	N/A	1000	Quad 1 (Figure 4)	Quad 1
BGA 6x5.35	X07265	26	12mm	8mm	N/A	2500	Quad 2 (Figure 7)	Quad 1
BGA 6.8x6.2	X906A6	90	16mm	12mm	N/A	2500	Quad 1 (Figure 4)	Quad 1
BGA 7x7	X49	49	16mm	12mm	N/A	1500	Quad 1 (Figure 4)	Quad 1
BGA 7x7	X4977	49	16mm	12mm	N/A	2000	Quad 1 (Figure 4)	Quad 1
BGA 7x7	X6477	64	16mm	12mm	N/A	2000	Quad 1 (Figure 4)	Quad 1
BGA 7x7	X12077	120	16mm	12mm	N/A	2000	Quad 1 (Figure 4)	Quad 1
BGA 7x7	X19677	196	16mm	12mm	N/A	2000	Quad 1 (Figure 4)	Quad 1
BGA 7x14	B1271A7	127	24mm	12mm	N/A	2000	Quad 1 (Figure 4)	Quad 1
BGA 8x8	X8188	81	16mm	12mm	N/A	2500	Quad 1 (Figure 4)	Quad 1
BGA 8x8	X12188	121	16mm	12mm	N/A	2500	Quad 1 (Figure 4)	Quad 1
BGA 8.6x7.7	X767A8	76	16mm	12mm	N/A	2500	Quad 2 (Figure 4)	Quad 1
BGA 9x9	X100	100	16mm	12mm	N/A	2000	Quad 1 (Figure 4)	Quad 1
BGA 9x9	X32499	324	16mm	12mm	N/A	2000	Quad 1 (Figure 4)	Quad 1
BGA 9x9	X8899	88	16mm	12mm	N/A	2000	Quad 1 (Figure 4)	Quad 1
BGA 10x10	X100	100	24mm	16mm	N/A	500	Quad 1 (Figure 4)	Quad 1
BGA 10x10	X14400	144	24mm	16mm	N/A	500	Quad 1 (Figure 4)	Quad 1
BGA 10x10	X81	81	24mm	16mm	N/A	500	Quad 1 (Figure 4)	Quad 1
BGA 10x10	X8100	81	24mm	16mm	N/A	500	Quad 1 (Figure 4)	Quad 1
BGA 11x11	X100	100	24mm	16mm	N/A	500	Quad 1 (Figure 4)	Quad 1
BGA 11x11	X10011	100	24mm	16mm	N/A	500	Quad 1 (Figure 4)	Quad 1
BGA 11x11	X169	169	24mm	16mm	N/A	500	Quad 1 (Figure 4)	Quad 1
BGA 11x11	X16911	169	24mm	16mm	N/A	500	Quad 1 (Figure 4)	Quad 1
BGA 11x11	X22811	228	24mm	16mm	N/A	500	Quad 1 (Figure 4)	Quad 1

Maxim Integrated

TITLE: [PH/TH] [T&R/TEST PROD] STANDARD QUANTITY ON REEL AND ORIENTATION OF TAPE AND REEL

DOCUMENT I.D.
04-4051

REVISION
X

PAGE
47

BGA 11.43x10.16	V36	36	24mm	16mm	N/A	750	Quad 1 (Figure 4)	Quad 1
BGA 12x12	X14422	144	24mm	16mm	N/A	2000	Quad 1 (Figure 4)	Quad 1
BGA 12x12	X19222	192	24mm	16mm	N/A	2000	Quad 1 (Figure 4)	Quad 1
BGA 13x13	X144	144	24mm	16mm	N/A	1500	Quad 1 (Figure 4)	Quad 1
BGA 14x14	X169	169	24mm	20mm	N/A	1500	Quad 1 (Figure 4)	Quad 1
BGA 14x14	X16944	169	24mm	20mm	N/A	1500	Quad 1 (Figure 4)	Quad 1
BGA 15x15	X196	196	24mm	20mm	N/A	500	Quad 1 (Figure 4)	Quad 1
BGA 15x15	X19655	196	24mm	20mm	N/A	500	Quad 1 (Figure 4)	Quad 1
BGA 15x15	X32455	324	24mm	20mm	N/A	500	Quad 1 (Figure 4)	Quad 1
BGA 15x15	X25655	256	24mm	20mm	N/A	500	Quad 1 (Figure 4)	Quad 1
BGA 16x16	X36166	361	24mm	20mm	N/A	1000	Quad 1 (Figure 4)	Quad 1
BGA 16x10	X22860	228	24mm	16mm	N/A	1500	Quad 2 (figure 4)	Quad 1
BGA 17x17	X25677	256	32mm	24mm	N/A	500	Quad 1 (Figure 4)	Quad 1
BGA 17x12	X28027	280	32m	16mm	N/A	2000	Quad 1 (Figure 4)	Quad 1
BGA 17x16	X38076	380	32m	16mm	N/A	2500	Quad 2 (Figure 4)	Quad 1
BGA 17x17	V144	256	32mm	24mm	N/A	500	Quad 1 (Figure 4)	Quad 1
BGA 17x17	X256	256	32mm	24mm	N/A	500	Quad 1 (Figure 4)	Quad 1
BGA 23x10	X33602	336	44mm	16mm	N/A	1500	Quad 3 (Figure 4)	Quad 1
BGA 23x23	V448	448	44mm	28mm	N/A	500	Quad 1 (Figure 4)	Quad 1
BGA 23x23	V484	484	44mm	28mm	N/A	500	Quad 1 (Figure 4)	Quad 1
BGA 25x25	H192	192	44mm	32mm	N/A	250	Quad 1 (Figure 4)	Quad 1
BGA 25x25	X492	492	44mm	32mm	N/A	250	Quad 1 (Figure 4)	Quad 1
BGA 27x27	V256	256	44mm	32mm	N/A	500	Quad 1 (Figure 4)	Quad 1
BGA 27x27	H256	256	44mm	32mm	N/A	500	Quad 1 (Figure 4)	Quad 1
BGA 27x27	X67277	672	44mm	32mm	N/A	250	Quad 1 (Figure 4)	Quad 1
BGA 27x27	V676	676	44mm	32mm	N/A	500	Quad 1 (Figure 4)	Quad 1
BGA 31x31	V484	484	44mm	40mm	N/A	500	Quad 1 (Figure 4)	Quad 1
BGA 35x35	X924	924	56mm	40mm	N/A	250	Quad 1 (Figure 4)	Quad 1
BGA 35x35	V564	564	56mm	40mm	N/A	500	Quad 1 (Figure 4)	Quad 1
BGA 40x40	X1229	1229	56mm	44mm	N/A	750	Quad 1 (Figure 4)	Quad 1

7.4.28. For eMGA Packages

Package	Package Code	Pin Count	Carrier Tape		Quantity per Reel		Pin 1 Orientation	EIA481-D Standard
			Width	Pitch	7"	13"		
eMGA 2.6x2.1	M102A2	10	12mm	8mm	N/A	2500	Quad 1 (figure 4)	Quad 1
eMGA 2.6x3	M102A3	10	12mm	8mm	N/A	2500	Quad 1 (figure 4)	Quad 1
eMGA 3x3	M123A3	12	12mm	8mm	N/A	2500	Quad 1 (figure 4)	Quad 1
eMGA 7.5x7.5	M2367A7	236	16mm	12mm	N/A	2500	Quad 1 (figure 4)	Quad 1
eMGA 8x6.5	M2086A8	208	16mm	12mm	N/A	1500	Quad 1 (figure 4)	Quad 1
eMGA 9.2x6.5	M2346A9	234	16mm	12mm	N/A	1500	Quad 1 (figure 4)	Quad 1
eMGA 9.9x7.2	M2667A9	266	16mm	12mm	N/A	1500	Quad 1 (figure 4)	Quad 1

7.4.29. TO92 Parts

Package	Pin Count	Carrier Tape	Quantity per Reel	Pin 1 Orientation
Maxim Integrated		TITLE: [PH/TH] [T&R/TEST PROD] STANDARD QUANTITY ON REEL AND ORIENTATION OF TAPE AND REEL		
		DOCUMENT I.D. 04-4051	REVISION X	PAGE 48

	Package Code		Width	Pitch	14"		EIA481-D Standard
TO92 4.7x4.7	Q2	2	N/A	N/A	2000	Figure 11 & 12	N/A
TO92 4.7x4.7	Q3	3	N/A	N/A	2000	Figure 11 & 12	N/A

7.4.30. MAXIM Die Parts

7.4.30.1. For uCSP Packages

Package	Package Code	Pin Count	Carrier Tape		Quantity per Reel		Pin 1 Orientation	EIA481-D Standard
			Width	Pitch	7"	13"		
uCSP	B4+1	4	8	4	2500	N/A	Quad 1 (Figure 10)	Quad 2
uCSP	B4+2	4	8	4	2500	N/A	Quad 1 (Figure 10)	Quad 2
uCSP	B4+3	4	8	4	2500	N/A	Quad 1 (Figure 10)	Quad 2
uCSP	B4+4	4	8	4	2500	N/A	Quad 1 (Figure 10)	Quad 2
uCSP	B4-1	4	8	4	2500	N/A	Quad 1 (Figure 10)	Quad 2
uCSP	B4-2	4	8	4	2500	N/A	Quad 1 (Figure 10)	Quad 2
uCSP	B4-3	4	8	4	2500	N/A	Quad 1 (Figure 10)	Quad 2
uCSP	B4-4	4	8	4	2500	N/A	Quad 1 (Figure 10)	Quad 2
uCSP	B6+1	6	8	4	2500	N/A	Quad 2 (Figure 10)	Quad 2
uCSP	B6+2	6	8	4	2500	N/A	Quad 2 (Figure 10)	Quad 2
uCSP	B6+3	6	8	4	2500	N/A	Quad 2 (Figure 10)	Quad 2
uCSP	B6+4	6	8	4	2500	N/A	Quad 2 (Figure 10)	Quad 2
uCSP	B6+5	6	8	4	2500	N/A	Quad 2 (Figure 10)	Quad 2
uCSP	B6+6	6	8	4	2500	N/A	Quad 2 (Figure 10)	Quad 2
uCSP	B6-1	6	8	4	2500	N/A	Quad 2 (Figure 10)	Quad 2
uCSP	B6-2	6	8	4	2500	N/A	Quad 2 (Figure 10)	Quad 2
uCSP	B6-3	6	8	4	2500	N/A	Quad 2 (Figure 10)	Quad 2
uCSP	B6-4	6	8	4	2500	N/A	Quad 2 (Figure 10)	Quad 2
uCSP	B6-5	6	8	4	2500	N/A	Quad 2 (Figure 10)	Quad 2
uCSP	B6-6	6	8	4	2500	N/A	Quad 2 (Figure 10)	Quad 2
uCSP	B8+1	8	8	4	2500	N/A	Quad 2 (Figure 10)	Quad 2
uCSP	B8-1	8	8	4	2500	N/A	Quad 2 (Figure 10)	Quad 2
uCSP	B9+1	9	8	4	2500	N/A	Quad 1 (Figure 10)	Quad 2
uCSP	B9+2	9	8	4	2500	N/A	Quad 1 (Figure 10)	Quad 2
uCSP	B9+3	9	8	4	2500	N/A	Quad 1 (Figure 10)	Quad 2
uCSP	B9+4	9	8	4	2500	N/A	Quad 1 (Figure 10)	Quad 2
uCSP	B9+5	9	8	4	2500	N/A	Quad 1 (Figure 10)	Quad 2
uCSP	B9+6	9	8	4	2500	N/A	Quad 1 (Figure 10)	Quad 2
uCSP	B9+7	9	8	4	2500	N/A	Quad 1 (Figure 10)	Quad 2
uCSP	B9+8	9	8	4	2500	N/A	Quad 1 (Figure 10)	Quad 2
uCSP	B9-1	9	8	4	2500	N/A	Quad 1 (Figure 10)	Quad 2
uCSP	B9-2	9	8	4	2500	N/A	Quad 1 (Figure 10)	Quad 2
uCSP	B9-3	9	8	4	2500	N/A	Quad 1 (Figure 10)	Quad 2
uCSP	B9-4	9	8	4	2500	N/A	Quad 1 (Figure 10)	Quad 2
uCSP	B9-5	9	8	4	2500	N/A	Quad 1 (Figure 10)	Quad 2

Maxim Integrated	TITLE: [PH/TH] [T&R/TEST PROD] STANDARD QUANTITY ON REEL AND ORIENTATION OF TAPE AND REEL		
	DOCUMENT I.D. 04-4051	REVISION X	PAGE 49

uCSP	B9-6	9	8	4	2500	N/A	Quad 1 (Figure 10)	Quad 2
uCSP	B9-7	9	8	4	2500	N/A	Quad 1 (Figure 10)	Quad 2
uCSP	B9-8	9	8	4	2500	N/A	Quad 1 (Figure 10)	Quad 2
uCSP	B12+1	12	8	4	2500	N/A	Quad 2 (Figure 10)	Quad 2
uCSP	B12+10	12	8	4	2500	N/A	Quad 2 (Figure 10)	Quad 2
uCSP	B12+11	12	8	4	2500	N/A	Quad 2 (Figure 10)	Quad 2
uCSP	B12+2	12	8	4	2500	N/A	Quad 2 (Figure 10)	Quad 2
uCSP	B12+3	12	8	4	2500	N/A	Quad 2 (Figure 10)	Quad 2
uCSP	B12+4	12	8	4	2500	N/A	Quad 2 (Figure 10)	Quad 2
uCSP	B12+5	12	8	4	2500	N/A	Quad 2 (Figure 10)	Quad 2
uCSP	B12+6	12	8	4	2500	N/A	Quad 2 (Figure 10)	Quad 2
uCSP	B12+7	12	8	4	2500	N/A	Quad 2 (Figure 10)	Quad 2
uCSP	B12+8	12	8	4	2500	N/A	Quad 2 (Figure 10)	Quad 2
uCSP	B12+9	12	8	4	2500	N/A	Quad 2 (Figure 10)	Quad 2
uCSP	B12-1	12	8	4	2500	N/A	Quad 2 (Figure 10)	Quad 2
uCSP	B12-10	12	8	4	2500	N/A	Quad 2 (Figure 10)	Quad 2
uCSP	B12-11	12	8	4	2500	N/A	Quad 2 (Figure 10)	Quad 2
uCSP	B12-2	12	8	4	2500	N/A	Quad 2 (Figure 10)	Quad 2
uCSP	B12-3	12	8	4	2500	N/A	Quad 2 (Figure 10)	Quad 2
uCSP	B12-4	12	8	4	2500	N/A	Quad 2 (Figure 10)	Quad 2
uCSP	B12-5	12	8	4	2500	N/A	Quad 2 (Figure 10)	Quad 2
uCSP	B12-6	12	8	4	2500	N/A	Quad 2 (Figure 10)	Quad 2
uCSP	B12-7	12	8	4	2500	N/A	Quad 2 (Figure 10)	Quad 2
uCSP	B12-8	12	8	4	2500	N/A	Quad 2 (Figure 10)	Quad 2
uCSP	B12-9	12	8	4	2500	N/A	Quad 2 (Figure 10)	Quad 2
uCSP	B16+1	16	8	4	2500	N/A	Quad 1 (Figure 10)	Quad 2
uCSP	B16+2	16	8	4	2500	N/A	Quad 1 (Figure 10)	Quad 2
uCSP	B16+3	16	8	4	2500	N/A	Quad 1 (Figure 10)	Quad 2
uCSP	B16+4	16	8	4	2500	N/A	Quad 1 (Figure 10)	Quad 2
uCSP	B16+5	16	8	4	2500	N/A	Quad 1 (Figure 10)	Quad 2
uCSP	B16+6	16	8	4	2500	N/A	Quad 1 (Figure 10)	Quad 2
uCSP	B16-1	16	8	4	2500	N/A	Quad 1 (Figure 10)	Quad 2
uCSP	B16-2	16	8	4	2500	N/A	Quad 1 (Figure 10)	Quad 2
uCSP	B16-3	16	8	4	2500	N/A	Quad 1 (Figure 10)	Quad 2
uCSP	B16-4	16	8	4	2500	N/A	Quad 1 (Figure 10)	Quad 2
uCSP	B16-5	16	8	4	2500	N/A	Quad 1 (Figure 10)	Quad 2
uCSP	B16-6	16	8	4	2500	N/A	Quad 1 (Figure 10)	Quad 2
uCSP	B20+1	20	8	4	2500	N/A	Quad 2 (Figure 10)	Quad 2
uCSP	B20+2	20	8	4	2500	N/A	Quad 2 (Figure 10)	Quad 2
uCSP	B20+3	20	8	4	2500	N/A	Quad 2 (Figure 10)	Quad 2
uCSP	B20+4	20	8	4	2500	N/A	Quad 2 (Figure 10)	Quad 2
uCSP	B20+5	20	8	4	2500	N/A	Quad 2 (Figure 10)	Quad 2
uCSP	B20+6	20	8	4	2500	N/A	Quad 2 (Figure 10)	Quad 2
uCSP	B20+7	20	8	4	2500	N/A	Quad 2 (Figure 10)	Quad 2
uCSP	B20+8	20	8	4	2500	N/A	Quad 2 (Figure 10)	Quad 2

Maxim Integrated	TITLE: [PH/TH] [T&R/TEST PROD] STANDARD QUANTITY ON REEL AND ORIENTATION OF TAPE AND REEL		
	DOCUMENT I.D. 04-4051	REVISION X	PAGE 50

uCSP	B20-1	20	8	4	2500	N/A	Quad 2 (Figure 10)	Quad 2
uCSP	B20-2	20	8	4	2500	N/A	Quad 2 (Figure 10)	Quad 2
uCSP	B20-3	20	8	4	2500	N/A	Quad 2 (Figure 10)	Quad 2
uCSP	B20-4	20	8	4	2500	N/A	Quad 2 (Figure 10)	Quad 2
uCSP	B20-5	20	8	4	2500	N/A	Quad 2 (Figure 10)	Quad 2
uCSP	B20-6	20	8	4	2500	N/A	Quad 2 (Figure 10)	Quad 2
uCSP	B20-7	20	8	4	2500	N/A	Quad 2 (Figure 10)	Quad 2
uCSP	B20-8	20	8	4	2500	N/A	Quad 2 (Figure 10)	Quad 2
uCSP	B25+1	25	8	4	2500	N/A	Quad 1 (Figure 10)	Quad 2
uCSP	B25+2	25	8	4	2500	N/A	Quad 1 (Figure 10)	Quad 2
uCSP	B25+3	25	8	4	2500	N/A	Quad 1 (Figure 10)	Quad 2
uCSP	B25+4	25	8	4	2500	N/A	Quad 1 (Figure 10)	Quad 2
uCSP	B25+5	25	8	4	2500	N/A	Quad 1 (Figure 10)	Quad 2
uCSP	B25-1	25	8	4	2500	N/A	Quad 1 (Figure 10)	Quad 2
uCSP	B25-2	25	8	4	2500	N/A	Quad 1 (Figure 10)	Quad 2
uCSP	B25-3	25	8	4	2500	N/A	Quad 1 (Figure 10)	Quad 2
uCSP	B25-4	25	8	4	2500	N/A	Quad 1 (Figure 10)	Quad 2
uCSP	B25-5	25	8	4	2500	N/A	Quad 1 (Figure 10)	Quad 2
uCSP	B30+1	30	8	4	2500	N/A	Quad 2 (Figure 10)	Quad 2
uCSP	B30+2	30	8	4	2500	N/A	Quad 2 (Figure 10)	Quad 2
uCSP	B30+3	30	8	4	2500	N/A	Quad 2 (Figure 10)	Quad 2
uCSP	B30+4	30	8	4	2500	N/A	Quad 2 (Figure 10)	Quad 2
uCSP	B30-1	30	8	4	2500	N/A	Quad 2 (Figure 10)	Quad 2
uCSP	B30-2	30	8	4	2500	N/A	Quad 2 (Figure 10)	Quad 2
uCSP	B30-3	30	8	4	2500	N/A	Quad 2 (Figure 10)	Quad 2
uCSP	B30-4	30	8	4	2500	N/A	Quad 2 (Figure 10)	Quad 2
uCSP	B36+1	36	12	8	2500	N/A	Quad 2 (Figure 10)	Quad 2
uCSP	B36+2	36	12	8	2500	N/A	Quad 2 (Figure 10)	Quad 2
uCSP	B36+3	36	12	8	2500	N/A	Quad 2 (Figure 10)	Quad 2
uCSP	B36+4	36	12	8	2500	N/A	Quad 2 (Figure 10)	Quad 2
uCSP	B36-1	36	12	8	2500	N/A	Quad 2 (Figure 10)	Quad 2
uCSP	B36-2	36	12	8	2500	N/A	Quad 2 (Figure 10)	Quad 2
uCSP	B36-3	36	12	8	2500	N/A	Quad 2 (Figure 10)	Quad 2
uCSP	B36-4	36	12	8	2500	N/A	Quad 2 (Figure 10)	Quad 2

หมายเหตุ:

- a) สำหรับแพ็คเกจ B4 ปริมาณอาจเปลี่ยนเป็น 10000 ถ้า MAXIM part number มี "+ T10" ต่อท้าย

7.4.30.2. For uCSP-R Packages

Package	Package Code	Pin Count	Carrier Tape		Quantity per Reel		Pin 1 Orientation	EIA481-D Standard
			Width	Pitch	7"	13"		
uCSP-R	R41A1+1	4	8	4	2500	N/A	Quad 1 (Figure 10)	Quad 2
uCSP-R	R41B1+1	4	8	4	2500	N/A	Quad 1 (Figure 10)	Quad 2
uCSP-R	R41C1+1	4	8	4	2500	N/A	Quad 1 (Figure 10)	Quad 2
uCSP-R	R61A1+1	6	8	4	2500	N/A	Quad 2 (Figure 10)	Quad 2
uCSP-R	R61B1+1	6	8	4	2500	N/A	Quad 2 (Figure 10)	Quad 2

Maxim Integrated	TITLE: [PH/TH] [T&R/TEST PROD] STANDARD QUANTITY ON REEL AND ORIENTATION OF TAPE AND REEL		
	DOCUMENT I.D. 04-4051	REVISION X	PAGE 51

uCSP-R	R61C1+1	6	8	4	2500	N/A	Quad 2 (Figure 10)	Quad 2
uCSP-R	R81A2+1	8	8	4	2500	N/A	Quad 2 (Figure 10)	Quad 2
uCSP-R	R91A1+1	9	8	4	N/A	10000	Quad 1 (Figure 10)	Quad 2
uCSP-R	R91A2+1	9	8	4	2500	N/A	Quad 1 (Figure 10)	Quad 2
uCSP-R	R91B1+1	9	8	4	2500	N/A	Quad 1 (Figure 10)	Quad 2
uCSP-R	R121A2+1	12	8	4	2500	N/A	Quad 1 (Figure 10)	Quad 2
uCSP-R	R121B2+1	12	8	4	2500	N/A	Quad 1 (Figure 10)	Quad 2
uCSP-R	R151A2+1	15	8	4	2500	N/A	Quad 2 (Figure 10)	Quad 2
uCSP-R	R162A2+1	16	8	4	2500	N/A	Quad 1 (Figure 10)	Quad 2
uCSP-R	R202A2+1	20	8	4	2500	N/A	Quad 2 (Figure 10)	Quad 2
uCSP-R	R252A2+1	25	8	4	2500	N/A	Quad 1 (Figure 10)	Quad 2
uCSP-R	R302A3+1	30	8	4	2500	N/A	Quad 2 (Figure 10)	Quad 2
uCSP-R	R423A3+1	42	12	8	2500	N/A	Quad 2 (Figure 10)	Quad 2
uCSP-R	R564A3+1	56	12	8	2000	N/A	Quad 2 (Figure 10)	Quad 2
uCSP-R	R813A3+1	81	12	8	2000	N/A	Quad 1 (Figure 10)	Quad 2
uCSP-R	R814A4+1	81	12	8	2000	N/A	Quad 1 (Figure 10)	Quad 2
uCSP-R	R1005A5+1	100	12	8	2000	N/A	Quad 1 (Figure 10)	Quad 2

7.4.30.3. For WLP Packages

Package	Package Code	Pin Count	Carrier Tape		Quantity per Reel		Pin 1 Orientation	EIA481-D Standard
			Width	Pitch	7"	13"		
WLP	W40A0+1	4	8	4	2500	N/A	Quad 1 (Figure 10)	Quad 1
WLP	W41A1+2	4	8	4	2500	N/A	Quad 1 (Figure 10)	Quad 1
WLP	W41C1+1	4	8	4	2500	N/A	Quad 1 (Figure 10)	Quad 1
WLP	W61A1+1	6	8	4	2500	N/A	Quad 2 (Figure 2)	Quad 2
WLP	W61B1+1	6	8	4	2500	N/A	Quad 2 (Figure 2)	Quad 2
WLP	W61C1+1	6	8	4	2500	N/A	Quad 2 (Figure 2)	Quad 2
WLP	W61C1+2	6	8	4	2500	N/A	Quad 2 (Figure 2)	Quad 2
WLP	W61D1+1	6	8	4	2500	N/A	Quad 2 (Figure 2)	Quad 2
WLP	W61E1+1	6	8	4	2500	N/A	Quad 2 (Figure 2)	Quad 2
WLP	W81A2+1	8	8	4	2500	N/A	Quad 2 (Figure 2)	Quad 2
WLP	W91B1+1	9	8	4	2500	N/A	Quad 1 (Figure 10)	Quad 1
WLP	W91B1+2	9	8	4	2500	N/A	Quad 1 (Figure 10)	Quad 1
WLP	W91B1+3	9	8	4	2500	N/A	Quad 1 (Figure 10)	Quad 1
WLP	W91B1+5	9	8	4	2500	N/A	Quad 1 (Figure 10)	Quad 1
WLP	W91B1+6	9	8	4	2500	N/A	Quad 1 (Figure 10)	Quad 1
WLP	W91B1+7	9	8	4	2500	N/A	Quad 1 (Figure 10)	Quad 1
WLP	W91C1+1	9	8	4	2500	N/A	Quad 1 (Figure 10)	Quad 1
WLP	W91D1+1	9	8	4	2500	N/A	Quad 1 (Figure 10)	Quad 1
WLP	W92A1+1	9	8	4	2500	N/A	Quad 1 (Figure 10)	Quad 1
WLP	W121A1+1	12	8	4	2500	N/A	Quad 2 (Figure 2)	Quad 2
WLP	W121A2+1	12	8	4	2500	N/A	Quad 2 (Figure 2)	Quad 2
WLP	W121B2+1	12	8	4	2500	N/A	Quad 2 (Figure 2)	Quad 2
WLP	W121B2+2	12	8	4	2500	N/A	Quad 2 (Figure 2)	Quad 2
WLP	W121C2+1	12	8	4	2500	N/A	Quad 2 (Figure 2)	Quad 2

Maxim Integrated	TITLE: [PH/TH] [T&R/TEST PROD] STANDARD QUANTITY ON REEL AND ORIENTATION OF TAPE AND REEL		
	DOCUMENT I.D. 04-4051	REVISION X	PAGE 52

WLP	W121D2+1	12	8	4	2500	N/A	Quad 2 (Figure 2)	Quad 2
WLP	W122A1+1	12	8	4	2500	N/A	Quad 2 (Figure 2)	Quad 2
WLP	W122A2+1	12	8	4	2500	N/A	Quad 2 (Figure 2)	Quad 2
WLP	W151A2+1	15	8	4	2500	N/A	Quad 2 (Figure 2)	Quad 2
WLP	W161B1+1	16	8	4	2500	N/A	Quad 1 (Figure 10)	Quad 1
WLP	W162A2+1	16	8	4	2500	N/A	Quad 1 (Figure 10)	Quad 1
WLP	W162B2+1	16	8	4	2500	N/A	Quad 1 (Figure 10)	Quad 1
WLP	W162C2+1	16	8	4	2500	N/A	Quad 1 (Figure 10)	Quad 1
WLP	W162D2+1	16	8	4	2500	N/A	Quad 1 (Figure 10)	Quad 1
WLP	W202A2+1	20	8	4	2500	N/A	Quad 1 (Figure 10)	Quad 1
WLP	W202A2+2	20	8	4	2500	N/A	Quad 1 (Figure 10)	Quad 1
WLP	W202B2+1	20	8	4	2500	N/A	Quad 1 (Figure 10)	Quad 1
WLP	W241B2+1	24	12	4	2500	N/A	Quad 2 (Figure 2)	Quad 2
WLP	W242A3+1	24	12	4	2500	N/A	Quad 2 (Figure 2)	Quad 2
WLP	W251A1+1	25	8	4	2500	N/A	Quad 1 (Figure 10)	Quad 1
WLP	W252A2+1	25	8	4	2500	N/A	Quad 1 (Figure 10)	Quad 1
WLP	W252B2+1	25	8	4	2500	N/A	Quad 1 (Figure 10)	Quad 1
WLP	W252C2+1	25	8	4	2500	N/A	Quad 1 (Figure 10)	Quad 1
WLP	W252D2+1	25	8	4	2500	N/A	Quad 1 (Figure 10)	Quad 1
WLP	W252E2+1	25	12	8	2500	N/A	Quad 1 (Figure 10)	Quad 1
WLP	W252F2+1	25	8	4	2500	N/A	Quad 1 (Figure 10)	Quad 1
WLP	W252G2+1	25	8	4	2500	N/A	Quad 1 (Figure 10)	Quad 1
WLP	W302A2+1	30	8	4	2500	N/A	Quad 2 (Figure 2)	Quad 2
WLP	W302A2+2	30	8	4	2500	N/A	Quad 2 (Figure 2)	Quad 2
WLP	W302A2+3	30	8	4	2500	N/A	Quad 2 (Figure 2)	Quad 2
WLP	W302A3+1	30	8	4	2500	N/A	Quad 2 (Figure 2)	Quad 2
WLP	W302A3+2	30	8	4	2500	N/A	Quad 2 (Figure 2)	Quad 2
WLP	W302B2+1	30	8	4	2500	N/A	Quad 2 (Figure 2)	Quad 2
WLP	W303A3+1	30	12	8	2500	N/A	Quad 2 (Figure 2)	Quad 2
WLP	W321A3+1	32	8	4	2500	N/A	Quad 2 (Figure 2)	Quad 2
WLP	W321B3+1	32	8	4	2500	N/A	Quad 2 (Figure 2)	Quad 2
WLP	W322A4+1	32	12	8	2500	N/A	Quad 2 (Figure 2)	Quad 2
WLP	W352A3+1	35	12	4	2500	N/A	Quad 2 (Figure 2)	Quad 2
WLP	W362A2+1	36	8	4	2500	N/A	Quad 1 (Figure 10)	Quad 1
WLP	W362A2+2	36	8	4	2500	N/A	Quad 1 (Figure 10)	Quad 1
WLP	W362A2+3	36	12	8	2500	N/A	Quad 1 (Figure 10)	Quad 1
WLP	W363A3+1	36	12	8	2500	N/A	Quad 1 (Figure 10)	Quad 1
WLP	W363A3+2	36	12	8	2500	N/A	Quad 1 (Figure 10)	Quad 1
WLP	W363A3+3	36	12	8	2500	N/A	Quad 1 (Figure 10)	Quad 1
WLP	W402A3+1	40	12	8	2500	N/A	Quad 2 (Figure 2)	Quad 2
WLP	W402A3+2	40	12	8	2500	N/A	Quad 2 (Figure 2)	Quad 2
WLP	W402B3+1	40	12	4	2500	N/A	Quad 2 (Figure 2)	Quad 2
WLP	W423A3+1	42	12	8	2500	N/A	Quad 2 (Figure 2)	Quad 2
WLP	W423B3+1	42	12	8	2000	N/A	Quad 2 (Figure 2)	Quad 2
WLP	W423C3+1	42	12	8	2000	N/A	Quad 2 (Figure 2)	Quad 2

Maxim Integrated	TITLE: [PH/TH] [T&R/TEST PROD] STANDARD QUANTITY ON REEL AND ORIENTATION OF TAPE AND REEL		
	DOCUMENT I.D. 04-4051	REVISION X	PAGE 53

WLP	W423D3+1	42	12	8	2000	N/A	Quad 2 (Figure 2)	Quad 2
WLP	W452A2+1	45	8	4	2500	N/A	Quad 2 (Figure 2)	Quad 2
WLP	W453A2+1	45	12	4	2500	N/A	Quad 2 (Figure 2)	Quad 2
WLP	W463A3+1	46	12	8	2000	N/A	Quad 2 (Figure 2)	Quad 2
WLP	W482A3+1	48	12	4	2500	N/A	Quad 2 (Figure 2)	Quad 2
WLP	W493A3+1	49	12	8	2000	N/A	Quad 1 (Figure 10)	Quad 1
WLP	W493B3+1	49	12	8	2000	N/A	Quad 1 (Figure 10)	Quad 1
WLP	W493B3+2	49	12	8	2500	N/A	Quad 1 (Figure 10)	Quad 1
WLP	W563C3+1	56	12	8	2500	N/A	Quad 2 (Figure 2)	Quad 2
WLP	W564A3+1	56	12	8	2000	N/A	Quad 2 (Figure 2)	Quad 2
WLP	W584B2+1	58	12	8	2000	N/A	Quad 2 (Figure 2)	Quad 2
WLP	W603A3+1	60	12	8	2000	N/A	Quad 2 (Figure 2)	Quad 2
WLP	W633A3+1	63	12	8	2500	N/A	Quad 2 (Figure 2)	Quad 2
WLP	W674A2+1	67	12	4	2500	N/A	Quad 2 (Figure 2)	Quad 2
WLP	W704A4+1	70	12	8	2000	N/A	Quad 2 (Figure 2)	Quad 2
WLP	W723A3+1	72	12	8	2000	N/A	Quad 2 (Figure 2)	Quad 2
WLP	W733A5+1	73	12	8	2500	N/A	Quad 2 (Figure 2)	Quad 2
WLP	B813A3+1	81	12	8	2000	N/A	Quad 1 (Figure 10)	Quad 1
WLP	W813A3+1	81	12	8	2000	N/A	Quad 1 (Figure 10)	Quad 1
WLP	W814A4+1	81	12	8	2000	N/A	Quad 1 (Figure 10)	Quad 1
WLP	W1004A4+1	100	12	8	2000	N/A	Quad 1 (Figure 10)	Quad 1
WLP	W1005A5+1	100	12	8	2000	N/A	Quad 1 (Figure 10)	Quad 1
WLP	W1105A5+1	110	12	8	2000	N/A	Quad 2 (Figure 2)	Quad 2
WLP	W1105B5+1	110	12	8	2000	N/A	Quad 2 (Figure 2)	Quad 2
WLP	W1324A5+1	132	12	8	2000	N/A	Quad 2 (Figure 2)	Quad 2
WLP	W1445A5+1	144	12	8	2000	N/A	Quad 1 (Figure 10)	Quad 1
WLP	W1825A5+1	182	12	8	2000	N/A	Quad 2 (Figure 2)	Quad 2
WLP	W1825A6+1	182	12	8	2000	N/A	Quad 2 (Figure 2)	Quad 2
WLP	W2256A6+1	225	12	8	2000	N/A	Quad 1 (Figure 10)	Quad 1
WLP	W282A3+1	282	12	4	2500	N/A	Quad 2 (Figure 2)	Quad 2
WLP	W322A4Z+2	32	12	8	2500	N/A	Quad 2 (Figure 2)	Quad 2
WLP	W904A4+1	90	12	8	2000	N/A	Quad 2 (Figure 2)	Quad 2
WLP	W1695A5+1	169	12	8	2000	N/A	Quad 1 (Figure 10)	Quad 1
WLP	W91E1Z+1	9	8	4	2500	N/A	Quad 1 (Figure 10)	Quad 1
WLP	W2256B6+1	225	16	12	2500	N/A	Quad 1 (Figure 10)	Quad 1
WLP	W1695A5+2	169	12	8	2000	N/A	Quad 1 (Figure 10)	Quad 1
WLP	W1084A6+1	104	12	8	2000	N/A	Quad 2 (Figure 2)	Quad 2
WLP	W201A2+1	20	8	4	2500	N/A	Quad 2 (Figure 2)	Quad 2
WLP	W201B2+1	20	8	4	2500	N/A	Quad 2 (Figure 2)	Quad 2
WLP	W322A4Z+2	32	12	4	2500	N/A	Quad 2 (Figure 2)	Quad 2
WLP	W302B2+2	30	8	4	2500	N/A	Quad 2 (Figure 2)	Quad 2
WLP	W814B4+1	81	12	8	2000	N/A	Quad 1 (Figure 10)	Quad 1
WLP	W573A3+1	56	12	8	2000	N/A	Quad 2 (Figure 2)	Quad 2
WLP	W161C1+1	16	8	4	2500	N/A	Quad 1 (Figure 10)	Quad 1
WLP	W302C2+1	30	8	4	2500	N/A	Quad 2 (Figure 2)	Quad 2

Maxim Integrated	TITLE: [PH/TH] [T&R/TEST PROD] STANDARD QUANTITY ON REEL AND ORIENTATION OF TAPE AND REEL		
	DOCUMENT I.D. 04-4051	REVISION X	PAGE 54

WLP	W252H2+1	25	8	4	2500	N/A	Quad 1 (Figure 10)	Quad 1
WLP	W80A1+1	8	8	4	2500	N/A	Quad 2 (Figure 2)	Quad 2
WLP	W151B2+1	15	8	4	2500	N/A	Quad 2 (Figure 2)	Quad 2
WLP	W60A0+1	6	8	4	2500	N/A	Quad 2 (Figure 2)	Quad 2
WLP	W903A4+1	90	12	8	2000	N/A	Quad 2 (Figure 2)	Quad 2
WLP	W121B1+1	12	8	4	2500	N/A	Quad 2 (Figure 2)	Quad 2
WLP	W91F1+1	9	8	4	2500	N/A	Quad 1 (Figure 10)	Quad 1
WLP	W1324A4+1	132	12	8	2000	N/A	Quad 2 (Figure 2)	Quad 2
WLP	W201C2+1	20	8	4	2500	N/A	Quad 2 (Figure 2)	Quad 2
WLP	W201D2+1	20	8	4	2500	N/A	Quad 2 (Figure 2)	Quad 2
WLP	W2106A6+1	210	12	8	2000	N/A	Quad 2 (Figure 2)	Quad 2
WLP	W402A4+1	40	12	4	2500	N/A	Quad 2 (Figure 2)	Quad 2
WLP	W303B3+1	30	12	8	2500	N/A	Quad 2 (Figure 2)	Quad 2
WLP	W40B1+1	4	8	4	2500	N/A	Quad 1 (Figure 10)	Quad 1
WLP	W41D1+1	4	8	4	2500	N/A	Quad 1 (Figure 10)	Quad 1
WLP	W1445A5+2	144	12	8	2000	N/A	Quad 1 (Figure 10)	Quad 1
WLP	W242B3Z+1	242	12	4	2500	N/A	Quad 2 (Figure 2)	Quad 2
WLP	W903B4+1	90	12	8	2000	N/A	Quad 2 (Figure 2)	Quad 2
WLP	W1004B4+1	100	12	8	2000	N/A	Quad 1 (Figure 10)	Quad 1
WLP	W803A4+1	80	12	8	2000	N/A	Quad 2 (Figure 2)	Quad 2
WLP	W1005B5+1	100	12	8	2000	N/A	Quad 1 (Figure 10)	Quad 1
WLP	W122A2+1	12	8	4	2500	N/A	Quad 2 (Figure 2)	Quad 2
WLP	W161B1+1	16	8	4	2500	N/A	Quad 1 (Figure 10)	Quad 1
WLP	W162E2+1	16	8	4	2500	N/A	Quad 1 (Figure 10)	Quad 1
WLP	W162F2+1	16	8	4	2500	N/A	Quad 1 (Figure 10)	Quad 1
WLP	W202D2Z+1	20	8	4	2500	N/A	Quad 2 (Figure 2)	Quad 2
WLP	W251A2+1	25	8	4	2500	N/A	Quad 1 (Figure 10)	Quad 1
WLP	W282B3+1	28	8	4	2500	N/A	Quad 2 (Figure 2)	Quad 2
WLP	W282B3Z+1	28	8	4	2500	N/A	Quad 2 (Figure 2)	Quad 2
WLP	W352B3+1	35	12	4	2500	N/A	Quad 2 (Figure 2)	Quad 2
WLP	W40A1+1	4	8	4	2500	N/A	Quad 1 (Figure 10)	Quad 1
WLP	W642A2+1	64	8	4	2500	N/A	Quad 1 (Figure 10)	Quad 1
WLP	W644A4+1	64	12	8	2000	N/A	Quad 1 (Figure 10)	Quad 1
WLP	W80B1+1	8	8	4	2500	N/A	Quad 2 (Figure 2)	Quad 2
WLP	W814C4+1	81	12	8	2000	N/A	Quad 1 (Figure 10)	Quad 1
WLP	W90A0+1	9	8	4	2500	N/A	Quad 1 (Figure 10)	Quad 1
WLP	W91G1+1	9	8	4	2500	N/A	Quad 1 (Figure 10)	Quad 1
WLP	W423E3+1	42	12	8	2000	N/A	Quad 2 (Figure 2)	Quad 2
WLP	W202E2Z+1	20	8	4	2500	N/A	Quad 2 (Figure 2)	Quad 2
WLP	W423B3+1	42	12	8	2000	N/A	Quad 2 (Figure 2)	Quad 2
WLP	W2256C6+1	225	16	12	2500	N/A	Quad 1 (Figure 10)	Quad 1
WLP	W121F1+1	12	8	4	2500	N/A	Quad 2 (Figure 2)	Quad 2
WLP	W162G2+1	16	8	4	2500	N/A	Quad 1 (Figure 10)	Quad 1
WLP	W252J2+1	25	8	4	2500	N/A	Quad 1 (Figure 10)	Quad 1
WLP	W904C4+1	90	12	8	2000	N/A	Quad 2 (Figure 2)	Quad 2

Maxim Integrated	TITLE: [PH/TH] [T&R/TEST PROD] STANDARD QUANTITY ON REEL AND ORIENTATION OF TAPE AND REEL		
	DOCUMENT I.D. 04-4051	REVISION X	PAGE 55

WLP	W61F0+1	6	8	4	2500	N/A	Quad 2 (Figure 2)	Quad 2
WLP	W642B2+1	64	12	8	2500	N/A	Quad 1 (Figure 10)	Quad 1
WLP	W252K2+1	25	8	4	2500	N/A	Quad 1 (Figure 10)	Quad 1
WLP	W161E1+1	16	8	4	2500	N/A	Quad 1 (Figure 10)	Quad 1
WLP	W1214A4+1	121	12	8	2000	N/A	Quad 1 (Figure 10)	Quad 1
WLP	W563D3+1	56	12	8	2000	N/A	Quad 2 (Figure 2)	Quad 2
WLP	W1695B5+2	169	12	8	2000	N/A	Quad 1 (Figure 10)	Quad 1
WLP	W121G1+1	12	8	4	2500	N/A	Quad 2 (Figure 2)	Quad 2
WLP	W121E2+1	12	8	4	2500	N/A	Quad 2 (Figure 2)	Quad 2

หมายเหตุ: โปรดดูข้อมูลอื่น ๆ จากรูปที่ 10

7.4.31. For SOT Packages

Package	Package Code	Pin Count	Carrier Tape		Quantity per Reel		Pin 1 Orientation	EIA481-D Standard
			Width	Pitch	7"	13"		
SOT23 2.85x1.3	U3	3	8mm	4mm	2500 /3000	10000	Quad 3 (Figure 3a&3b)	Quad 3
SOT23 2.85x1.3	U4	4	8mm	4mm	2500	10000	Quad 3 (Figure 3a &3b)	Quad 3
SOT23 2.9x1.62	U5	5	8mm	4mm	2500 /3000	10000	Quad2(Figure 3a) Quad3 (Figure 3b)	Quad 3
SOT23 2.9x1.62	U6	6	8mm	4mm	2500	10000	Quad2(Figure 3a) Quad3(Figure 3b)	Quad 3
SOT23 2.9x1.62	K8	8	8mm	4mm	2500	10000	Quad2(Figure 3a) Quad3(Figure 3b)	Quad 3
SOT223 6.5x3.5	K3	4	16mm	12mm	N/A	2500	Quad3(Figure 9)	Quad 3

หมายเหตุ: ทิศทาง SOT-23 Pin 1 จะขึ้นอยู่กับหมายเลขของ part numbers.

7.4.32. For Thin SOT Packages

Package	Package Code	Pin Count	Carrier Tape		Quantity per Reel		Pin 1 Orientation	EIA481-D Standard
			Width	Pitch	7"	13"		
Thin SOT	Z5	5	8mm	4mm	2500 /3000	10000	Quad2(Figure 3a) Quad3 (Figure 3b)	Quad 3
Thin SOT	Z6	6	8mm	4mm	2500 /3000	10000	Quad2(Figure 3a) Quad3 (Figure 3b)	Quad 3

7.4.33. For SC70 Packages

Package	Package Code	Pin Count	Carrier Tape		Quantity per Reel		Pin 1 Orientation	EIA481-D Standard
			Width	Pitch	7"	13"		
SC70	X3	3	8mm	4mm	2500	N/A	Quad3 (Figure 5)	Quad 3
SC70	X4	4	8mm	4mm	2500	N/A	Quad3 (Figure 5)	Quad 3
SC70	X5	5	8mm	4mm	2500	N/A	Quad2 (Figure 5)	Quad 3
SC70	X6SN	6	8mm	4mm	2500	N/A	Quad2 (Figure 5)	Quad 3
SC70	X8CN	8	8mm	4mm	2500	N/A	Quad 2 (Figure 5)	Quad 3

Maxim Integrated

TITLE: [PH/TH] [T&R/TEST PROD] STANDARD QUANTITY ON REEL AND ORIENTATION OF TAPE AND REEL

DOCUMENT I.D.
04-4051

REVISION
X

PAGE
56

7.4.34. For SFN Packages

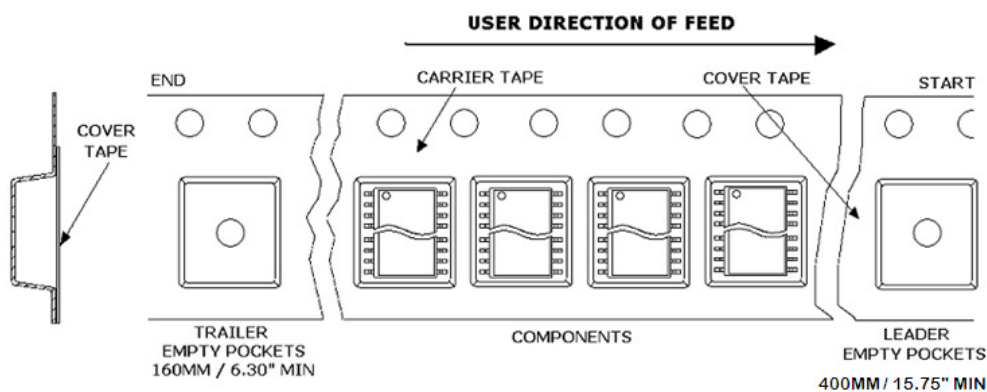
Package	Package Code	Pin Count	Carrier Tape		Quantity per Reel		Pin 1 Orientation	EIA481-D Standard
			Width	Pitch	7"	13"		
SFN	G266N	2	16mm	12mm	N/A	2500	Quad1 (Figure 8)	Quad 2
SFN	T23A6N+1	2	16mm	8mm	N/A	2500	Quad 4 (Figure 8)	Quad 1
SFN	S23A5N+1	2	12mm	8mm	N/A	2500	Quad1 (Figure 8)	Quad 1

7.4.35. For Dallas Die Parts

Package	Package Code	Pin Count	Carrier Tape		Quantity per Reel		Pin 1 Orientation	EIA481-D Standard
			Width	Pitch	7"	13"		
uCSP	BF1223-2	12	8mm	4mm	N/A	10000	Quad 2 (Figure 10)	Quad 2
uCSP	BF411-1	4	8mm	4mm	N/A	10000	Quad 1	Quad 1
uCSP	BF211-1	2	8mm	4mm	N/A	10000	Quad 2 (Figure 10)	Quad 2
uCSP	BF211-2	2	8mm	4mm	N/A	10000	Quad 2 (Figure 10)	Quad 2
uCSP	BF823-1	8	8mm	4mm	N/A	10000	Quad 2 (Figure 10)	Quad 2
uCSP	BF1422-1	14	8mm	4mm	N/A	10000	Quad 1 (Figure 10)	Quad 1
uCSP	BF1522-1	15	8mm	4mm	N/A	10000	Quad 2 (Figure 10)	Quad 2
uCSP	BF411-3	4	8mm	4mm	N/A	10000	Quad 1 (Figure 10)	Quad 1
uCSP	BF422-1	4	8mm	4mm	N/A	10000	Quad 1 (Figure 10)	Quad 1
uCSP	BF611-1	6	8mm	4mm	N/A	10000	Quad 2 (Figure 10)	Quad 2
uCSP	BF623-3	6	8mm	4mm	N/A	10000	Quad 2 (Figure 10)	Quad 2
uCSP	BF622+1	6	8mm	4mm	N/A	10000	Quad 2 (Figure 10)	Quad 2
uCSP	BF823+1	8	8mm	4mm	N/A	10000	Quad 2 (Figure 10)	Quad 2

7.5. ทิศทางของตัวงานที่บรรจุใน TAPE AND REEL

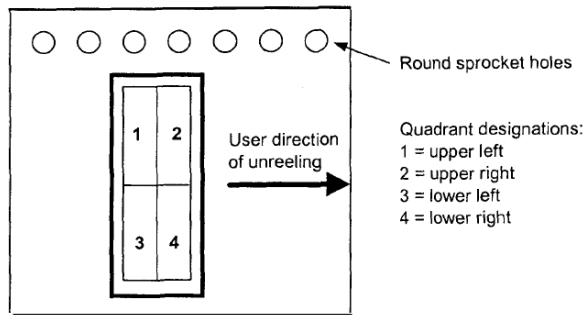
7.5.1. ภาพที่ 1: ทิศทางของตัวงานโดยทั่วไปที่บรรจุลง Tape and Reel



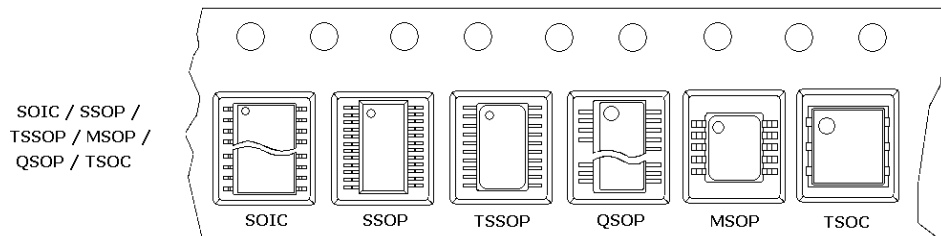
Maxim Integrated	TITLE: [PH/TH] [T&R/TEST PROD] STANDARD QUANTITY ON REEL AND ORIENTATION OF TAPE AND REEL		
	DOCUMENT I.D. 04-4051	REVISION X	PAGE 57

7.5.1.1. การออกแบบแสดง 1 ส่วนใน 4 ส่วน

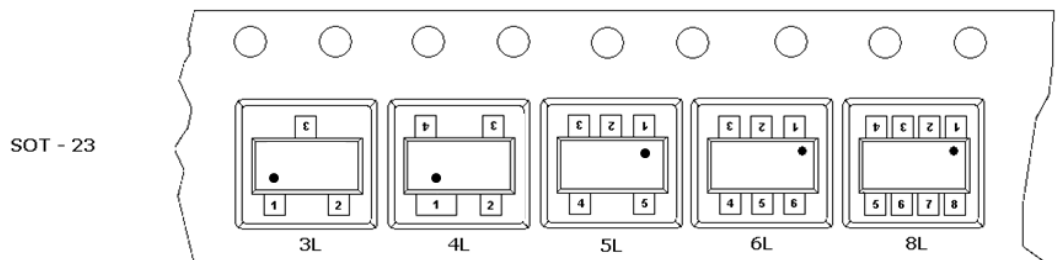
ใช้เครื่องหมาย PIN1 เพื่อกำหนดทิศทางที่ถูกต้องของตัวงานใน



7.5.2. ภาพที่ 2: สำหรับงาน SOIC/SSOP/TSSOP/MSOP/QSOP/TSOC



7.5.3. ภาพที่ 3a: สำหรับงาน SOT-23 Maxim Part Numbers (COMETS) – MAX prefix.

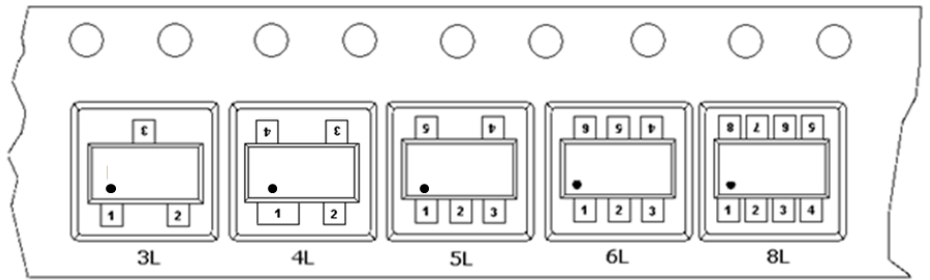


หมายเหตุ: สำหรับ SOT-23 4L, pin1 กว้างกว่า Pin อื่น ๆ

7.5.4. ภาพที่ 3b: สำหรับงาน SOT-23 Dallas Part Numbers (MAXCIM) – DS prefix.

Maxim Integrated	TITLE: [PH/TH] [T&R/TEST PROD] STANDARD QUANTITY ON REEL AND ORIENTATION OF TAPE AND REEL		
	DOCUMENT I.D. 04-4051	REVISION X	PAGE 58

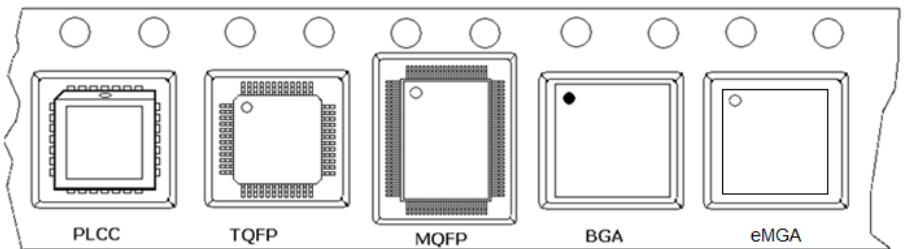
SOT - 23
MAXCIM



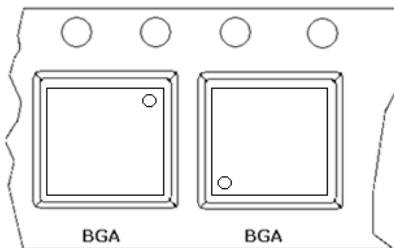
หมายเหตุ: สำหรับ สำหรับ SOT-23 4L, pin1 กว้างกว่า Pin อื่น ๆ

7.5.5. ภาพที่4: สำหรับงาน PLCC / TQFP / LQFP / MQFP / BGA / eMGA

PLCC / TQFP /
MQFP / BGA /
eMGA

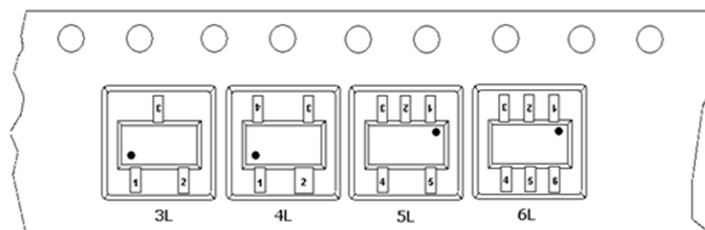


BGA /



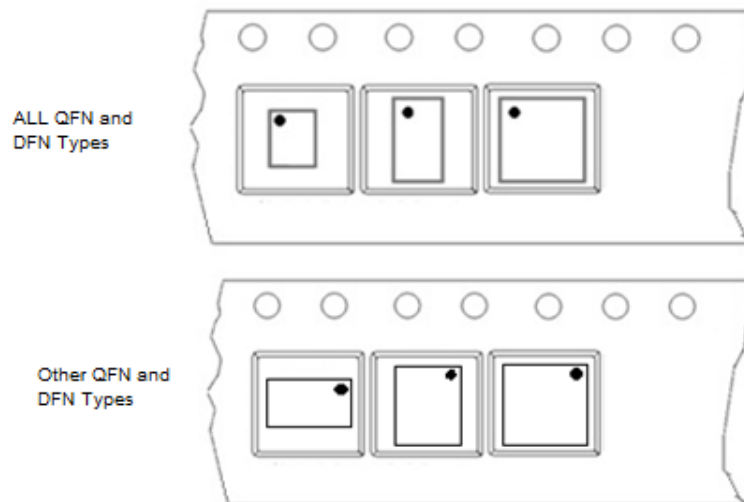
7.5.6. ภาพที่5: สำหรับงาน SC70

SC - 70

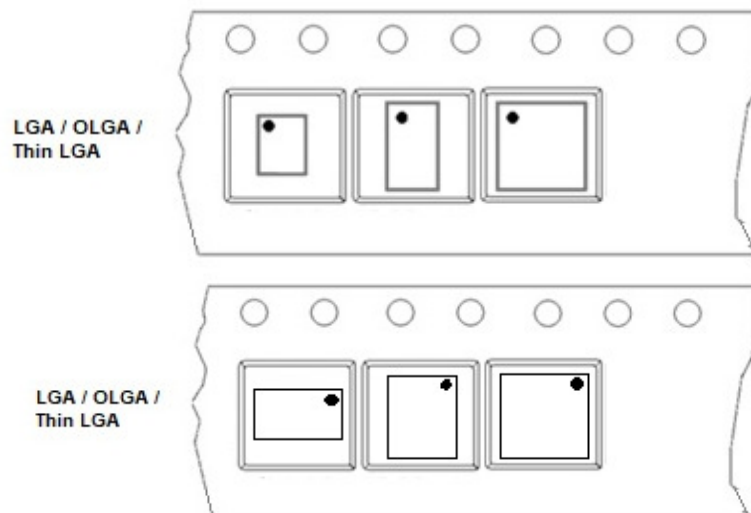


หมายเหตุ: สำหรับ สำหรับ SOC70 4L, pin2 กว้างกว่า Pin อื่น ๆ

7.5.7. ภาพที่6: สำหรับงาน T/QFN / OTDFN / T/DFN / MRQ / WLQFN / RQFN / FCQFN / FC2QFN

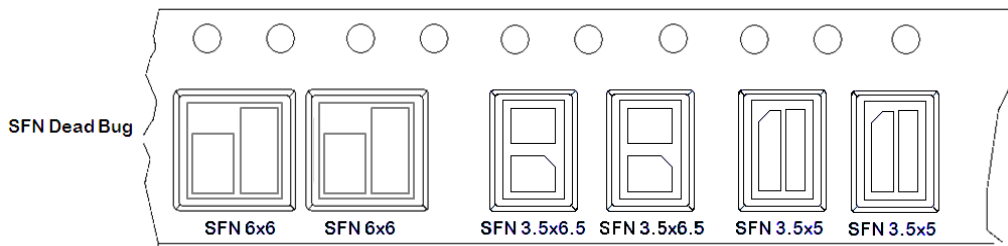


7.5.8. ภาพที่7: สำหรับงาน LGA / OLGA / Thin LGA

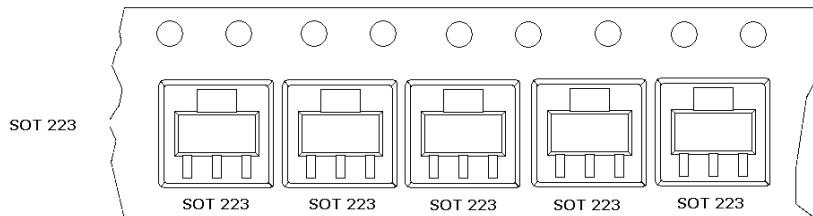


7.5.9. ภาพที่8: สำหรับงาน SFN DEAD BUG

Maxim Integrated	TITLE: [PH/TH] [T&R/TEST PROD] STANDARD QUANTITY ON REEL AND ORIENTATION OF TAPE AND REEL		
	DOCUMENT I.D. 04-4051	REVISION X	PAGE 60

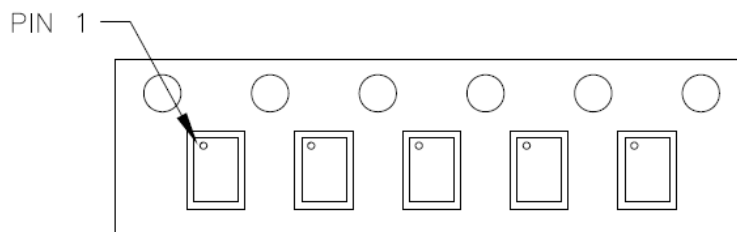


7.5.10. ภาพที่9: ทิศทางของงาน SOT 223

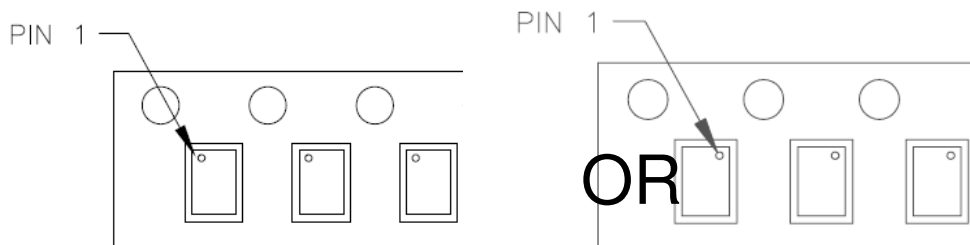


7.5.11. ภาพที่10: สำหรับงาน WLP/uCSP/uCSP-R.

สำหรับงาน SQUARE DIE:



สำหรับงาน RECTANGULAR DIE:



หมายเหตุ :

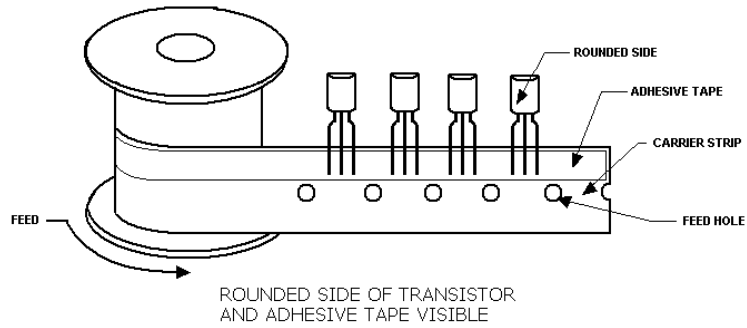
- A. สำหรับงานรูปสี่เหลี่ยมผืนผ้าควรวางไว้ด้านที่ยาวกว่าตั้งฉากกับความยาวของเทปโดยมีตัวบ่งชี้ Pin 1 ใกล้เคียงหนามเตย
- B. สำหรับงานเป็นรูปสี่เหลี่ยมจัตุรัส ถ้าขอบมีความแตกต่างไม่เกิน 0.3mm ระหว่างความยาวและความกว้าง

มาตรฐานในการยกเว้น :

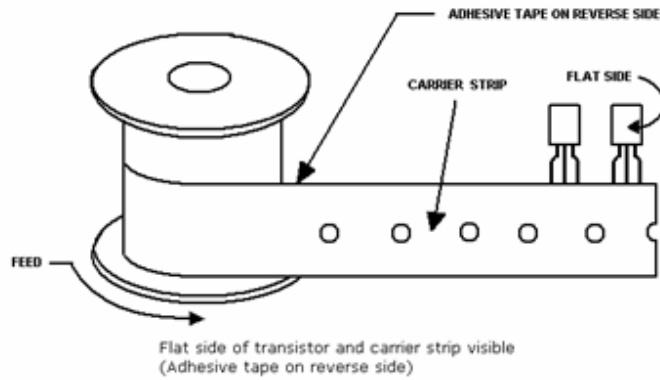
Maxim Integrated	TITLE: [PH/TH] [T&R/TEST PROD] STANDARD QUANTITY ON REEL AND ORIENTATION OF TAPE AND REEL		
	DOCUMENT I.D. 04-4051	REVISION X	PAGE 61

- A. คำสั่งพิเศษที่ลูกค้าต้องการในการวางทิศทางตัวงาน
- B. ได้รับอนุมัติก่อนหน้านี้จากลูกค้าในการกำหนดทิศทางของตัวงาน

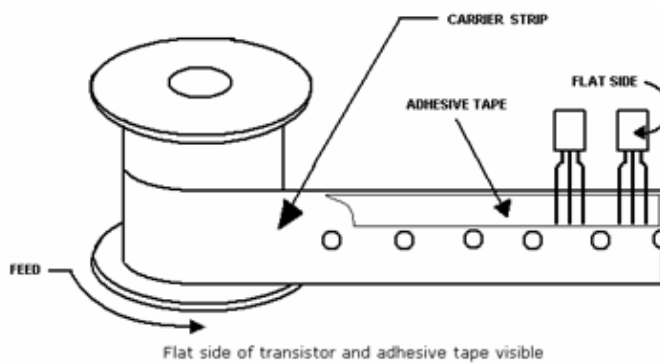
7.5.12. FIGURE 11a: TO-92 Rounded side of Transistor and Adhesive Tape Visible (Style A).



7.5.13. FIGURE 11b: Flat side of Transistor and Carrier Strip Visible (Style B)

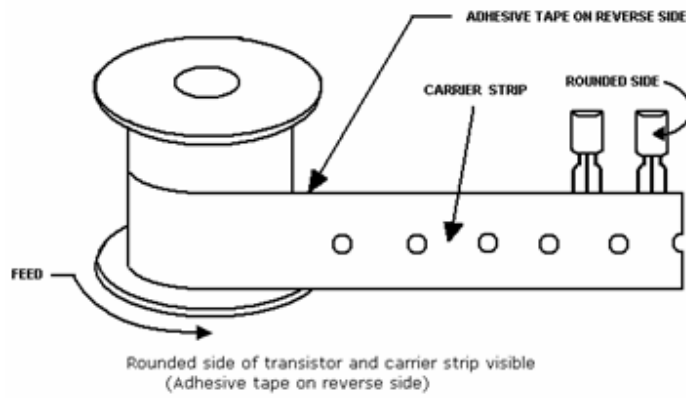


7.5.14. FIGURE 11c: Flat side of Transistor and Adhesive Tape Visible Style E

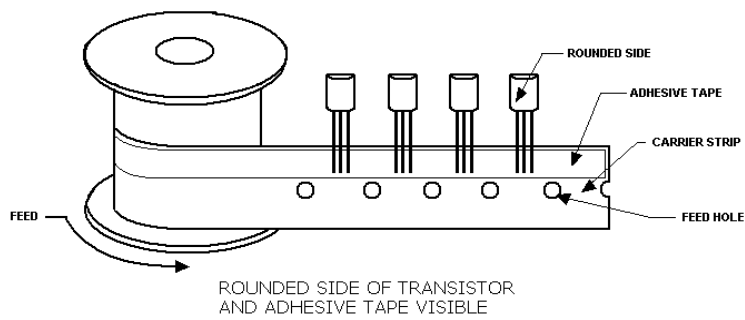


7.5.15. FIGURE 11d: Rounded side of transistor and carrier strip visible (Style F)

Maxim Integrated	TITLE: [PH/TH] [T&R/TEST PROD] STANDARD QUANTITY ON REEL AND ORIENTATION OF TAPE AND REEL		
	DOCUMENT I.D. 04-4051	REVISION X	PAGE 62



7.5.16. FIGURE 12: Rounded side transistor and adhesive tape visible (Style Straight Leads)



- | | | |
|-----|-------------------------|-----|
| 8. | <u>การยอมรับ</u> | N/A |
| 9. | <u>การจัดการวัสดุ:</u> | N/A |
| 10. | <u>การบันทึกข้อมูล:</u> | N/A |
| 11. | <u>การบำรุงรักษา:</u> | N/A |
| 12. | <u>ภาคผนวก:</u> | N/A |

Maxim Integrated	TITLE: [PH/TH] [T&R/TEST PROD] STANDARD QUANTITY ON REEL AND ORIENTATION OF TAPE AND REEL		
	DOCUMENT I.D. 04-4051	REVISION X	PAGE 63

REVISION HISTORY

REV	JUSTIFICATION OF ECN	DATE	INIT.
A	ECN PH-06-0621. Transferred from Doc. # 03-17-0061 to Doc. # 04-4051 in order to align with HQ-DC Standard Numbering System. Added standard orientation in tape of QFN and uDFN 1.5 x 1, 2x2 and 2x3 based on the Tape and Reel Procedures.	06/08/06	BJP
B	ECN PH-09-1417. Complete rewrite. Include guidelines for standard quantity per reel. Include standard orientation to all applicable packages in tape and reel.	11/28/09	AC
C	ECN # PH-10-0863. Complete rewrite.	06/07/10	AC/CS/AT
D	ECN # PH-10-1100. Included column for package at item 7.4. Changed orientation requirement for W161B1+1 and W423C3+1.	07/28/10	AC
E	CANCELED.	11/18/10	AC
F	CANCELED.	11/25/10	AC/CS
G	ECN # PH-10-1931. Added PH-B on the affected facility. Revised item #: 7.4.11, 7.4.19, 7.4.20 and 7.4.21.3. Added item # 7.4.22 – 7.4.25. Added note on item # 7.5.11.	01/04/11	AC/CS
H	ECN # PH-11-0181. ADDED IN NOTE OF 7.5.11 - B. A component is considered square if the edges have a difference no greater than 0.3mm between the nominal length and width.	03/03/11	CS
I	ECN # PH-11-2103. Removed 13" on reel size under SC70 since there is no 10,000 requirement for this package as per planning.	08/02/11	CS
J	ECN # PH-12-0048. Added 48 new WLP package types under Item 7.4.21.3. For WLP Packages Table and 7.5.1.1.	02/23/12	CS/AC/CS/JG
K	ECN # PH-12-0231. Revised item # 7.5.1.1, 7.5.3, 7.5.4, 7.5.5, 7.5.6, 7.5.7 and 7.5.8.	03/18/12	JG/CS/LO
L	ECN # PH-12-0308. Revised item # 7.5.1 and 7.5.8 to incorporate EIA 481 leader tape length requirement.	04/17/12	AC/CS/JG
M	ECN # PH-12-0800. Added package code item # 7.4.24. and included orientation on item # 7.5.9. for SFN3.5x6.5 and SFN3.5x5	07/31/12	JG
N	ECN # PH-12-1288. Major Specification due to change the format on Standard quantity per package. Included Quantity per reel, Pin 1 orientation and EIA481D requirement. Added new WLP packages W423E3+1, W202E2Z+1, W423B3+1, W2256C6+1, W121F1+1, W162G2+1, W252J2+1, W904C4+1, W61F0+1, W642B2+1, W252K2+1, W161E1+1, W1214A4+1, W563D3+1, W1695B5+2, W121G1+1, W121E2+1	10/09/12	AC/CS/JG
O	ECN # PH-13-0277. Update to include OS02 (oLGA 2.8x5.6x1.2) F142A5+1 package. Orientation requirement and quantity per reel.	02/15/13	AC
P	ECN # PH-13-0277. Update to include OS17 (oLGA 2.0x5.6x1.2) F142AB package. Orientation requirement and quantity per reel.	07/10/13	AC
Q	ECN # PH-13-2453. Revise item 7.4.22 on SOT U3 and U5, For 7" reel, quantity per reel 2,500 / 3,000. For 13" reel, quantity per reel 10,000. Revise orientation on item 7.5.8 for uDFN 1.5x1 from uDFN 1x1.5	10/29/13	AC
R	ECN # PH-14-1665. Added the following in table 7.4.14 For LGA Packages: LGA 4x13 LGA 6.5x10 LGA 9x15 OIGA 3.3x5.6. Added the following in table 7.5.8 Figure 7: 2.8x5.6; 3.3x5.6; 4x13; 6.5x10; 9x15	10/16/14	LO
S	ECN #PH-14-1806. Updated table 7.4.10 to include Scintera QFN 9x9 and 11x11 packages type.	11/17/14	LO
T	ECN#PH-15-0169. Updated items 7.4.14 and figure 6 for LGA 6.5X10 and 9X15 unit orientation from quad 1 to quad 2.	02/12/15	LO
U	ECN#PH-15-1340. Revised all 3x3 package types mentioned in items 7.4.11 and 7.4.13 .Removed PH-Batangas on the affected facility.	10/04/15	LO
W	ECN#PH-18-0366 Added Thai Language	02/20/18	KM/LO
X	ECN PH-18-2758. Revised items 7.4.3., 7.4.5., 7.4.6., 7.4.10., 7.4.12., 7.4.18., 7.4.19., 7.4.21., 7.4.23., - 7.4.27., 7.4.29., 7.4.31., 7.4.33., 7.4.34., 7.5.5., 7.5.7 and 7.5.8. Added items 7.4.11., 7.4.13.-7.4.17., 7.4.20., 7.4.22., 7.4.32.	08/02/18	LO

Maxim Integrated	TITLE: [PH/TH] [T&R/TEST PROD] STANDARD QUANTITY ON REEL AND ORIENTATION OF TAPE AND REEL		
	DOCUMENT I.D. 04-4051	REVISION X	PAGE 64