

D

C

B

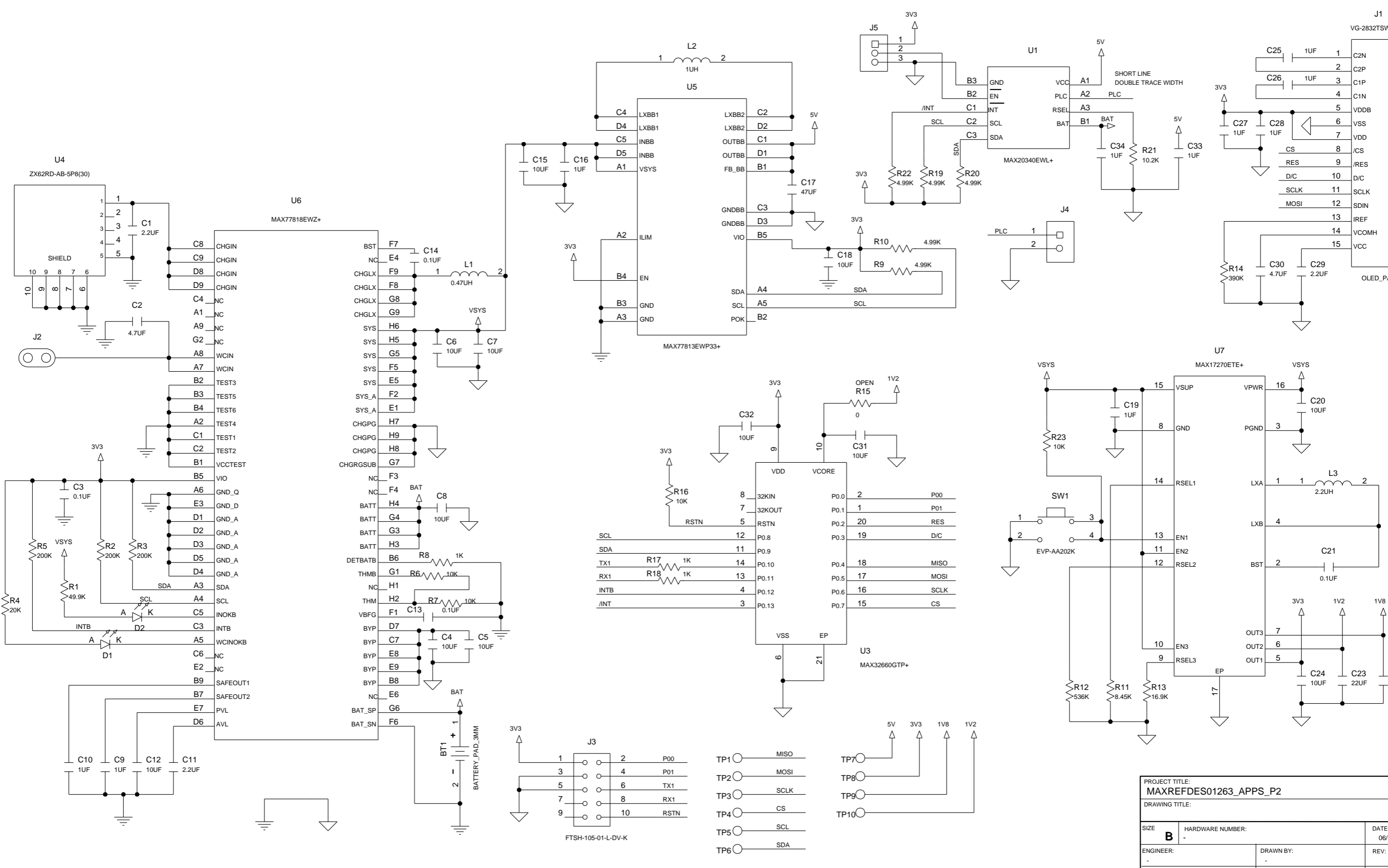
A

D

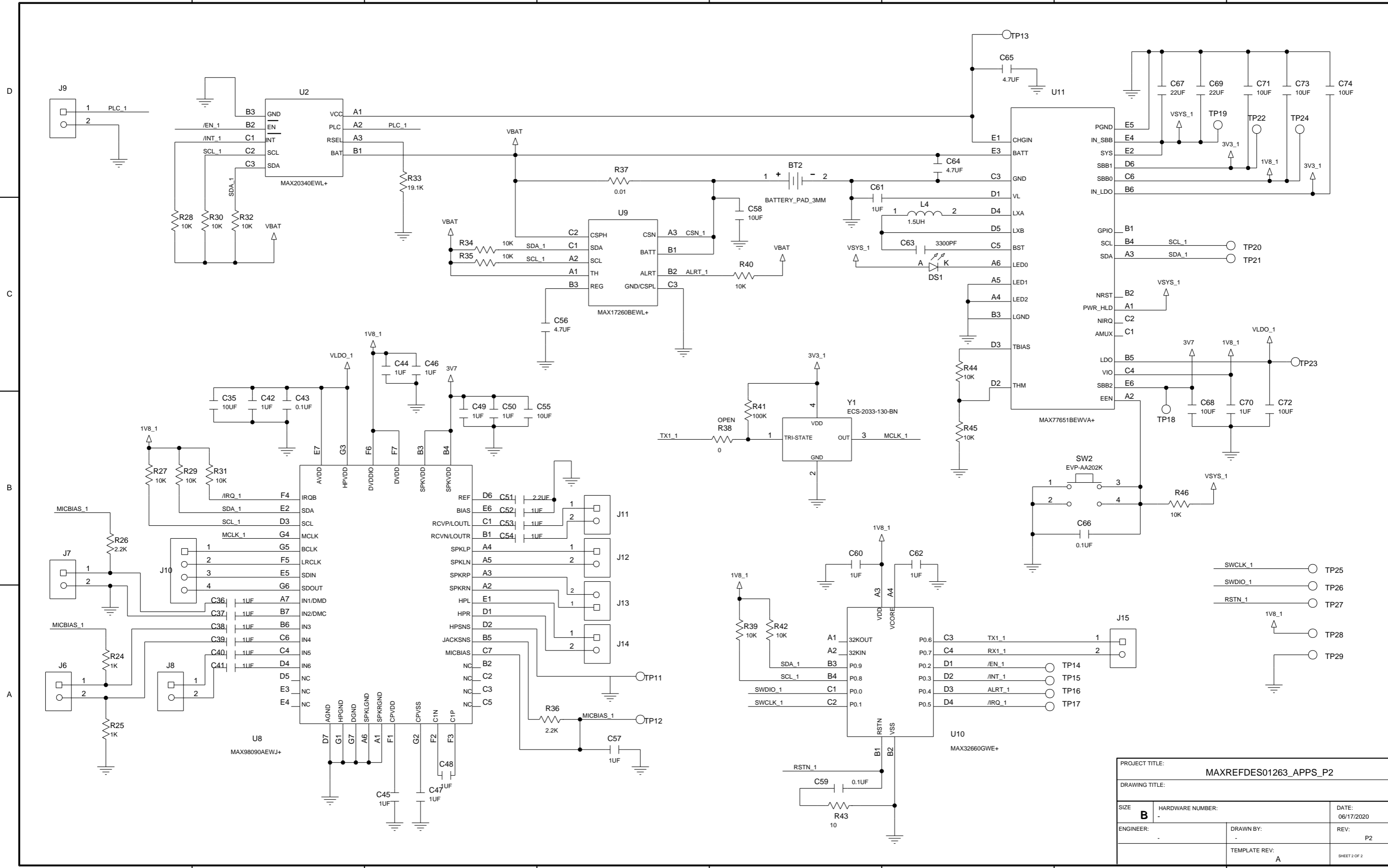
C

B

A



PROJECT TITLE: MAXREFDES01263_APPS_P2		
DRAWING TITLE:		
SIZE B	HARDWARE NUMBER:	DATE: 06/17/2020
ENGINEER:	DRAWN BY:	REV: P2
	TEMPLATE REV: A	SHEET 1 OF 2



PROJECT TITLE:		
MAXREFDES01263_APPS_P2		
DRAWING TITLE:		
SIZE	HARDWARE NUMBER:	DATE:
B	-	06/17/2020
ENGINEER:	DRAWN BY:	REV:
-	-	P2
TEMPLATE REV:		SHEET 2 OF 2
A		

- SWCLK_1 TP25
- SWDIO_1 TP26
- RSTN_1 TP27
- 1V8_1 TP28
- TP29