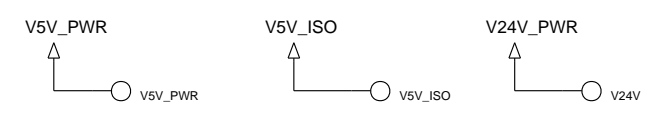
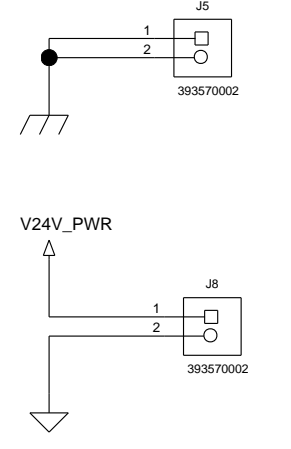
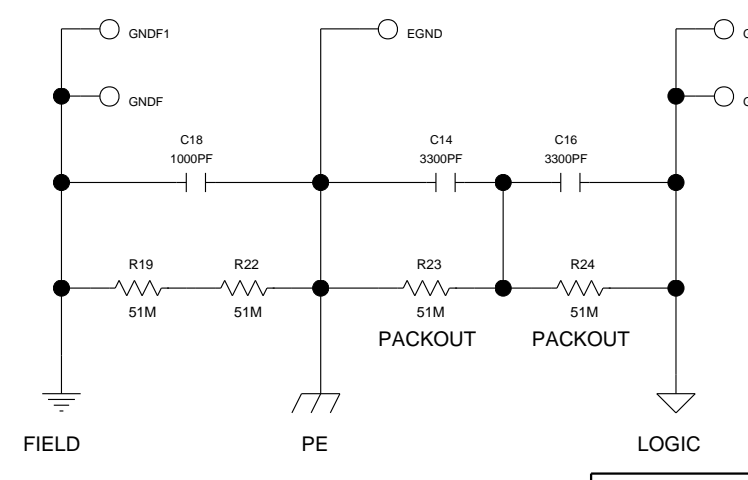
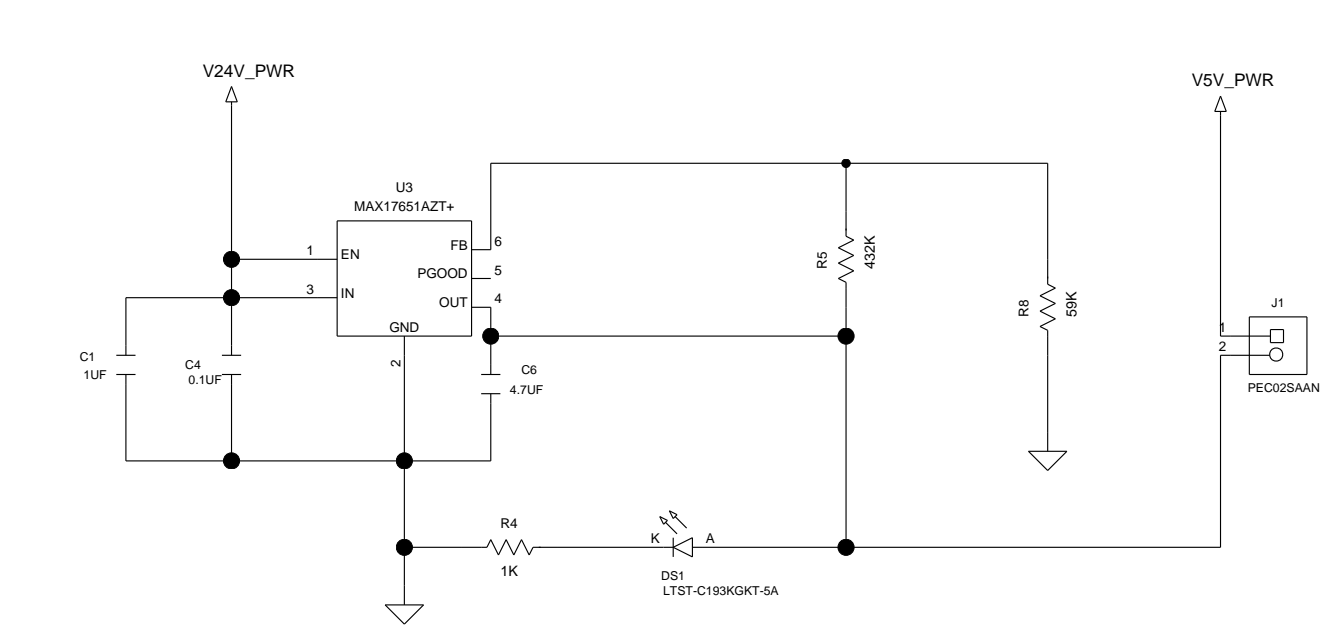
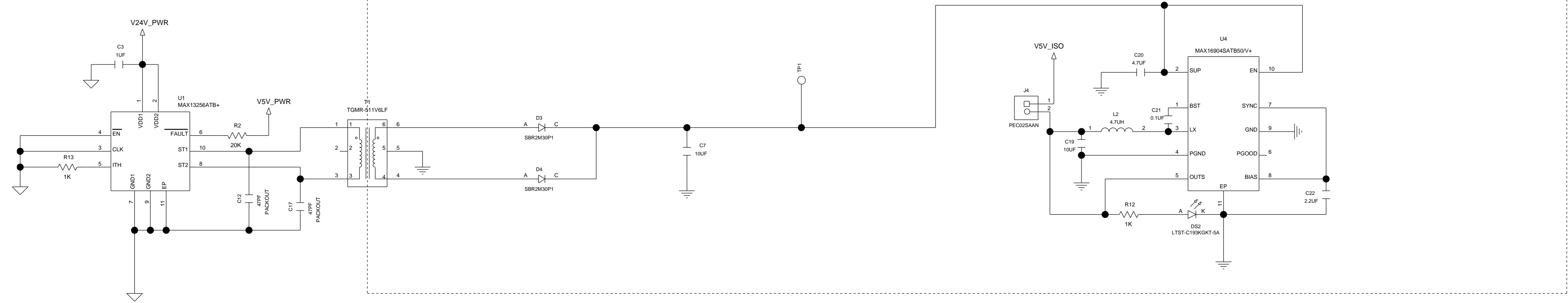
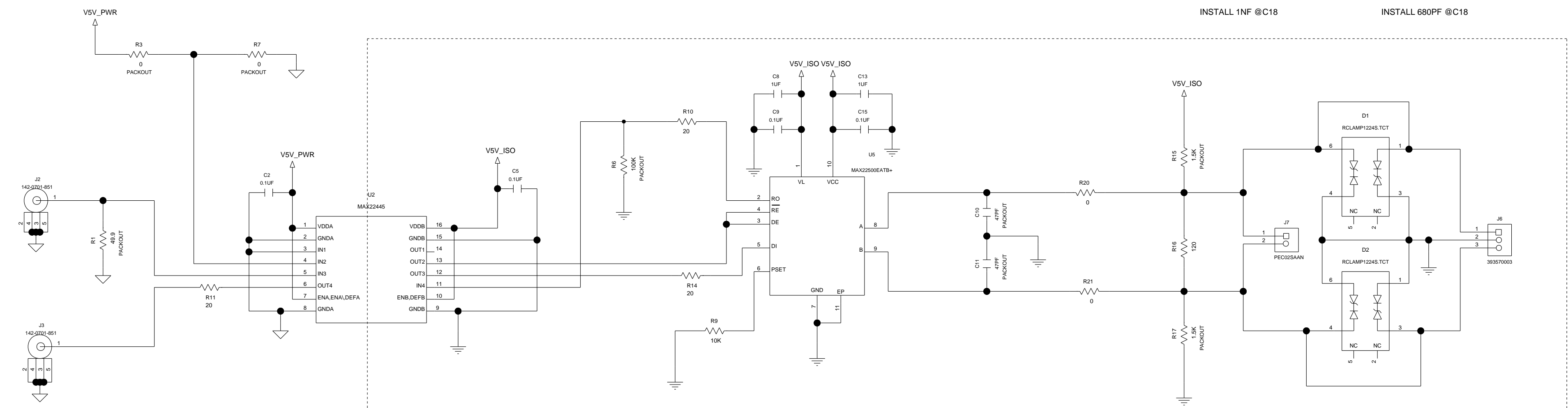


REVISIONS				
ZONE	LTR	DESCRIPTION	DATE	APPR.

TX BOARD:
 INSTALL R3 AND R6
 INSTALL MAX22445
 INSTALL 1NF @C18

RX BOARD:
 INSTALL R7
 INSTALL MAX14435
 INSTALL 680PF @C18



PROJECT TITLE: MAX22500E_DEMO_APPS_A		
DRAWING TITLE:		
SIZE: C	HARDWARE NUMBER:	DATE: 11/2019
ENGINEER:	DRAWN BY:	REV.: A
TEMPLATE REV.: A		SHEET 1 OF 1