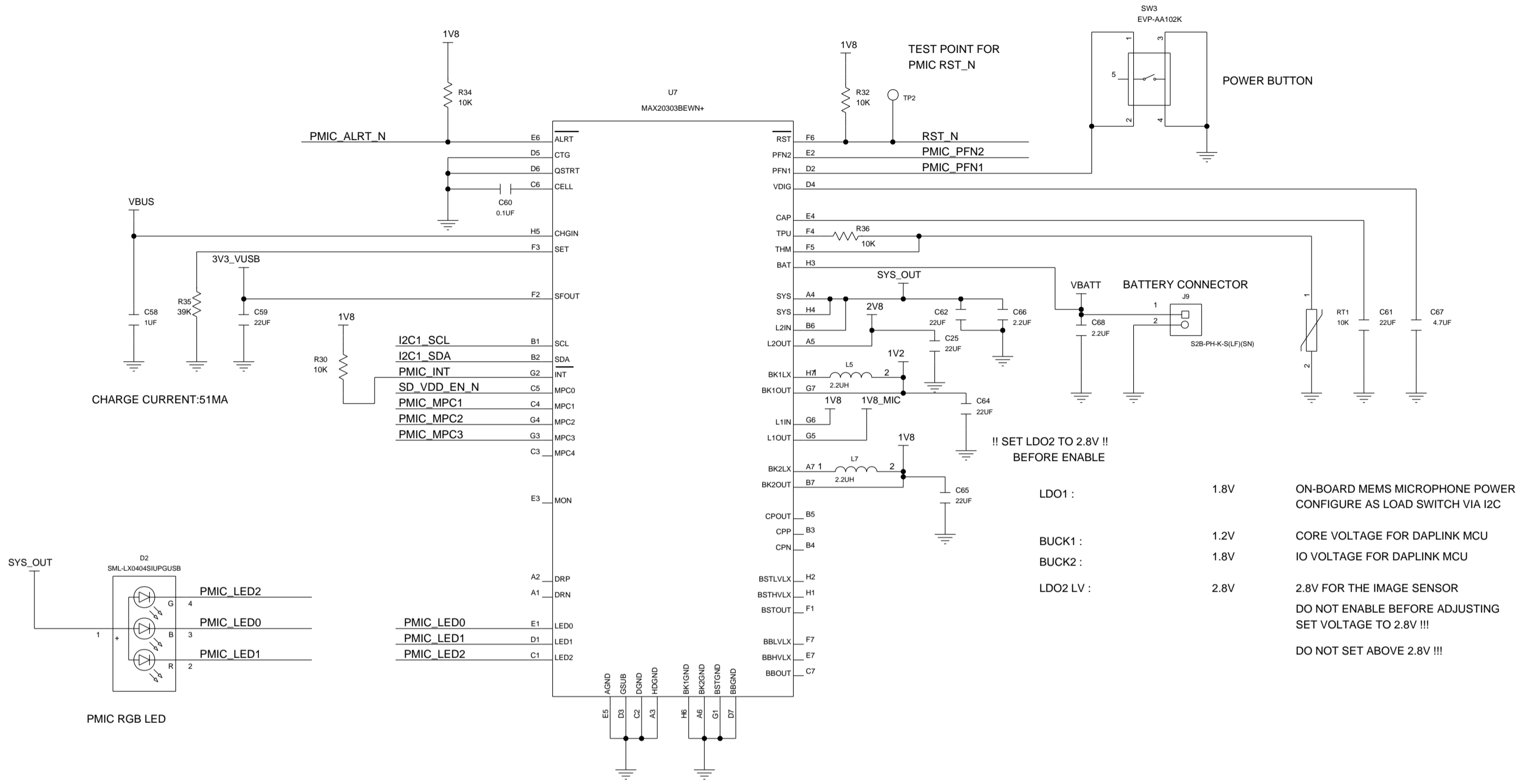
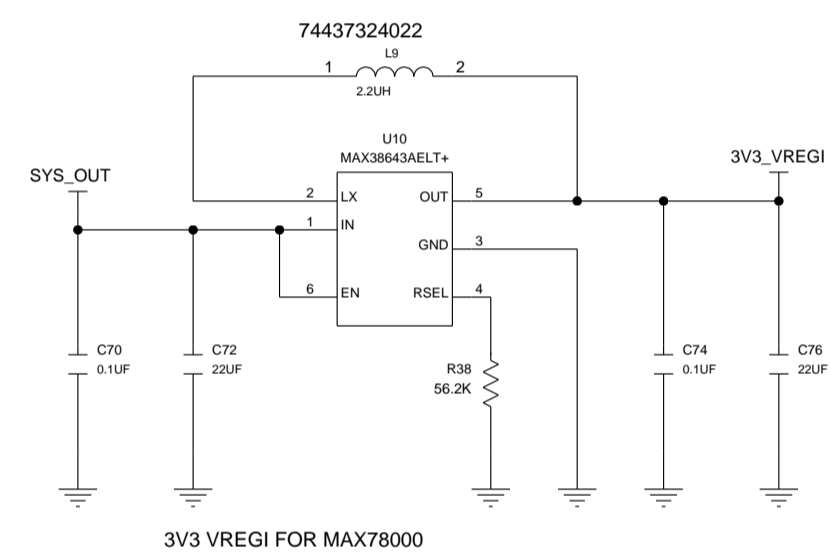
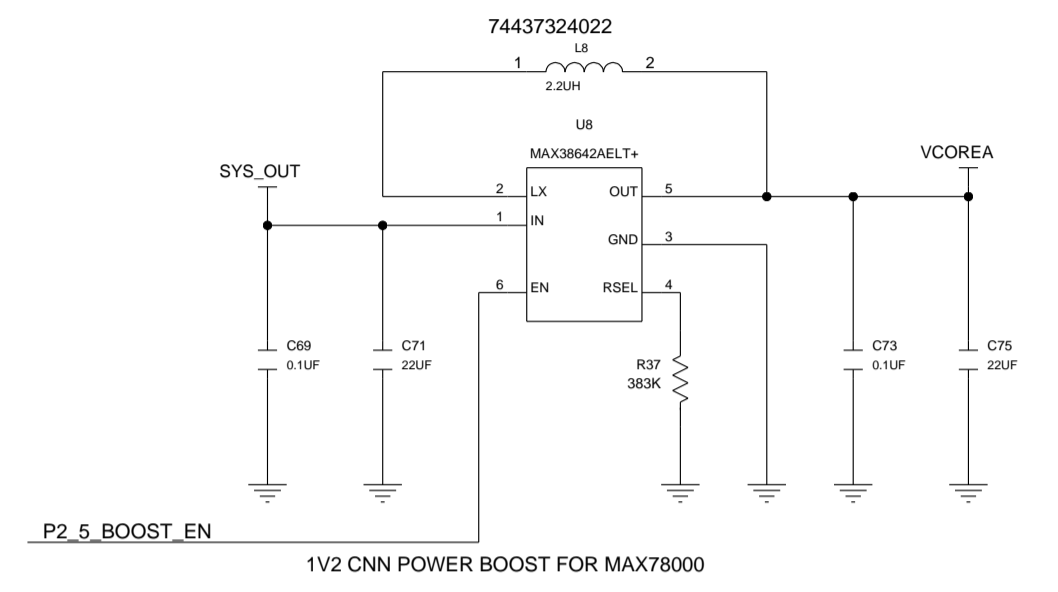


REVISIONS				
ZONE	LTR	DESCRIPTION	DATE	APPR.

INTERNAL NOTE:
 REPLACED MAX38643A WITH MAX38642A
 ACTIVE DISCHARGE RESISTOR DOES NOT EXIST ON
 MAX38642A



!! SET LDO2 TO 2.8V !!
 BEFORE ENABLE

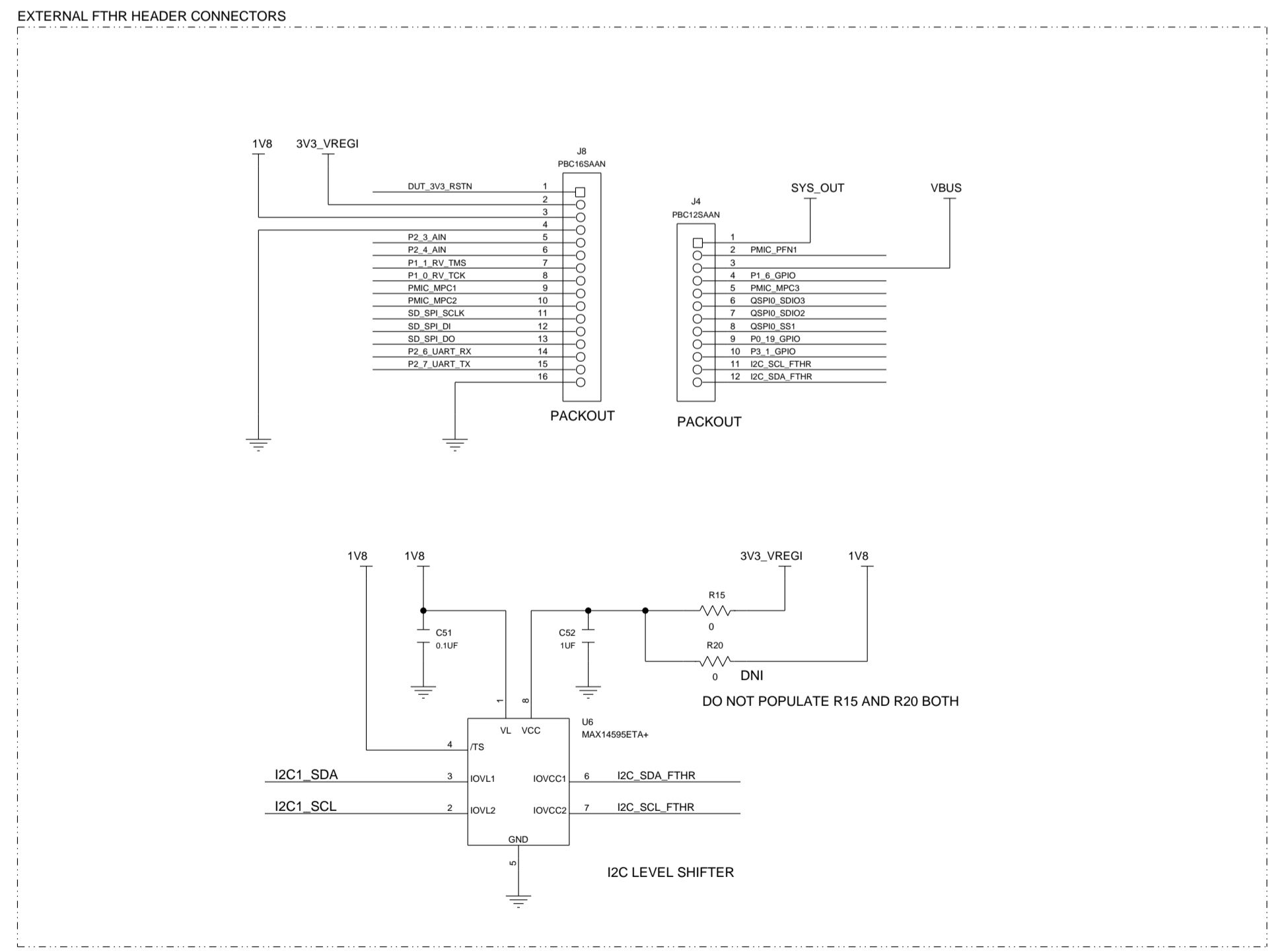
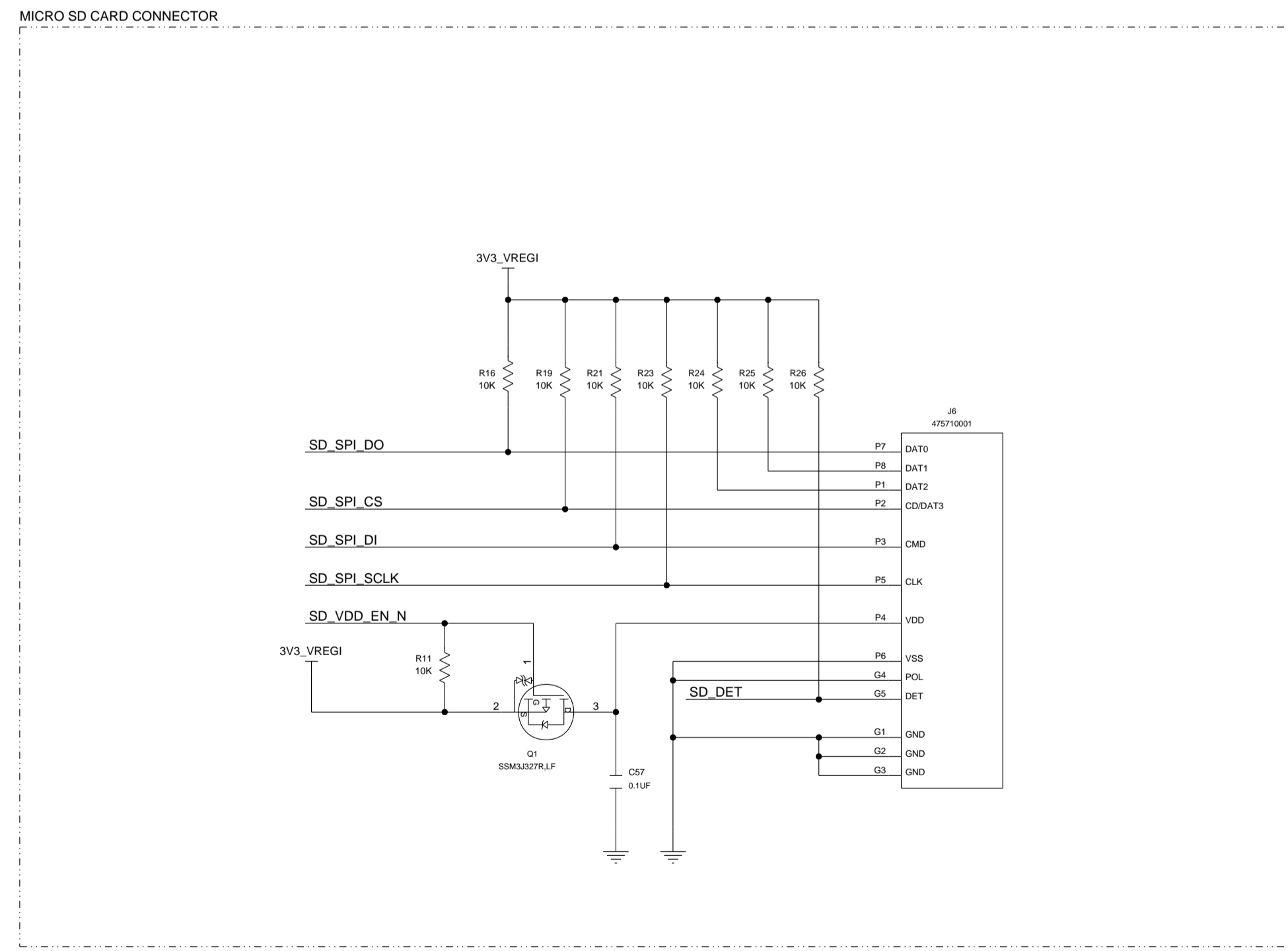
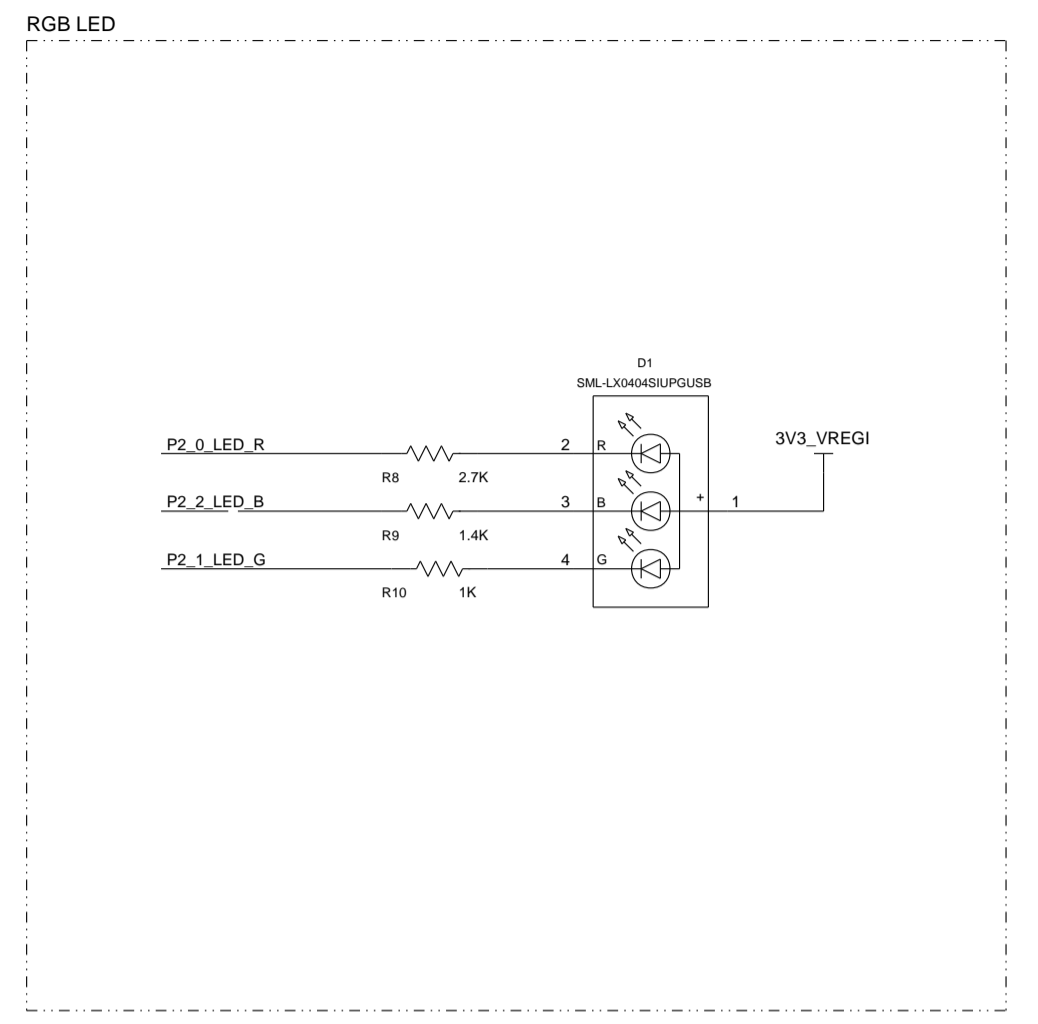
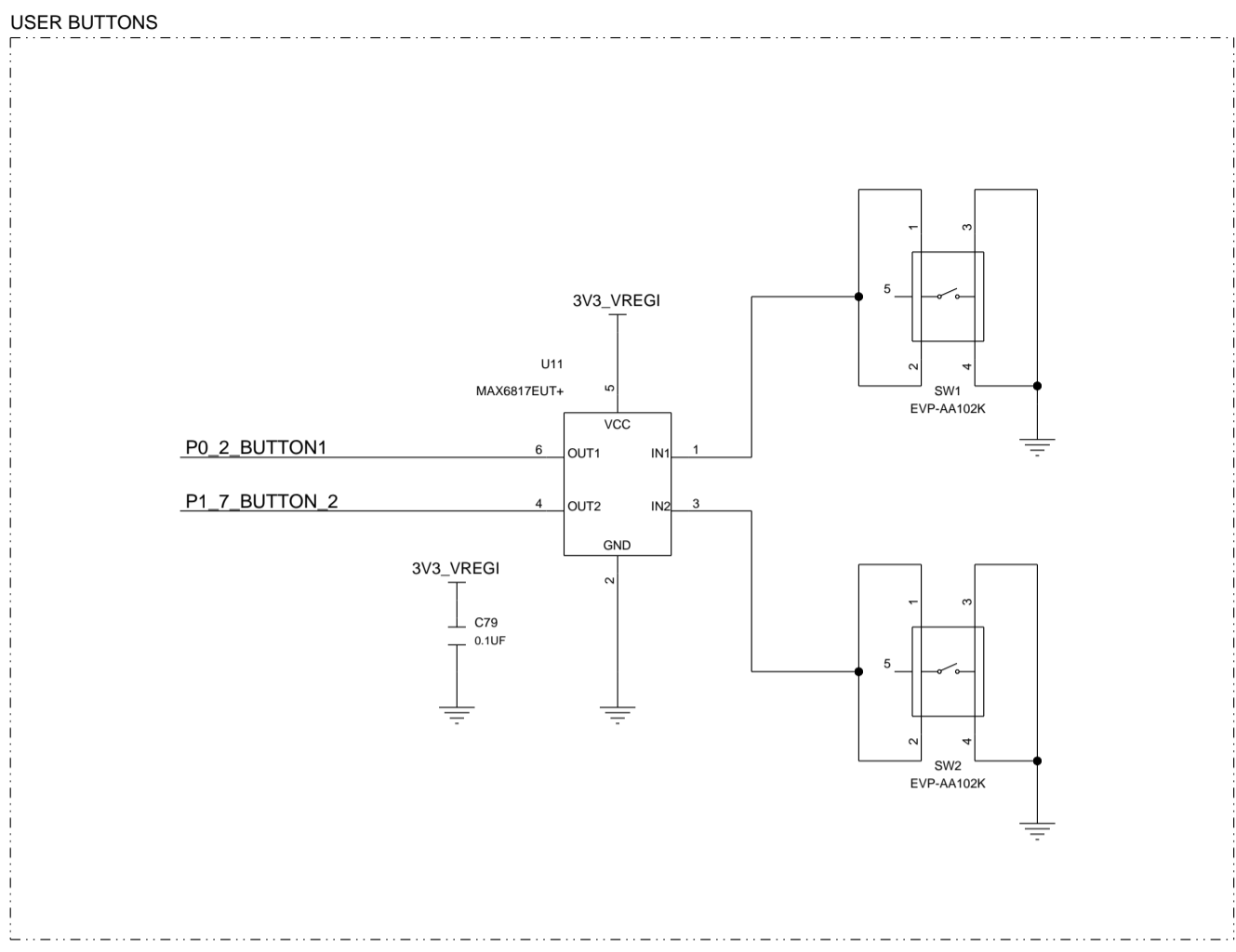
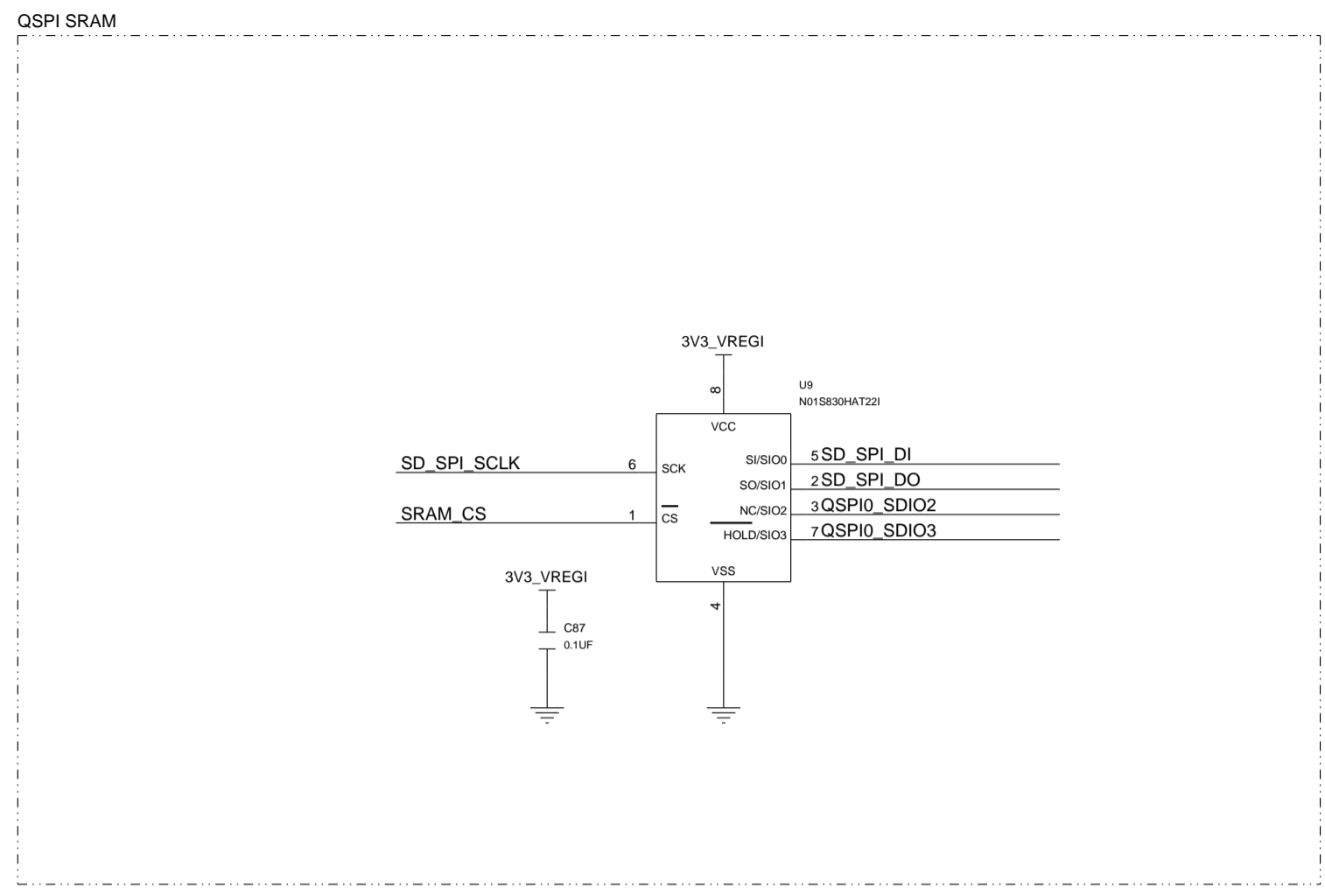
- LDO1 : 1.8V ON-BOARD MEMS MICROPHONE POWER CONFIGURE AS LOAD SWITCH VIA I2C
- BUCK1 : 1.2V CORE VOLTAGE FOR DAPLINK MCU
- BUCK2 : 1.8V IO VOLTAGE FOR DAPLINK MCU
- LDO2 LV : 2.8V 2.8V FOR THE IMAGE SENSOR
DO NOT ENABLE BEFORE ADJUSTING SET VOLTAGE TO 2.8V !!!
DO NOT SET ABOVE 2.8V !!!



THIS DOCUMENT CONTAINS INFORMATION PROPRIETARY TO MAXIM USE OR DISCLOSURE WITHOUT THE WRITTEN PERMISSION OF AN OFFICER OF MAXIM IS EXPRESSLY FORBIDDEN.

PROJECT TITLE: MAX78000_FTHR_APPS_A		
DRAWING TITLE:		
SIZE: C	HARDWARE NUMBER:	DATE: 09/17/2020
ENGINEER:	DRAWN BY:	REV.: A
TEMPLATE REV.:		SHEET 1 OF 5

REVISIONS				
ZONE	LTR	DESCRIPTION	DATE	APPR.



maxim integrated™

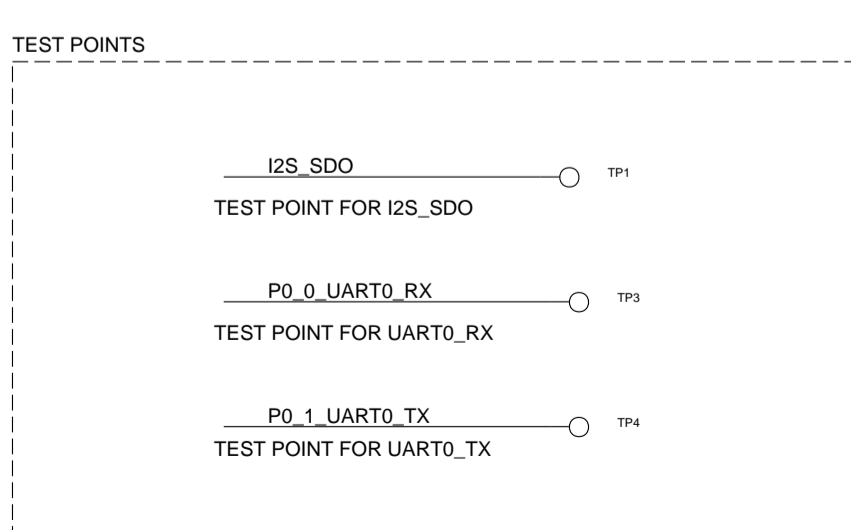
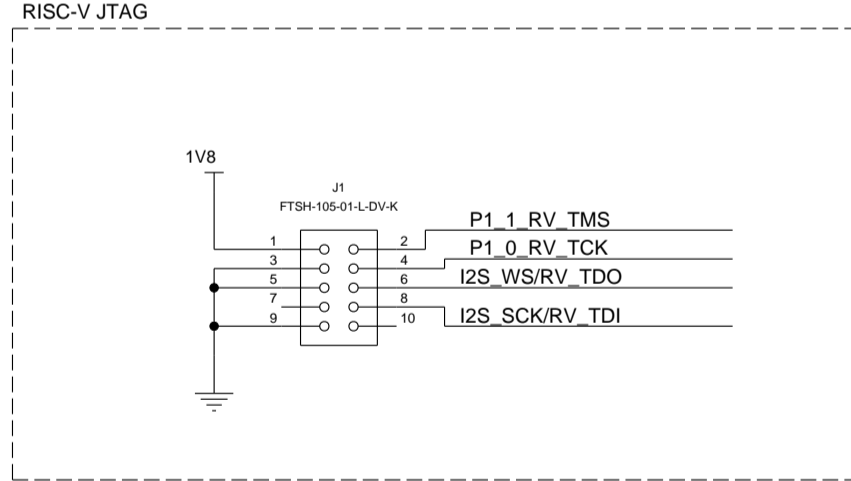
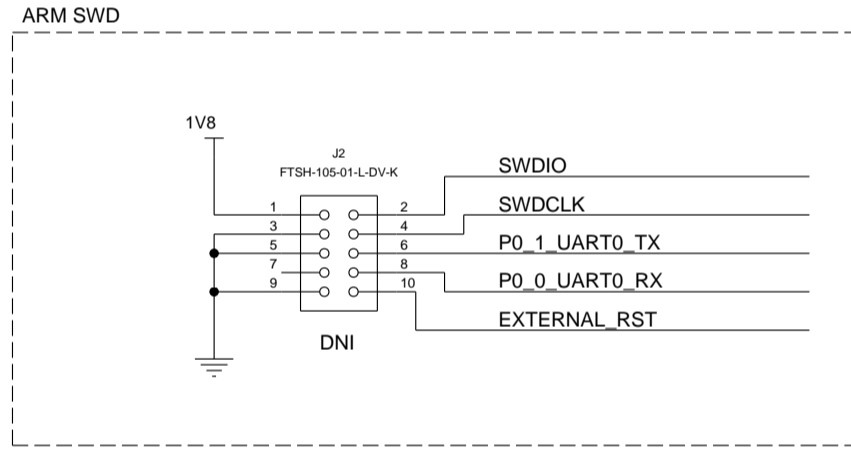
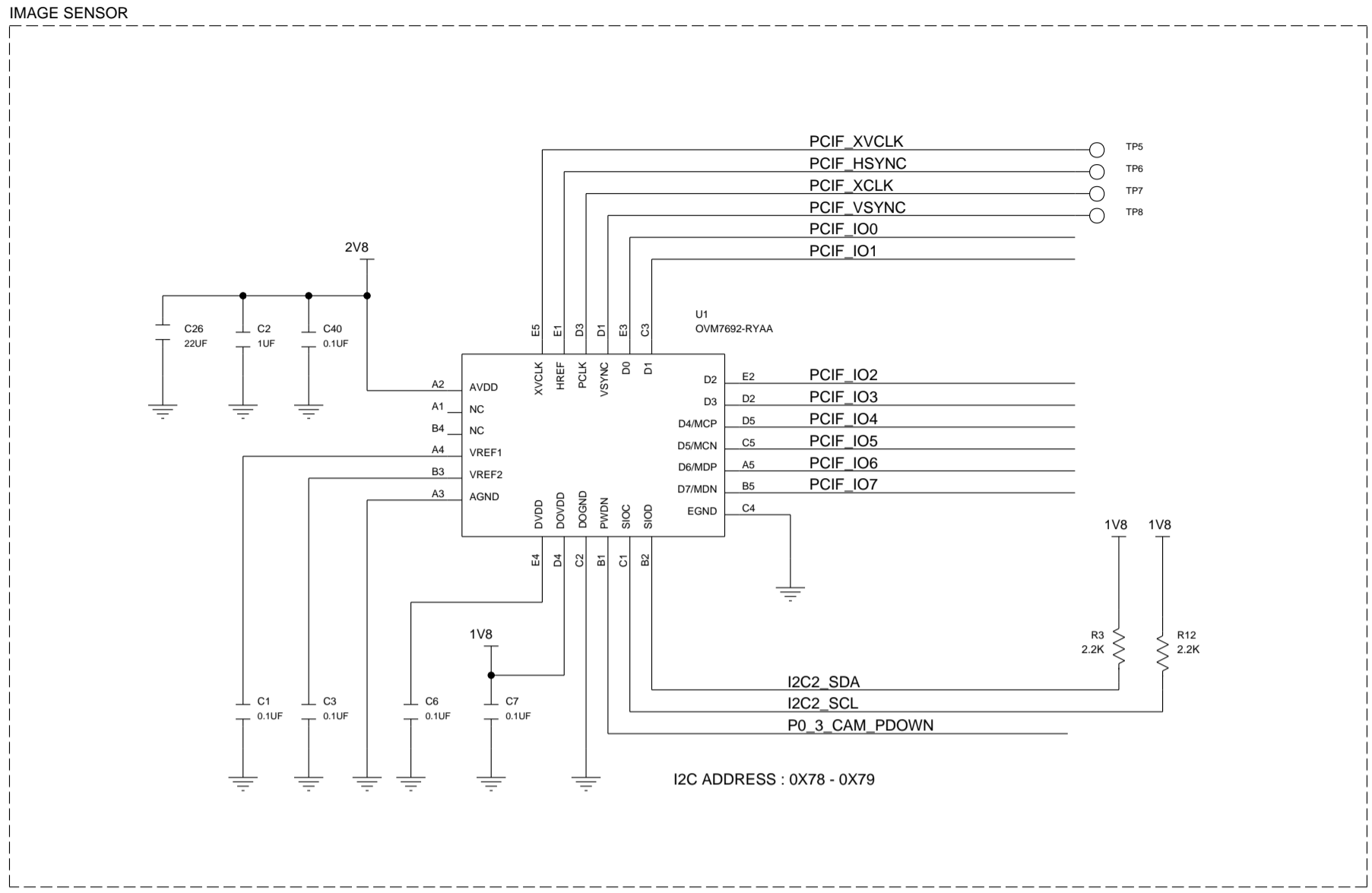
THIS DOCUMENT CONTAINS INFORMATION PROPRIETARY TO MAXIM USE OR DISCLOSURE WITHOUT THE WRITTEN PERMISSION OF AN OFFICER OF MAXIM IS EXPRESSLY FORBIDDEN.

PROJECT TITLE: MAX78000_FTMR_APPS_A

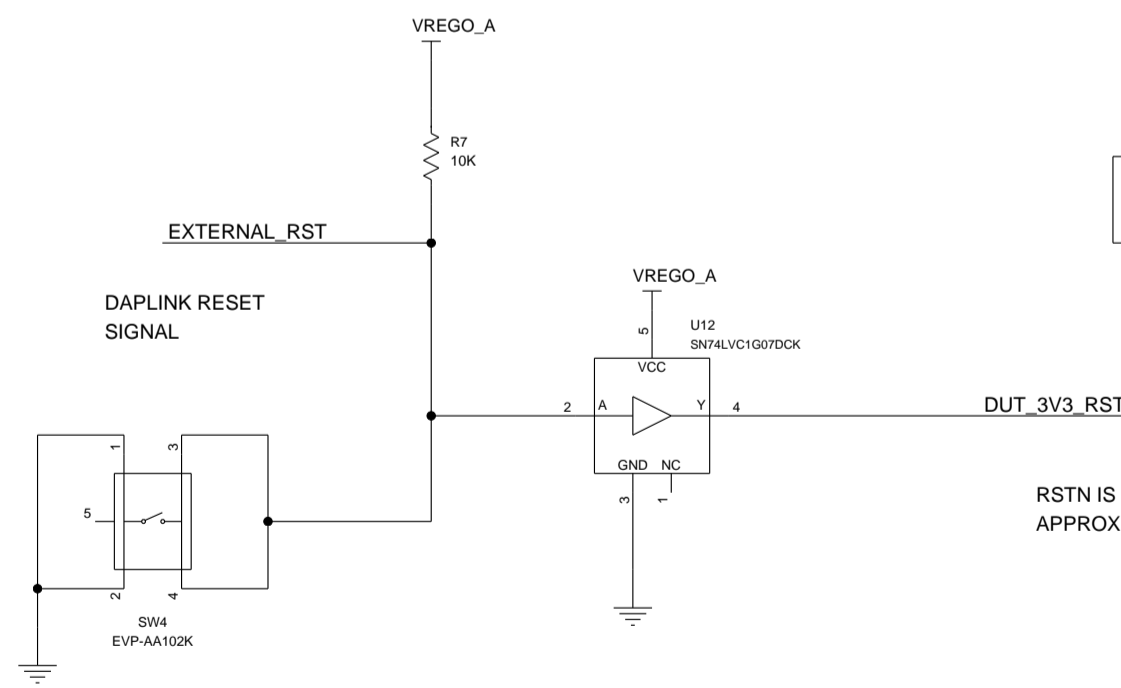
DRAWING TITLE:

SIZE: C	HARDWARE NUMBER:	DATE: 09/17/2020
ENGINEER:	DRAWN BY:	REV.: A
TEMPLATE REV.:		SHEET 2 OF 5

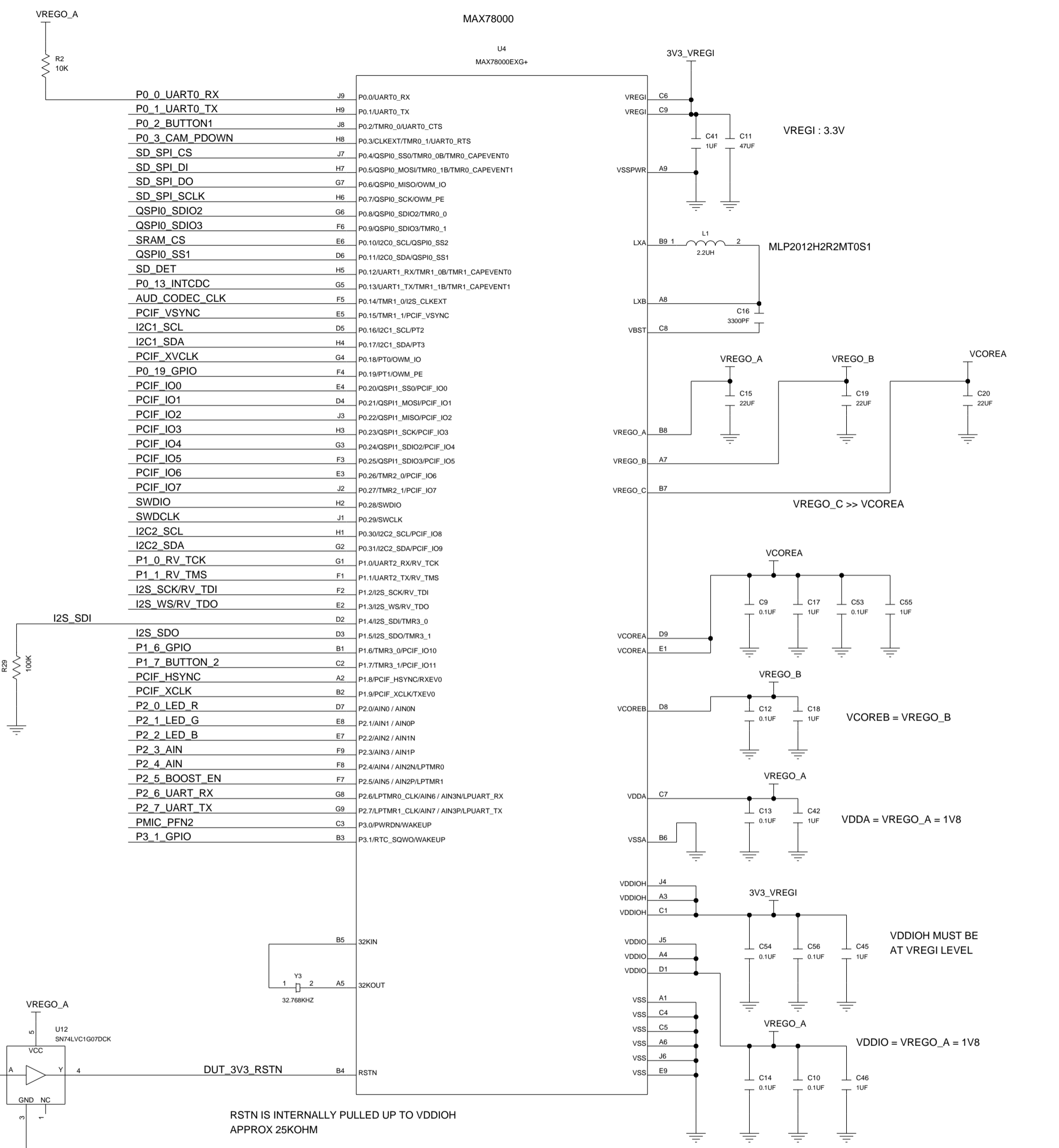
REVISIONS				
ZONE	LTR	DESCRIPTION	DATE	APPR.



NOTE TO REVIEWER: DUE TO PMIC 1V8 IS TURNING AFTER THE SIMO OPEN DRAIN BUFFER SUPPLY AND PULL-UP RESISTORS CONNECTED TO THE SIMO (VREGO_A)



MAX78000	MAX78000EXG+
P0_0_UART0_RX	J9
P0_1_UART0_TX	H9
P0_2_BUTTON1	J8
P0_3_CAM_PDOWN	H8
SD_SPI_CS	J7
SD_SPI_DI	H7
SD_SPI_DO	G7
SD_SPI_SCLK	H6
QSPI0_SDIO2	G6
QSPI0_SDIO3	F6
SRAM_CS	E6
QSPI0_SS1	D6
SD_DET	H5
P0_13_INTCDC	G5
AUD_CODEC_CLK	F5
PCIF_VSYNC	E5
I2C1_SCL	D5
I2C1_SDA	H4
PCIF_XVCLK	G4
P0_19_GPIO	F4
PCIF_IO0	E4
PCIF_IO1	D4
PCIF_IO2	J3
PCIF_IO3	H3
PCIF_IO4	G3
PCIF_IO5	F3
PCIF_IO6	E3
PCIF_IO7	J2
SWDIO	H2
SWDCLK	J1
I2C2_SCL	H1
I2C2_SDA	G2
P1_0_RV_TCK	G1
P1_1_RV_TMS	F1
I2S_SCK/RV_TDI	F2
I2S_WS/RV_TDO	E2
I2S_SDO	D2
P1_6_GPIO	B1
P1_7_BUTTON 2	C2
PCIF_HSYNC	A2
PCIF_XCLK	B2
P2_0_LED_R	D7
P2_1_LED_G	E8
P2_2_LED_B	E7
P2_3_AIN	F9
P2_4_AIN	F8
P2_5_BOOST_EN	F7
P2_6_UART_RX	G8
P2_7_UART_TX	G9
PMIC_PFN2	C3
P3_1_GPIO	B3



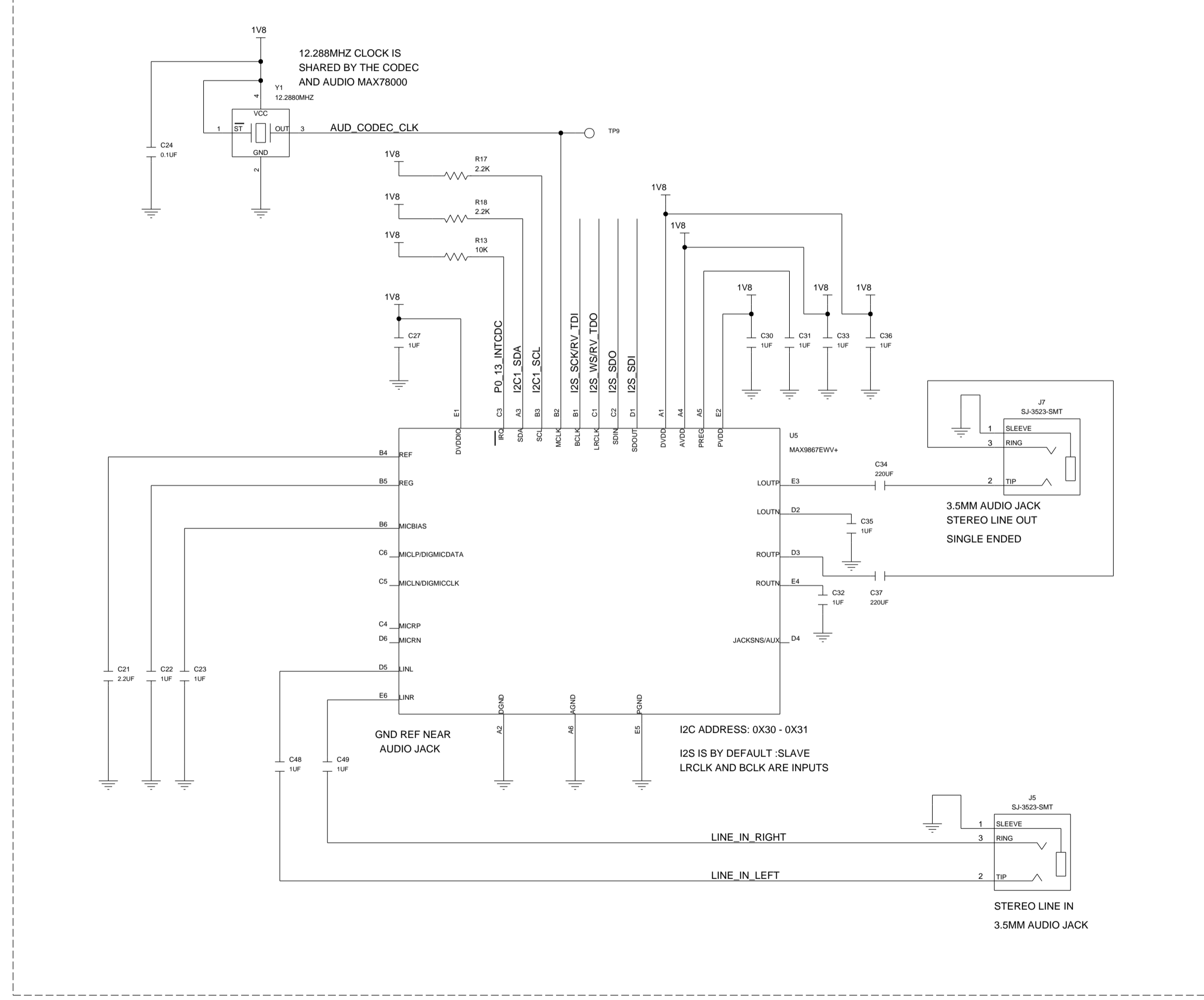
maxim integrated™

THIS DOCUMENT CONTAINS INFORMATION PROPRIETARY TO MAXIM USE OR DISCLOSURE WITHOUT THE WRITTEN PERMISSION OF AN OFFICER OF MAXIM IS EXPRESSLY FORBIDDEN.

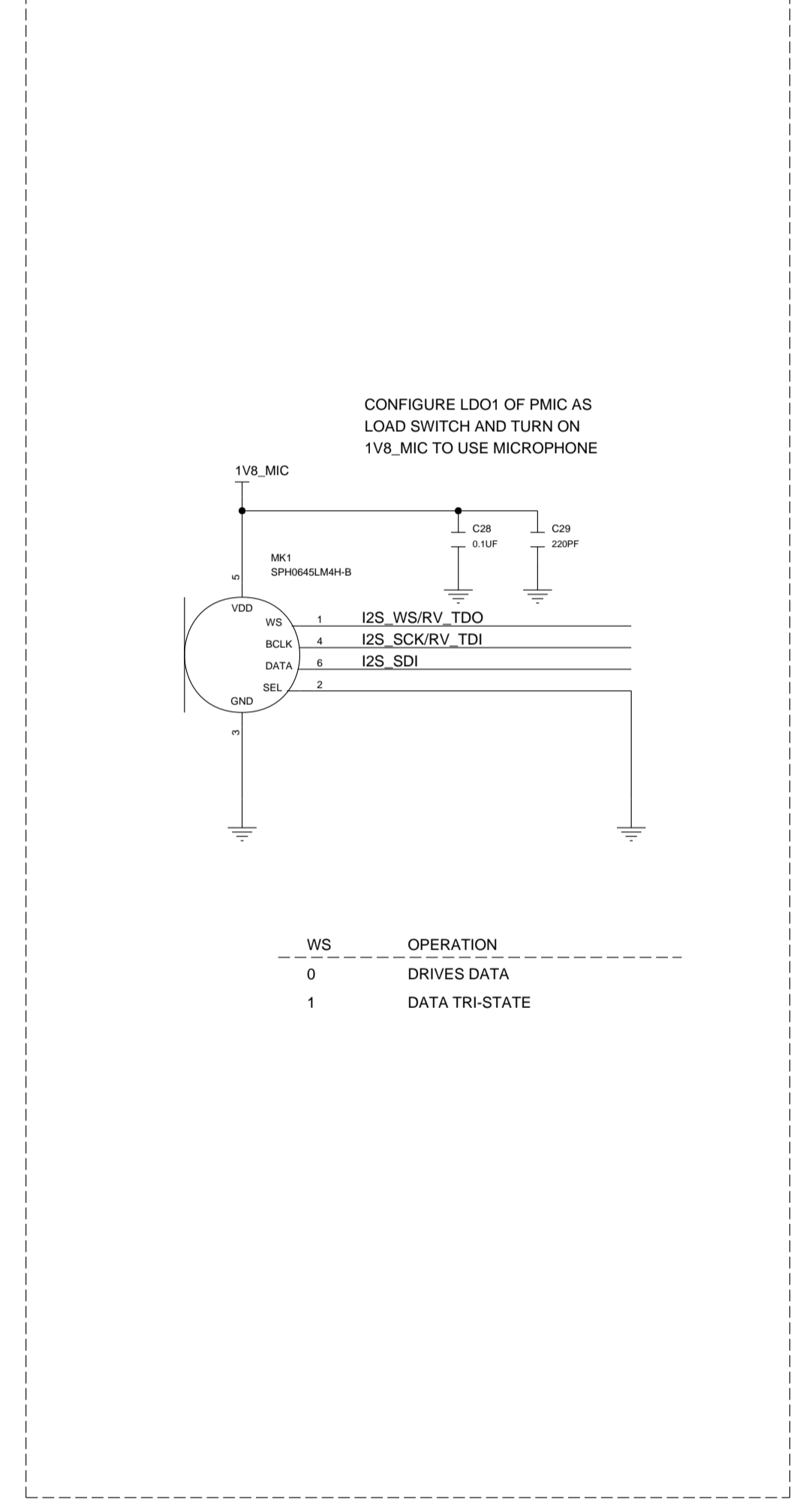
PROJECT TITLE:		MAX78000_FTHR_APPS_A	
DRAWING TITLE:			
SIZE:	HARDWARE NUMBER:	DATE:	
ENGINEER:	DRAWN BY:	REV.: A	
TEMPLATE REV.:		SHEET 3 OF 5	

REVISIONS				
ZONE	LTR	DESCRIPTION	DATE	APPR.

AUDIO - LOW-POWER STEREO AUDIO CODEC - STEREO LINE IN AND LINE OUT



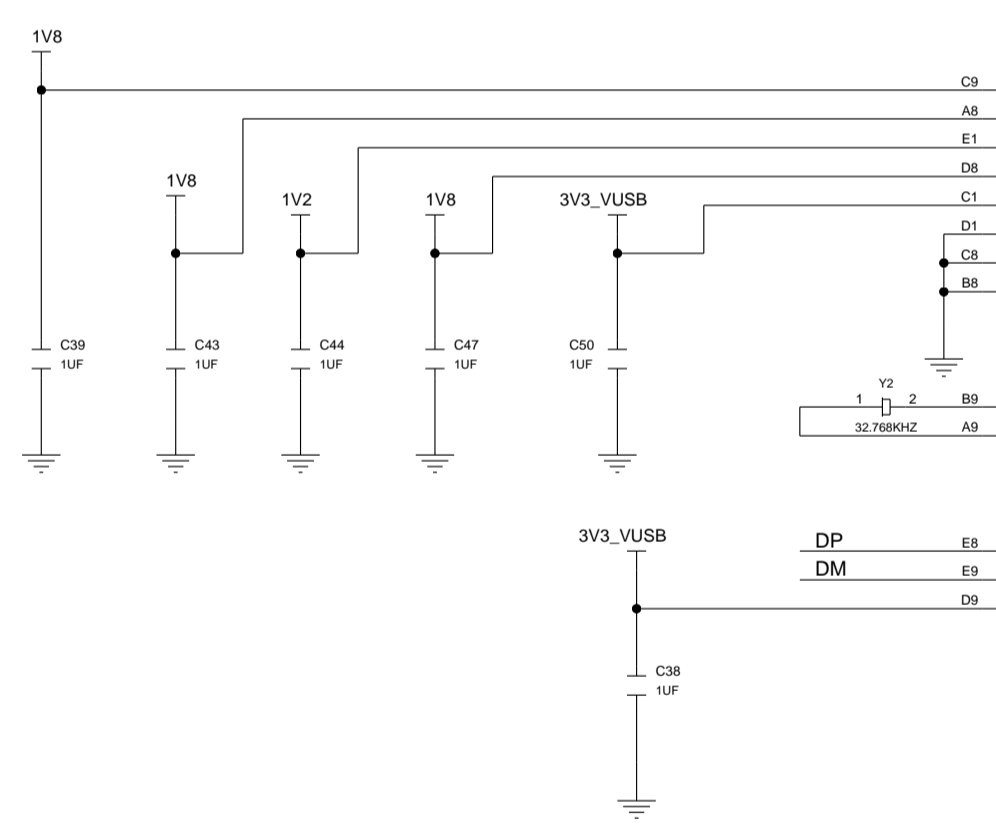
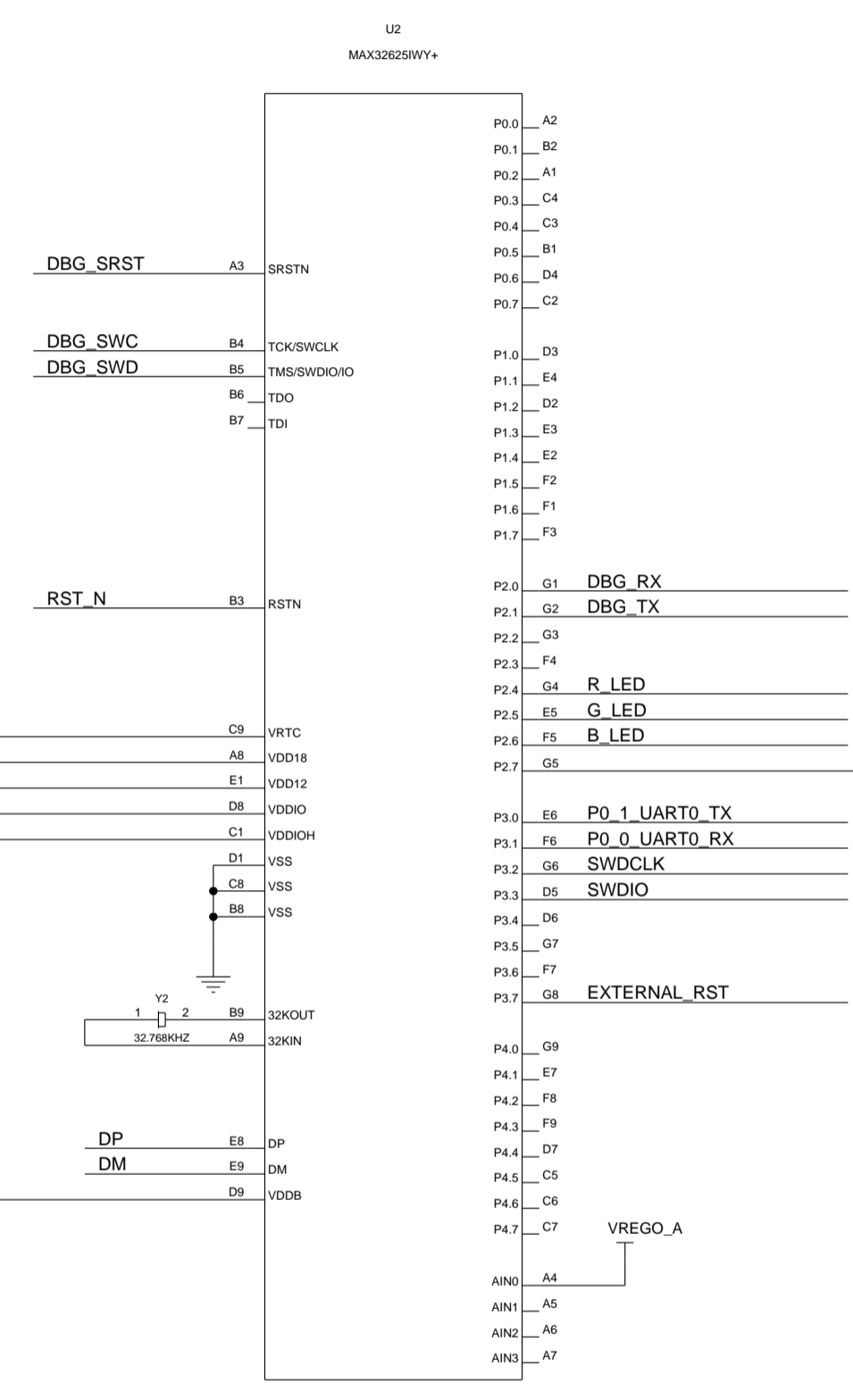
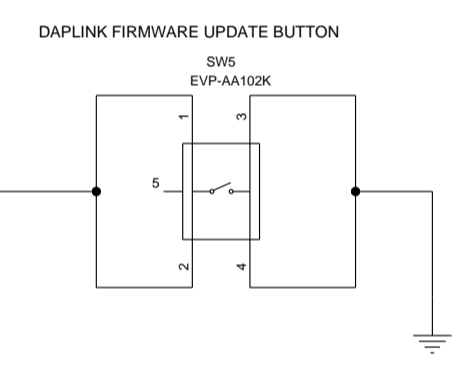
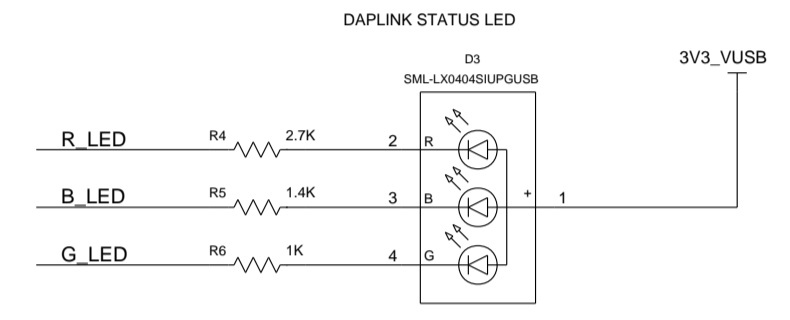
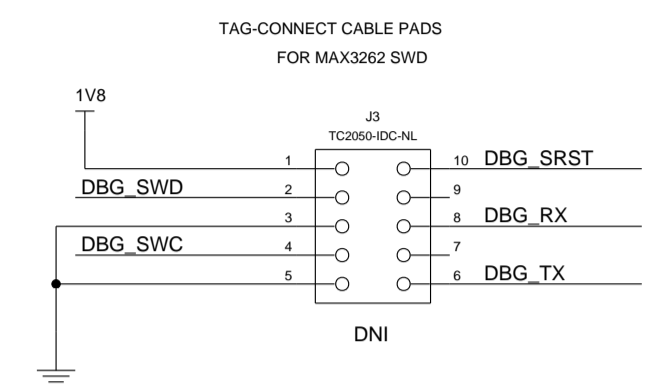
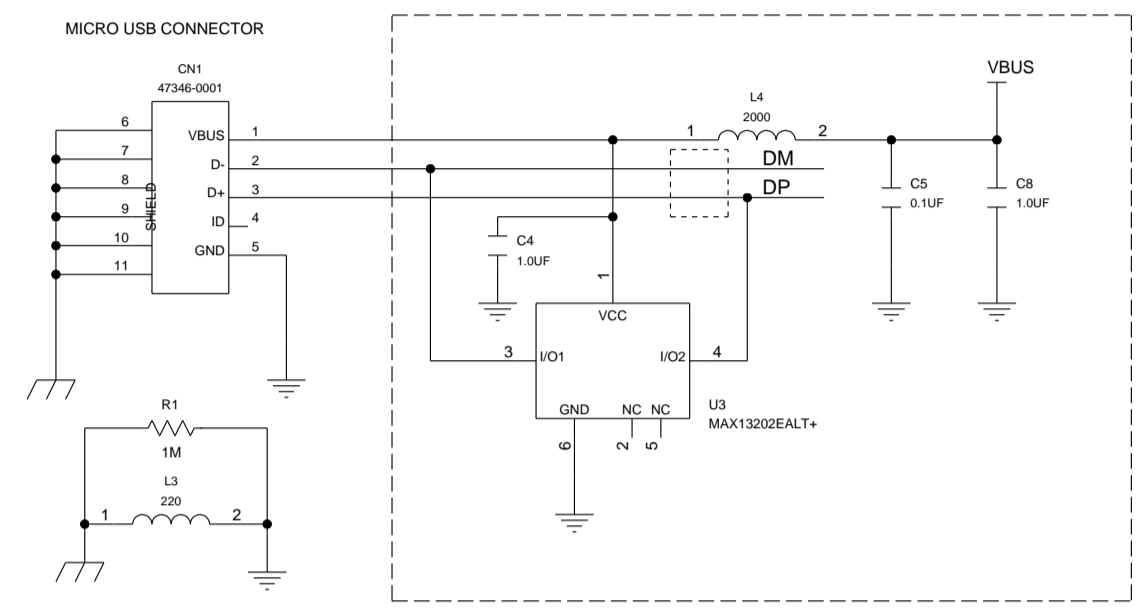
AUDIO - DIGITAL MICROPHONE



THIS DOCUMENT CONTAINS INFORMATION PROPRIETARY TO MAXIM USE OR DISCLOSURE WITHOUT THE WRITTEN PERMISSION OF AN OFFICER OF MAXIM IS EXPRESSLY FORBIDDEN.

PROJECT TITLE:		MAX78000_FTHR_APPS_A	
DRAWING TITLE:			
SIZE:	HARDWARE NUMBER:	DATE:	
C		09/17/2020	
ENGINEER:	DRAWN BY:	REV.:	
		A	
TEMPLATE REV.:		SHEET 4 OF 5	

REVISIONS				
ZONE	LTR	DESCRIPTION	DATE	APPR.



THIS DOCUMENT CONTAINS INFORMATION PROPRIETARY TO MAXIM USE OR DISCLOSURE WITHOUT THE WRITTEN PERMISSION OF AN OFFICER OF MAXIM IS EXPRESSLY FORBIDDEN.

PROJECT TITLE: MAX78000_FTHR_APPS_A		
DRAWING TITLE:		
SIZE: C	HARDWARE NUMBER:	DATE: 09/17/2020
ENGINEER:	DRAWN BY:	REV.: A
TEMPLATE REV.:		SHEET 5 OF 5