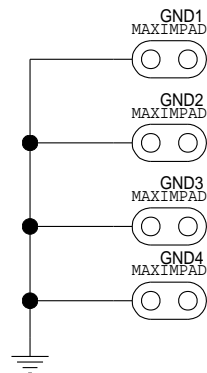


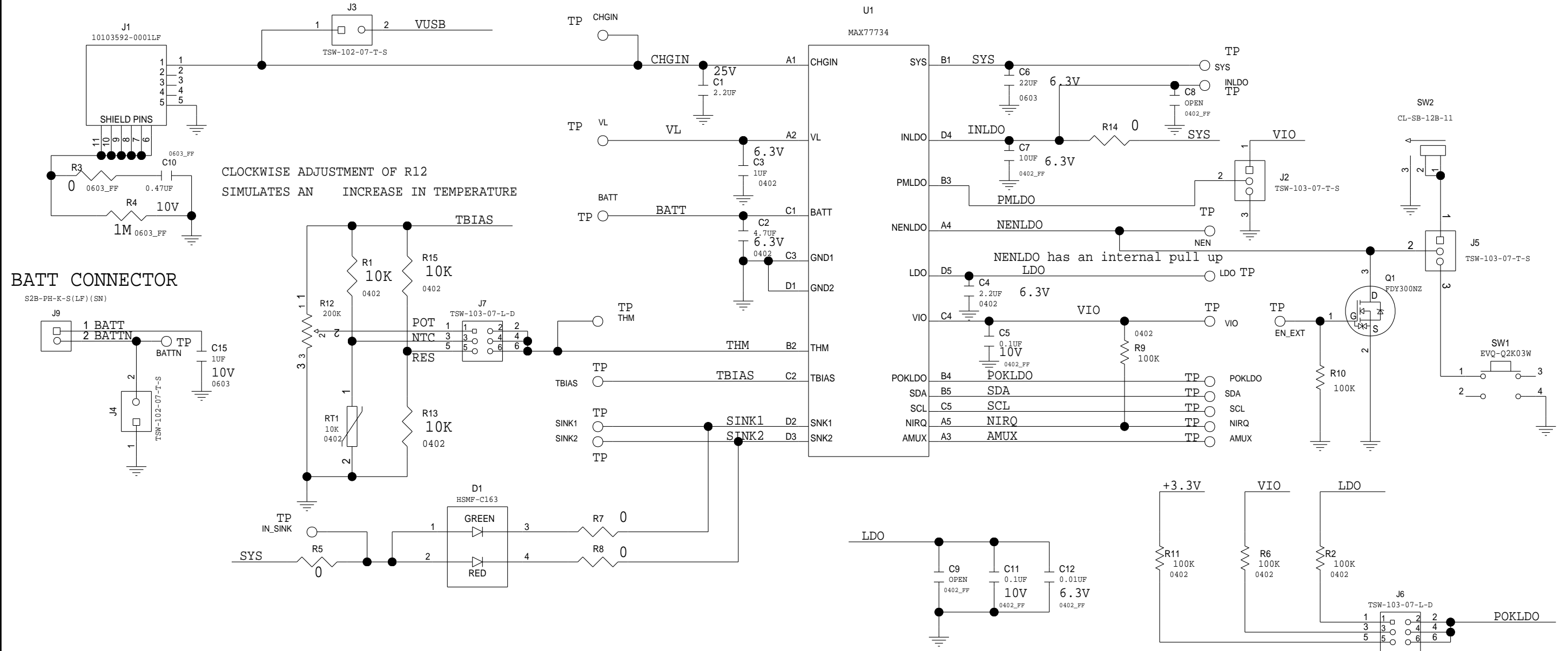
	8	7	6	5	4	3	2	1
	PART NUMBER	PIN STRAP	7-BIT	8-BIT WRITE	8-BIT READ			
D	MAX77734 (PMIC)	ADDR OTP BIT = 0	0x40 0b100 0000	0x80 0b1000 0000	0x81 0b1000 0001			
	MAX77734 (PMIC)	ADDR OTP BIT = 1	0x48 0b100 0000	0x90 0b1001 0000	0x91 0b1001 0001			
c	MAX11644 (ADC)	N/A	0x36 0b011 0110	0x6C 0b0110 1100	0x6D 0b0110 1101			
	MAX5805 (DAC)	ADDR PIN = GND	0x18 0b001 1000	0x30 0b0011 0000 0x32 *** 0b0011 0010	0x31 0b0011 0001			
B	24AA02 (EEPROM)	N/A	0x50 TO 0x57 0b101 0xxx	0xA0...0xAE 0b1010 xxx0	0xA1...0xAF 0b1010 xxx1			

*** MAX5805 also responds to Broadcast Address 0b0011 0010(8-bit)



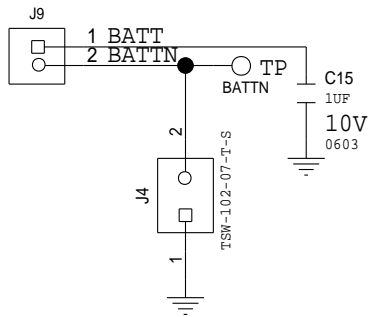
PROJECT TITLE: MAX77734 EVALUATION KIT		
DRAWING TITLE:		
SIZE B	HARDWARE NUMBER: <HARDWARE_NUMBER>	DATE: 05/10/2017
ENGINEER: ERIC RULE	DRAWN BY: LAKSHMI BHUJ	REV: REVB
	TEMPLATE REV: 1.5	SHEET 1 OF 4

If J3 is installed, make sure to not power CHGIN with an external supply

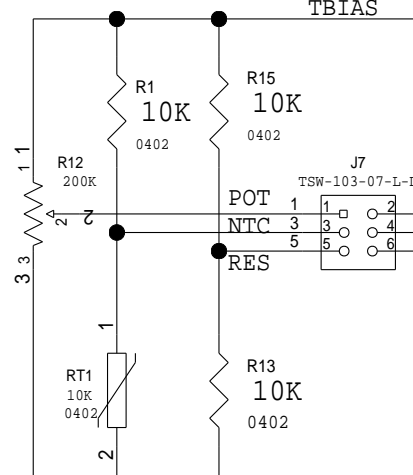


BATT CONNECTOR

S2B-PH-K-S(LF) (SN)

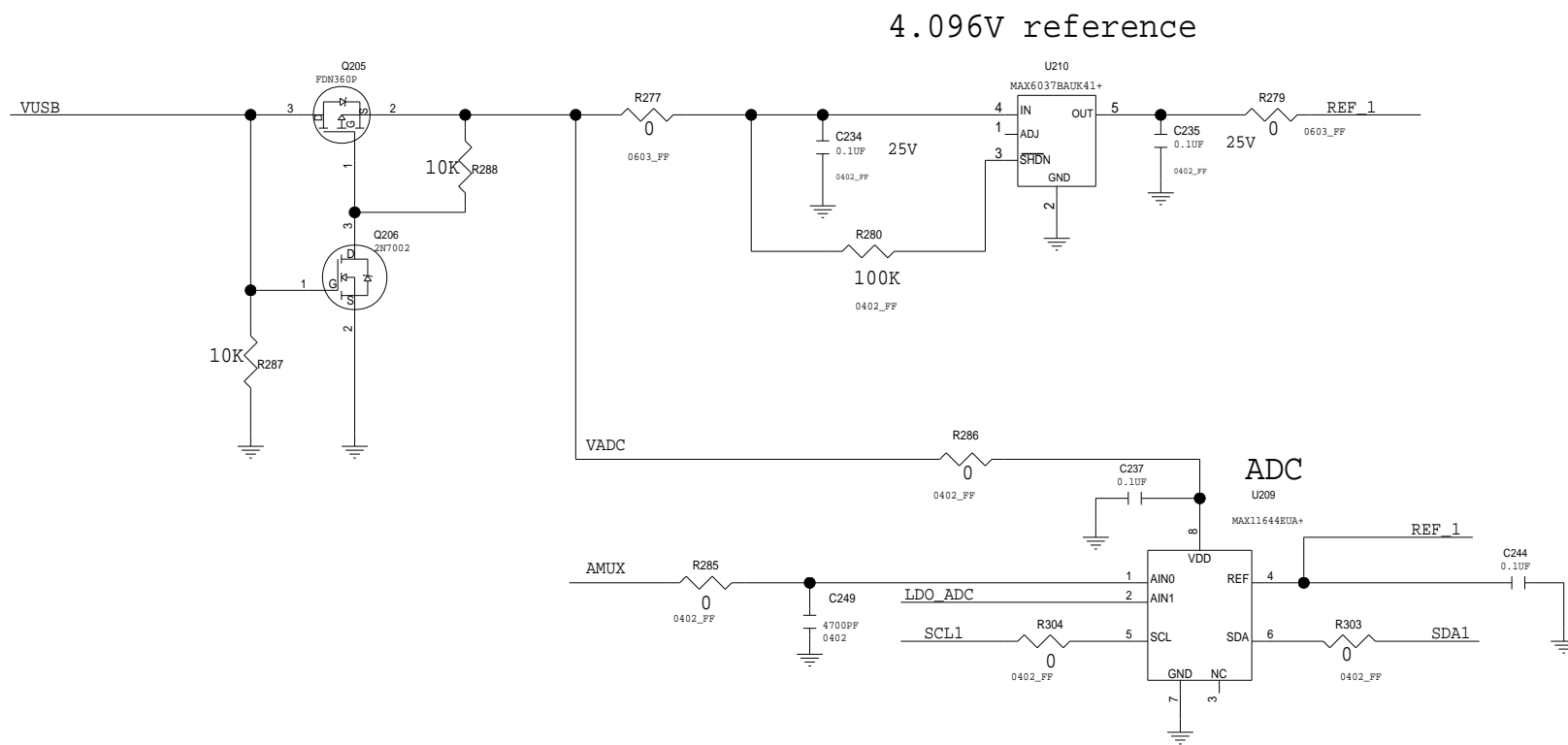
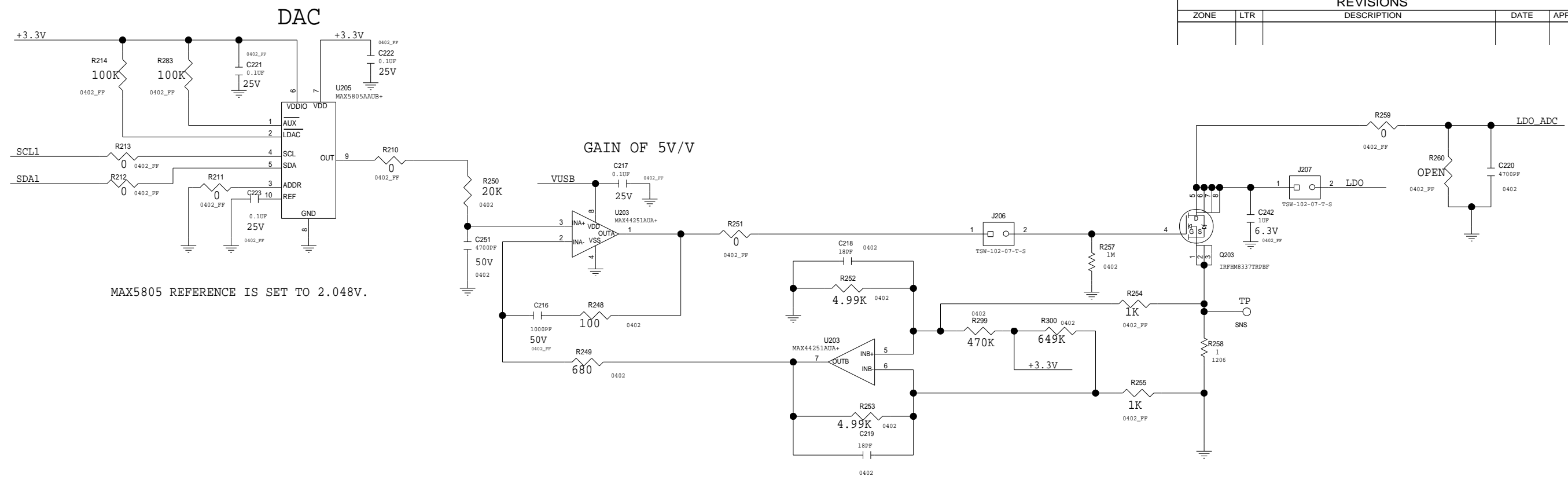


CLOCKWISE ADJUSTMENT OF R12
SIMULATES AN INCREASE IN TEMPERATURE



PROJECT TITLE: MAX77734 EVALUATION KIT		
DRAWING TITLE:		
SIZE B	HARDWARE NUMBER: <HARDWARE_NUMBER>	DATE: 05/10/2017
ENGINEER: ERIC RULE	DRAWN BY: LAKSHMI BHUJ	REV: REVB
TEMPLATE REV: 1.5		SHEET 2 OF 4

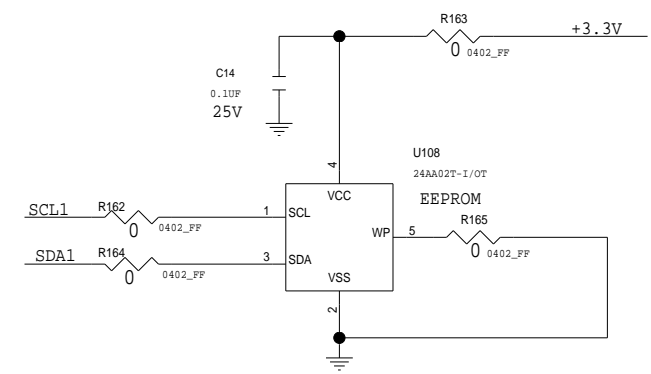
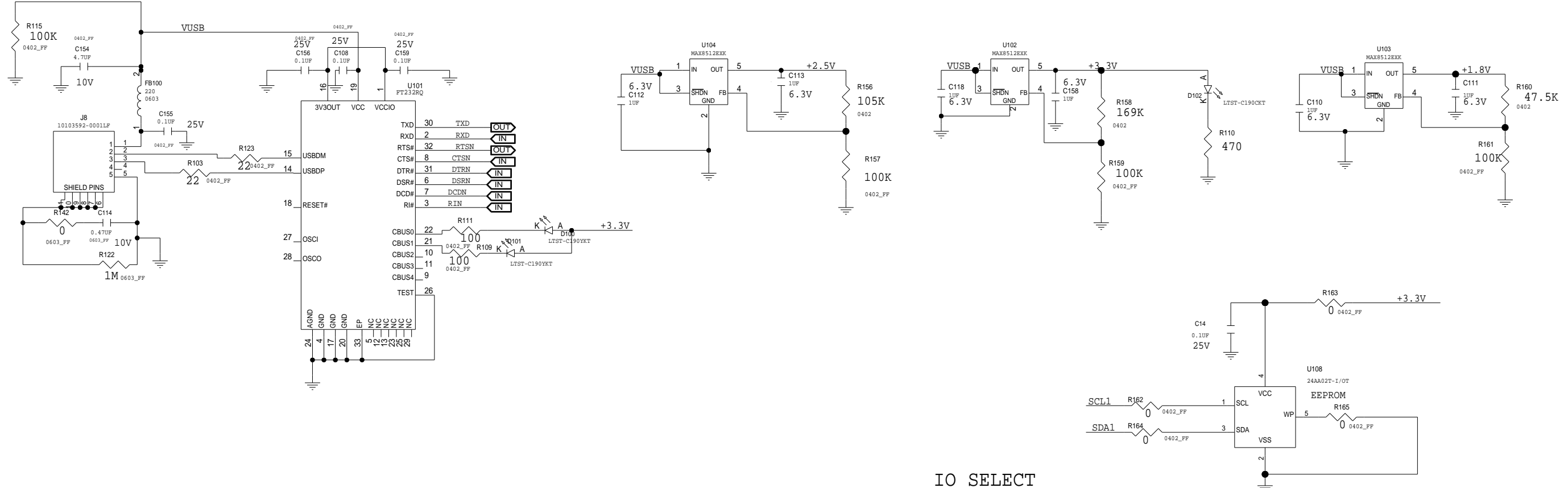
REVISIONS				
ZONE	LTR	DESCRIPTION	DATE	APPR.



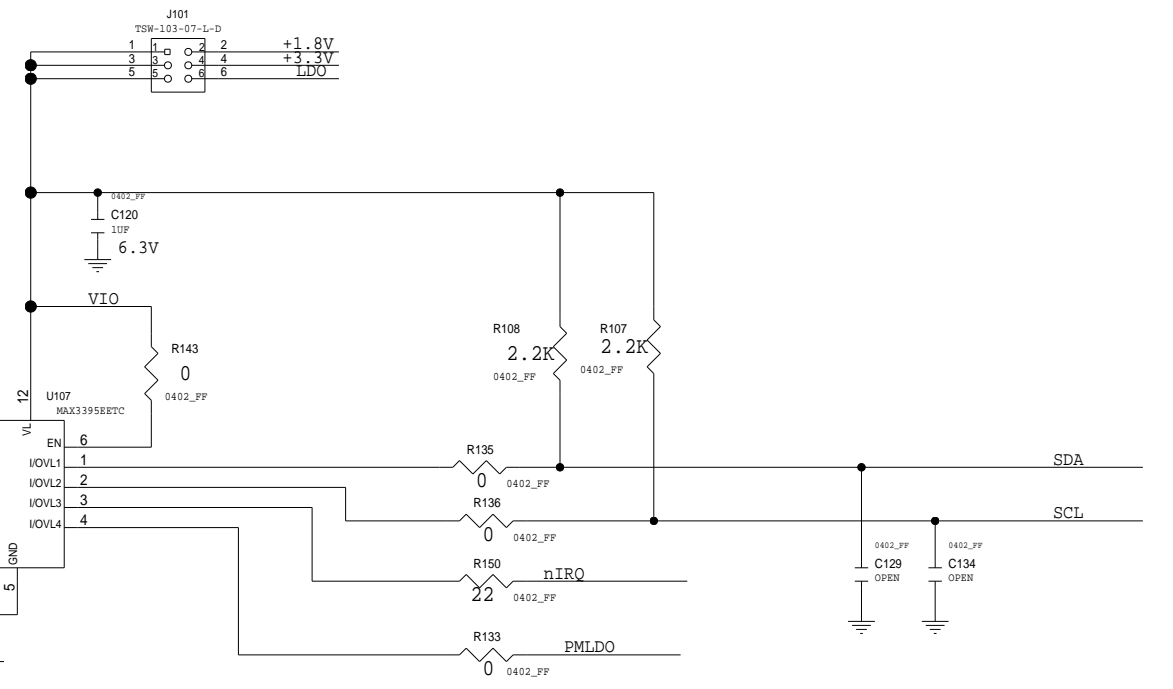
THIS DOCUMENT CONTAINS INFORMATION PROPRIETARY TO MAXIM USE OR DISCLOSURE WITHOUT THE WRITTEN PERMISSION OF AN OFFICER OF MAXIM IS EXPRESSLY FORBIDDEN.

PROJECT TITLE: MAX77734 EVALUATION KIT		
DRAWING TITLE:		
SIZE: C	HARDWARE NUMBER: <HARDWARE_NUMBER>	DATE: 05/10/2017
ENGINEER: ERIC RULE	DRAWN BY: LAKSHMI BHUJ	REV.: RBVB
	TEMPLATE REV.: 1.5	SHEET 3 OF 4

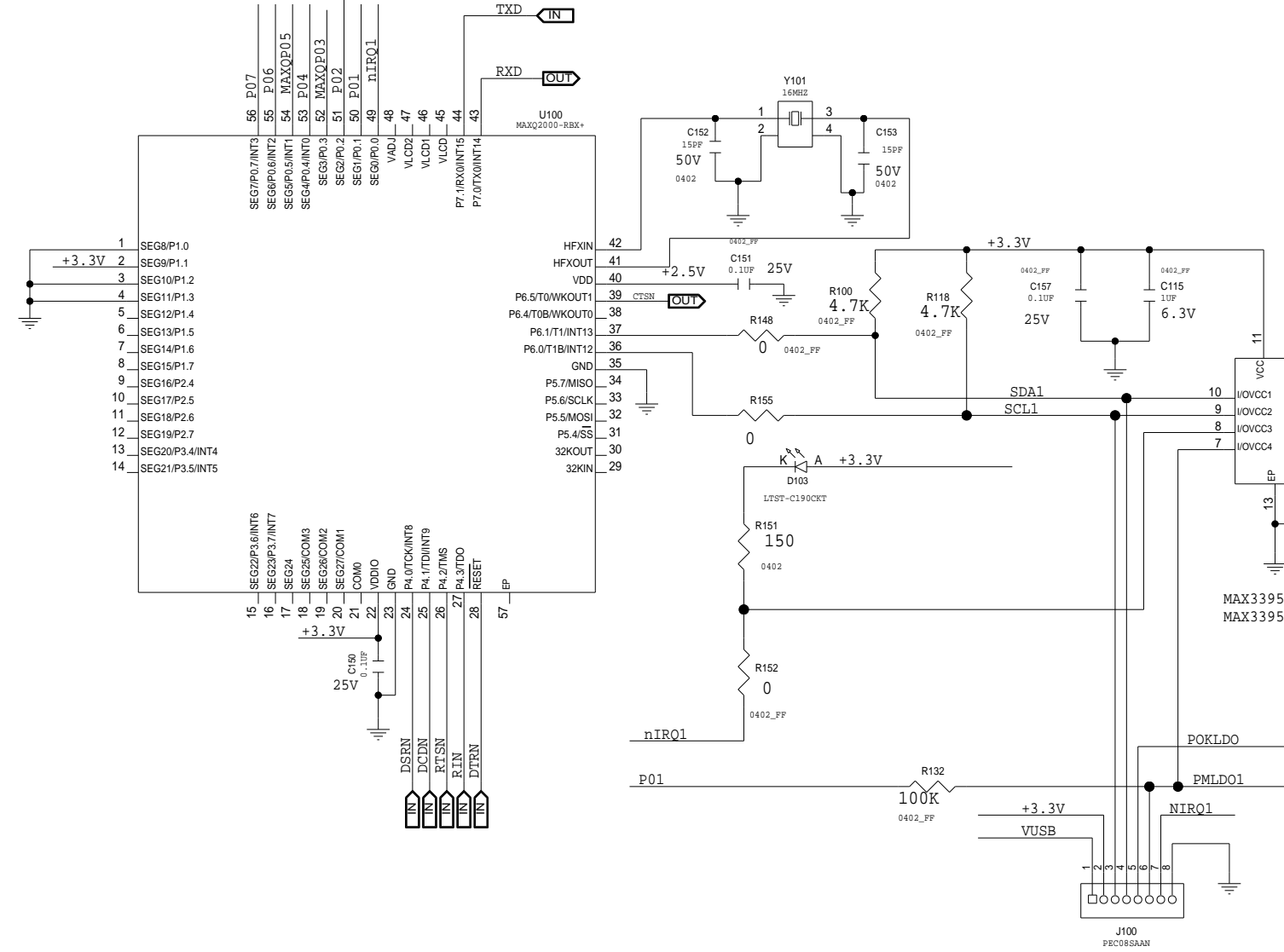
REVISIONS				
ZONE	LTR	DESCRIPTION	DATE	APPR.



IO SELECT



MAX3395 I/OVLx pins have internal 10K pull-up resistors to VL.
MAX3395 I/OVCCx pins have internal pull-up resistors to VCC.



PROJECT TITLE: MAX77734 EVALUATION KIT		
DRAWING TITLE:		
SIZE: C	HARDWARE NUMBER: <HARDWARE_NUMBER>	DATE: 05/10/2017
ENGINEER: ERIC RULE	DRAWN BY: LAKSHMI BHUJ	REV.: RBVB
	TEMPLATE REV.: 1.5	SHEET 4 OF 4

THIS DOCUMENT CONTAINS INFORMATION PROPRIETARY TO MAXIM USE OR DISCLOSURE WITHOUT THE WRITTEN PERMISSION OF AN OFFICER OF MAXIM IS EXPRESSLY FORBIDDEN.