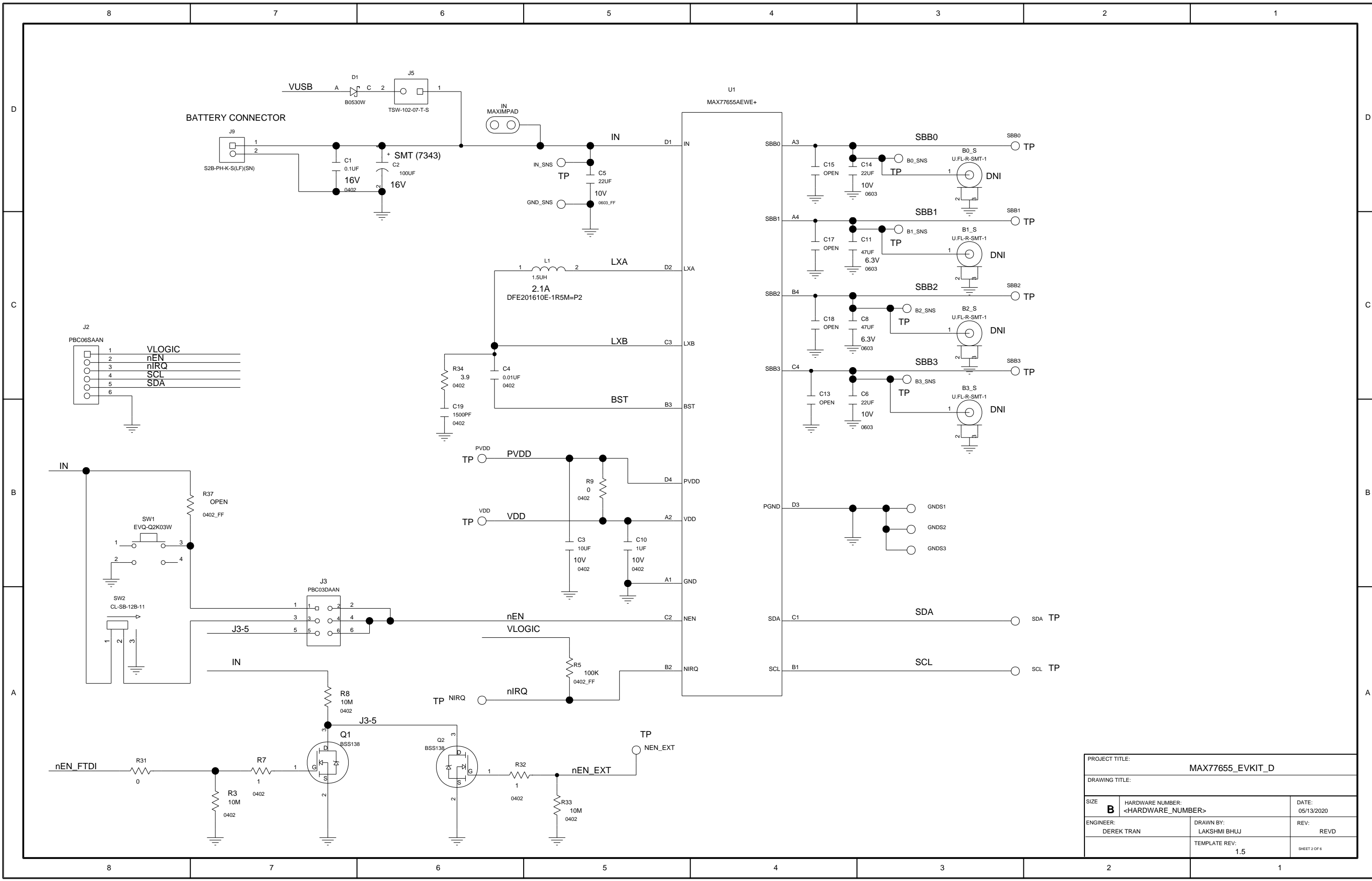


8	7	6	5	4	3	2	1
Part Number	Configuration		7-bit	8-bit Write		8-bit Read	
MAX77655 (PMIC)	ADDR[1:0] OTP Bitfield		0x40,0x44,0x48 OR 0x52 0b100 xxx0	0x80,0x88,0x90 OR 0xA4 0b100x xx00		0x81,0x89,0x91 OR 0xA5 0b100x xx01	
MAX77655 (PMIC)	Maxim internal test mode		0x49 0b100 1001	0x92 0b1001 0010		0x93 0b1001 0011	
MAX11614 (ADC)	N/A		0x33 0b011 0011	0x66 0b0110 0110		0x67 0b0110 0111	
MAX5825 (DAC)	ADDR1=ADDR0=VDDIO		0x1F 0b001 1111	0x3E 0b0011 1110 0x10 * 0b0010 1000		0x3F 0b0011 1111	
AT24CS02 (EEPROM)	A0=A1=A2=GND		0x50 ** 0b101 0000	0b1010 0000		0b1010 0001	

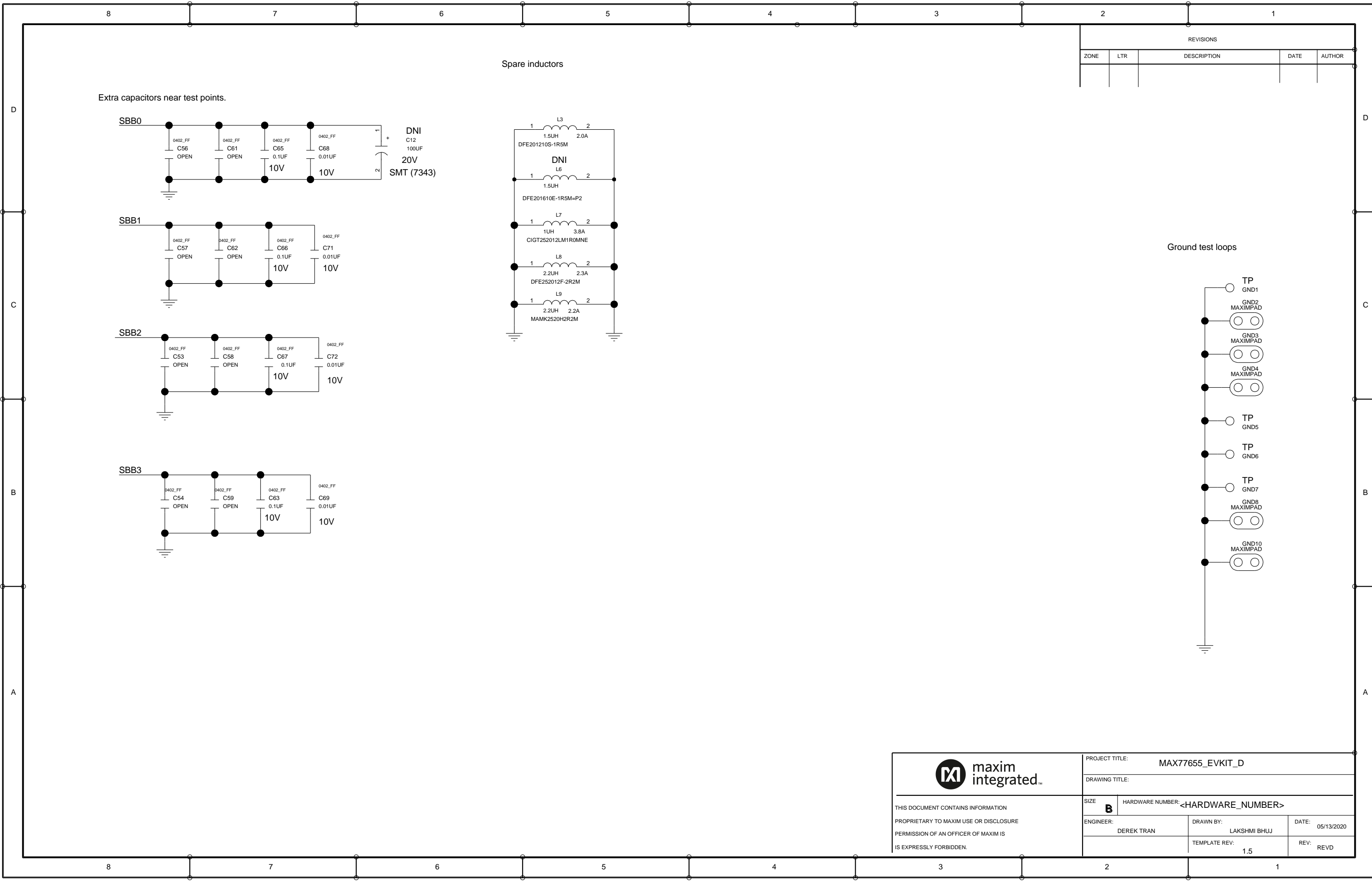
*MAX5825 ALSO RESPONDS TO AN I2C BROADCAST ADDRESS 0b0010 1000

**AT24CS02 ALSO RESPONDS TO 0b1011 0001 FOR READING THE SERIAL NUMBER

PROJECT TITLE: MAX77655_EVKIT_D		
DRAWING TITLE:		
SIZE B	HARDWARE NUMBER: <HARDWARE_NUMBER>	DATE: 05/13/2020
ENGINEER: DEREK TRAN	DRAWN BY: LAKSHMI BHUJ	REV: REVD
	TEMPLATE REV: 1.5	SHEET 1 OF 6

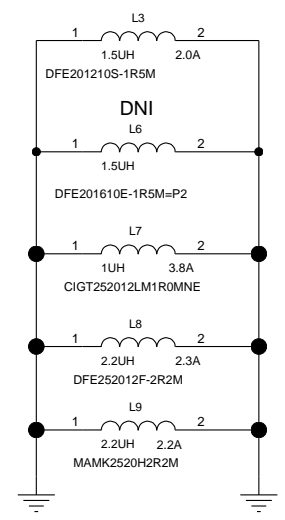


PROJECT TITLE:			MAX77655_EVKIT_D		
DRAWING TITLE:					
SIZE	HARDWARE NUMBER:	DATE:			
B	<HARDWARE_NUMBER>	05/13/2020			
ENGINEER:	DRAWN BY:	REV:			
DEREK TRAN	LAKSHMI BHUJ	REVD			
	TEMPLATE REV:	SHEET 2 OF 6			
	1.5				

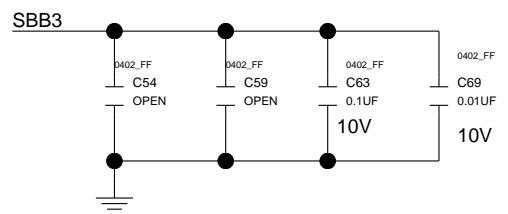
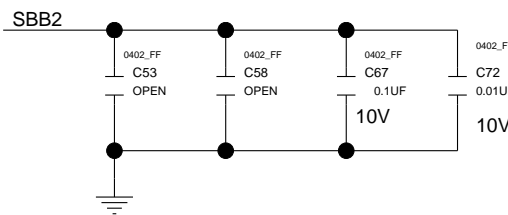
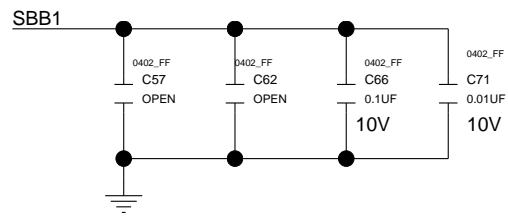
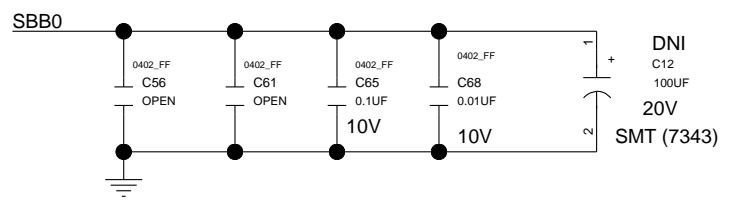


REVISIONS				
ZONE	LTR	DESCRIPTION	DATE	AUTHOR

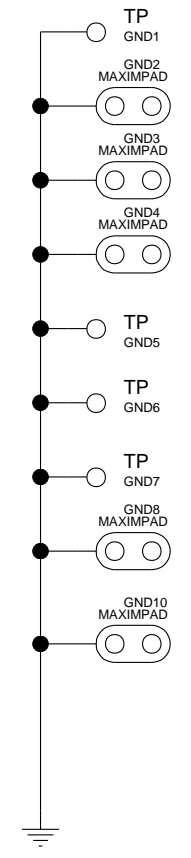
Spare inductors



Extra capacitors near test points.



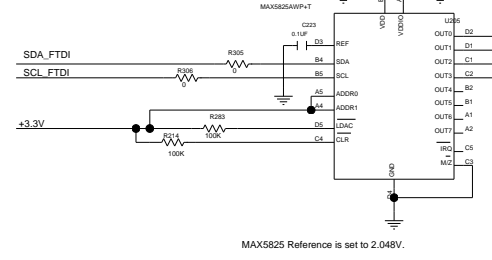
Ground test loops



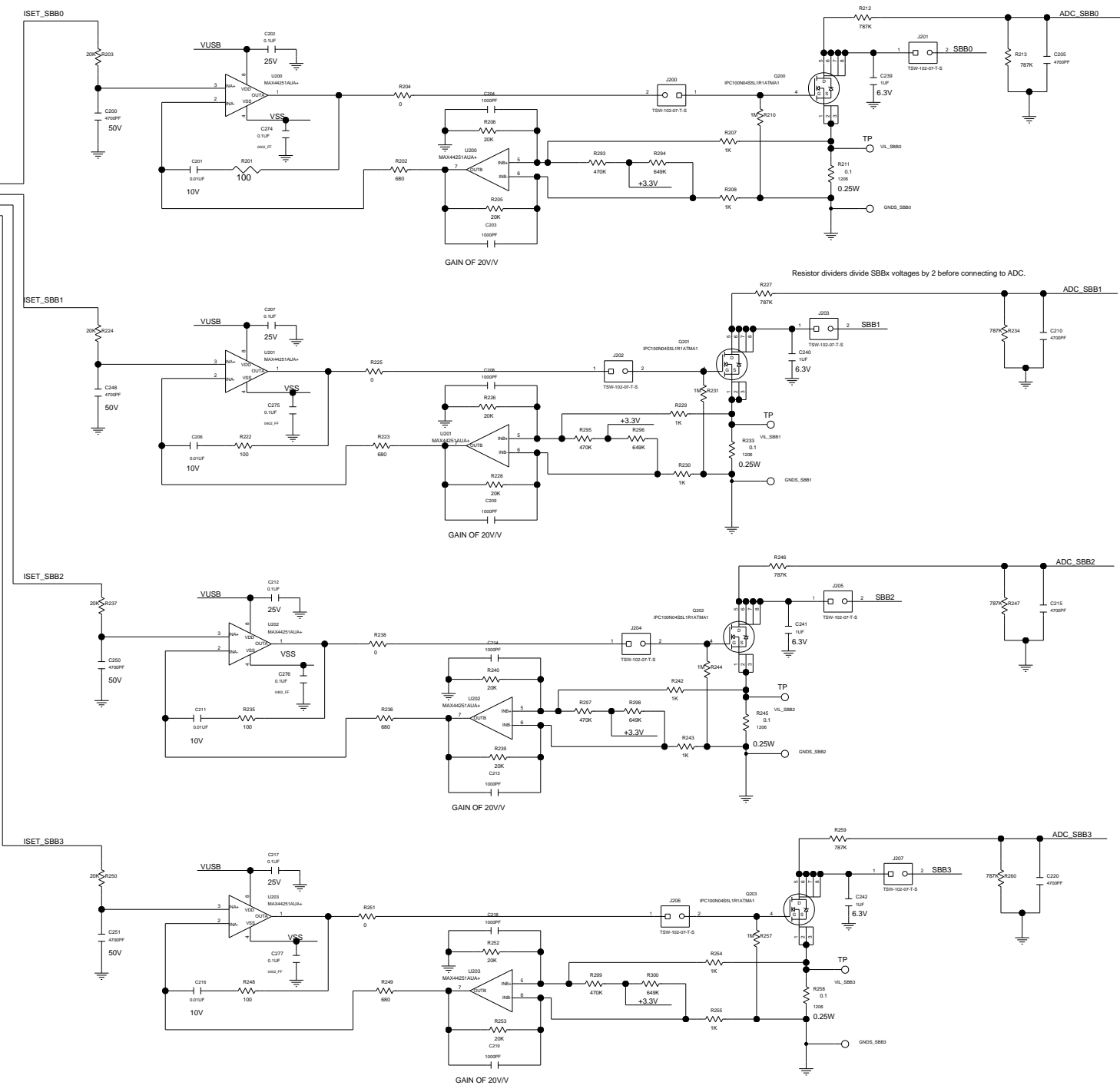
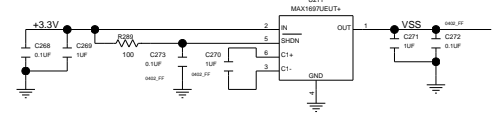
	PROJECT TITLE: MAX77655_EVKIT_D		
	DRAWING TITLE:		
THIS DOCUMENT CONTAINS INFORMATION PROPRIETARY TO MAXIM USE OR DISCLOSURE PERMISSION OF AN OFFICER OF MAXIM IS IS EXPRESSLY FORBIDDEN.	SIZE: B	HARDWARE NUMBER: <HARDWARE_NUMBER>	
	ENGINEER: DEREK TRAN	DRAWN BY: LAKSHMI BHUJ	DATE: 05/13/2020
		TEMPLATE REV: 1.5	REV: REVD

REVISIONS				
ZONE	LTR	DESCRIPTION	DATE	AUTHOR

Digital to Analog Converter

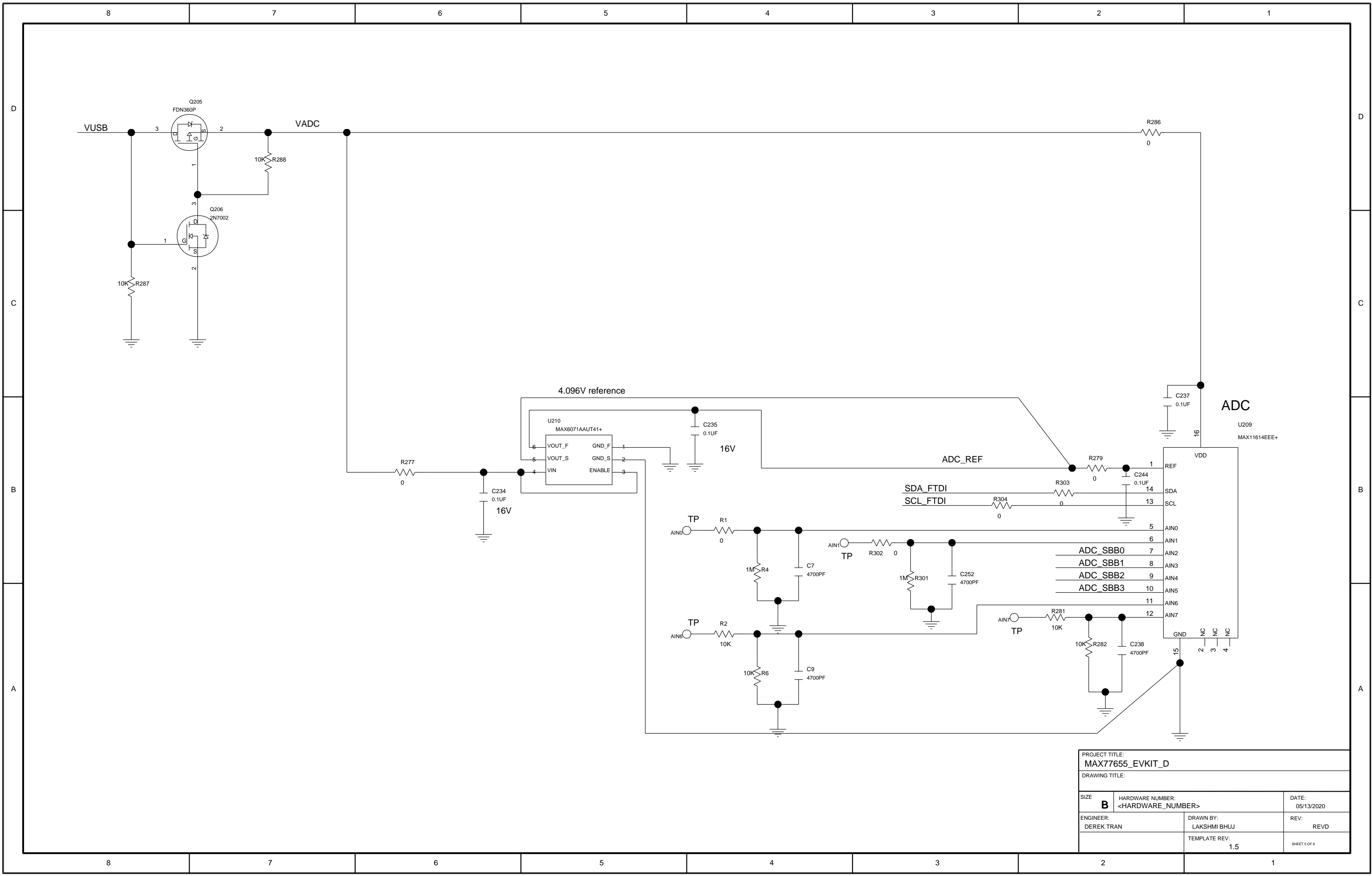


Amplifier Vss Supply



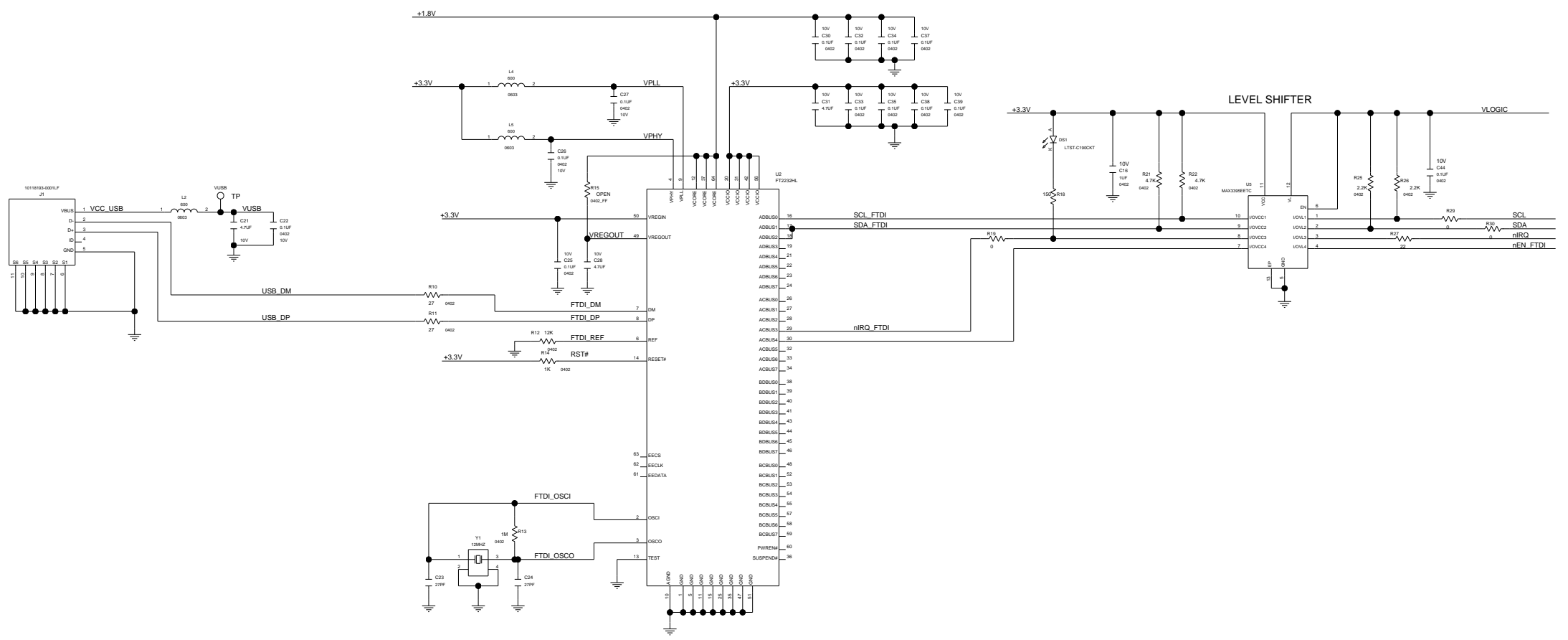
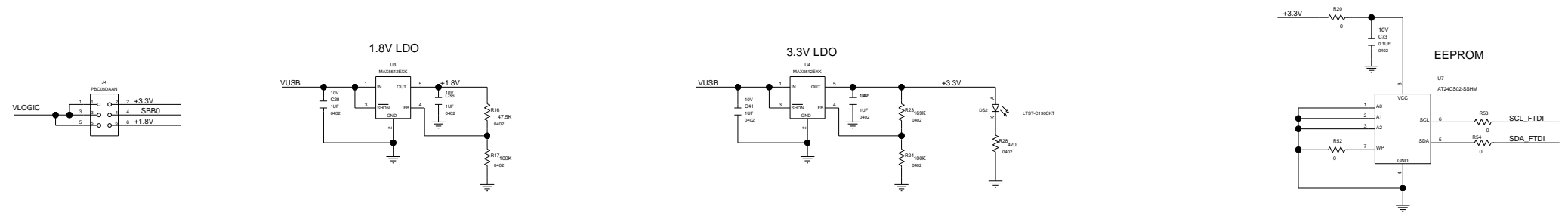
THIS DOCUMENT CONTAINS INFORMATION PROPRIETARY TO MAXIM USE OR DISCLOSURE WITHOUT THE WRITTEN PERMISSION OF AN OFFICER OF MAXIM IS EXPRESSLY FORBIDDEN

PROJECT TITLE: MAX77655_EVKIT_D	
DRAWING TITLE: Electronic_Loads	
SIZE: D	HARDWARE NUMBER: <HARDWARE_NUMBER>
ENGINEER: DEREK TRAN	DATE: 05/13/2020
DRAWN BY: LAKSHMI BHUJ	REV: REVD
TEMPLATE REV: 1.5	SHEET 4 OF 6



PROJECT TITLE: MAX77655_EVKIT_D		
DRAWING TITLE:		
SIZE B	HARDWARE NUMBER: <HARDWARE_NUMBER>	DATE: 05/13/2020
ENGINEER: DEREK TRAN	DRAWN BY: LAKSHMI BHUJ	REV: REVD
	TEMPLATE REV: 1.5	SHEET 5 OF 6

REVISIONS				
ZONE	LTR	DESCRIPTION	DATE	AUTHOR



	PROJECT TITLE: MAX77655_EVKIT_D		
	DRAWING TITLE: FTDI		
SIZE: D THIS DOCUMENT CONTAINS INFORMATION PROPRIETARY TO MAXIM USE OR DISCLOSURE WITHOUT THE WRITTEN PERMISSION OF AN OFFICER OF MAXIM IS EXPRESSLY FORBIDDEN.	HARDWARE NUMBER: <HARDWARE_NUMBER>	DATE: 05/13/2020	REV: REVD
ENGINEER: DEREK TRAN	DRAWN BY: LAKSHMI BHUJ	TEMPLATE REV: 1.5	SHEET 6 OF 6