

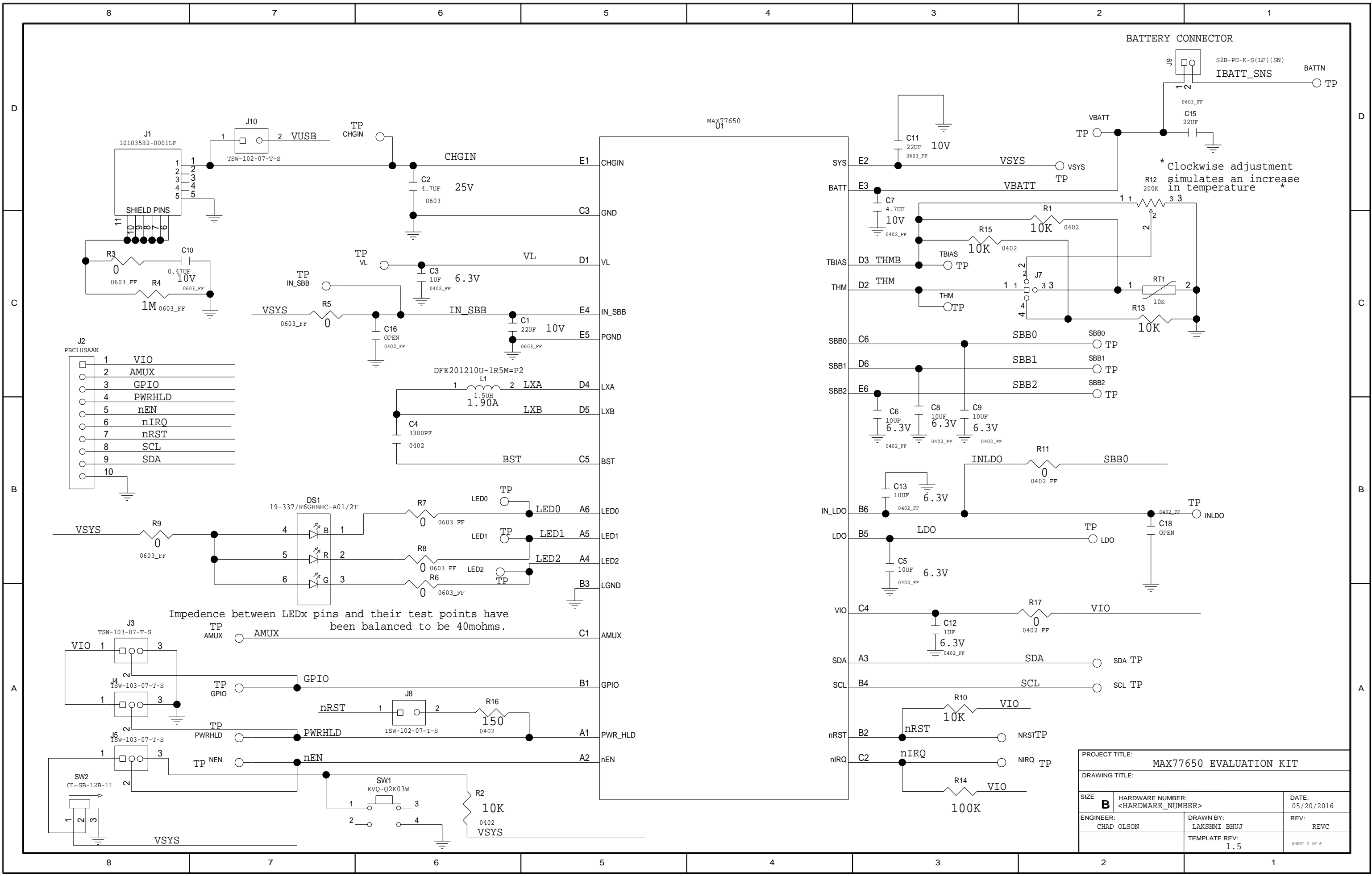
8 7 6 5 4 3 2 1

Part Number	Configuration	7-bit	8-bit Write	8-bit Read
MAX77650 (PMIC)	ADDR OTP bit set for 0	0x40 0b100 0000	0x80 0b1000 0000	0x81 0b1000 0001
MAX77650 (PMIC)	ADDR OTP bit set for 1	0x48 0b100 1000	0x90 0b1001 0000	0x91 0b1001 0001
MAX77650 (PMIC)	Maxim internal test mode	0x49 0b100 1001	0x92 0b1001 0010	0x93 0b1001 0011
MAX11614 (ADC)	N/A	0x33 0b011 0011	0x66 0b0110 0110	0x67 0b0110 0111
MAX5815 (DAC)	ADDR1=ADDR0=GND	0x1F 0b001 1111	0x3E 0b0011 1110 0x10* 0b0001 0000	0x3F 0b0011 1111
24AA02 (EEPROM)	N/A	0x50 to 0x57 0b1010xxx	0b1010xxx0	0b1010xxx1

*MAX5815 ALSO RESPONDS TO AN I2C BROADCAST ADDRESS 0b0001 0000

PROJECT TITLE: MAX77650 EVALUATION KIT		
DRAWING TITLE:		
SIZE B	HARDWARE NUMBER: <HARDWARE_NUMBER>	DATE: 05/20/2016
ENGINEER: CHAD OLSON	DRAWN BY: LAKSHMI BHUJ	REV: REVC
	TEMPLATE REV: 1.5	SHEET 1 OF 6

8 7 6 5 4 3 2 1

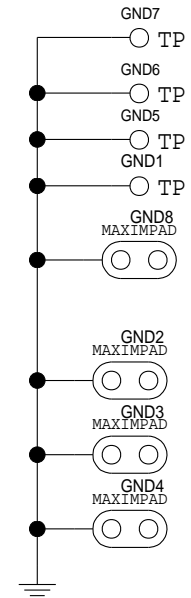
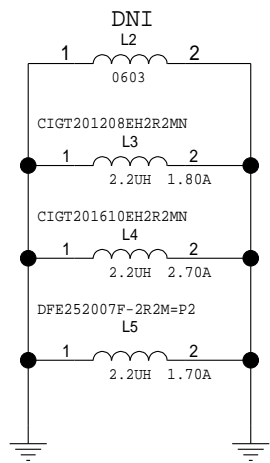
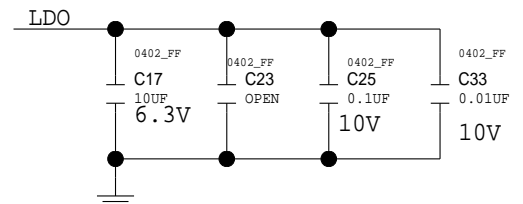
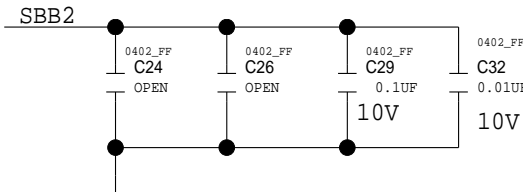
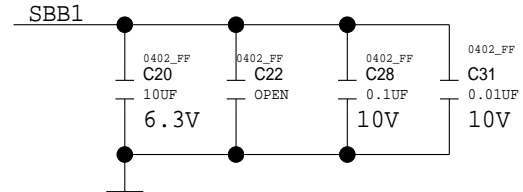
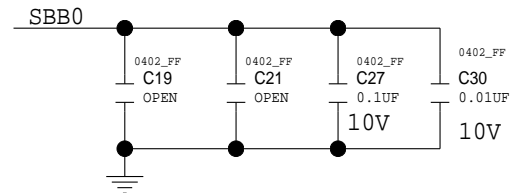


Impedance between LEDx pins and their test points have been balanced to be 40mohms.

* Clockwise adjustment simulates an increase in temperature *

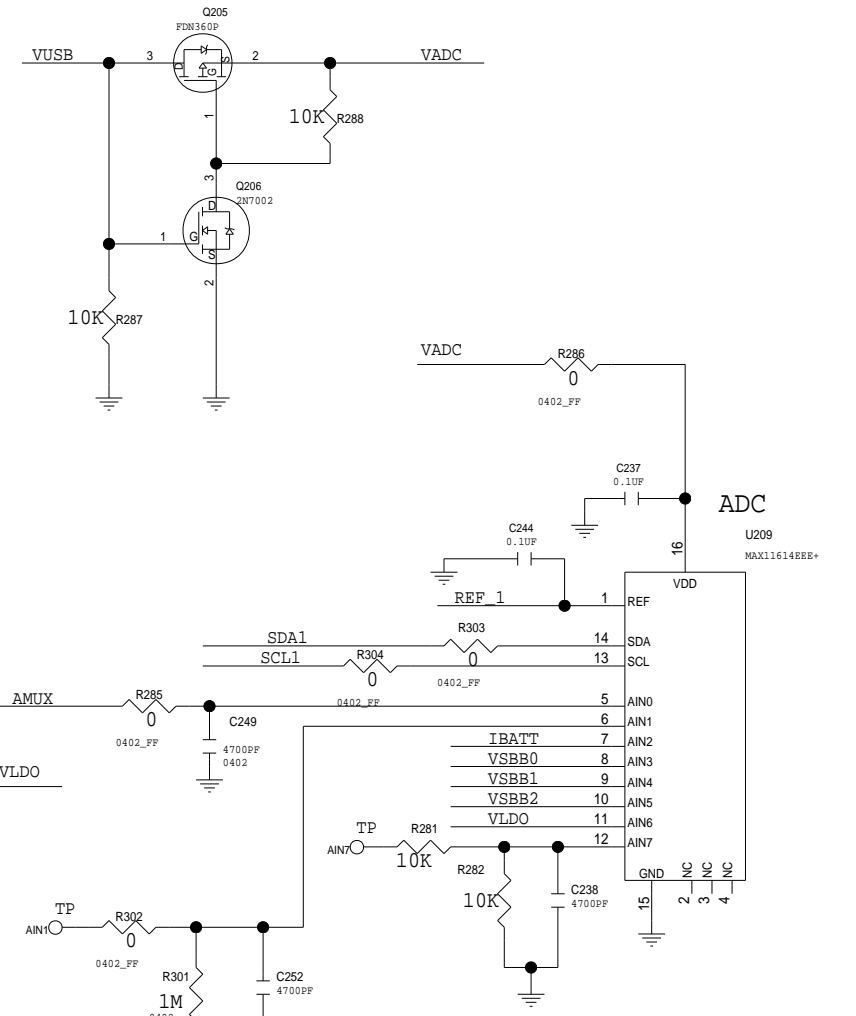
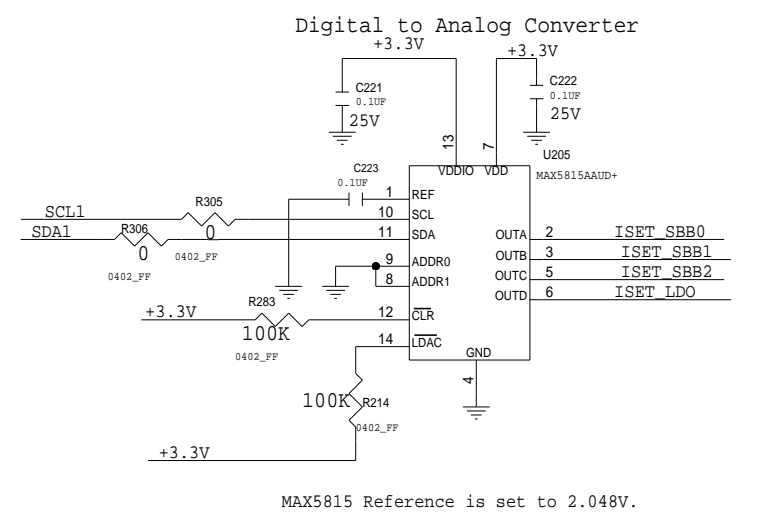
PROJECT TITLE:		
MAX77650 EVALUATION KIT		
DRAWING TITLE:		
SIZE	HARDWARE NUMBER:	DATE:
B	<HARDWARE_NUMBER>	05/20/2016
ENGINEER:	DRAWN BY:	REV:
CHAD OLSON	LAKSHMI BHUJ	REVC
TEMPLATE REV:		SHEET 2 OF 6
1.5		

REVISIONS				
ZONE	LTR	DESCRIPTION	DATE	AUTHOR



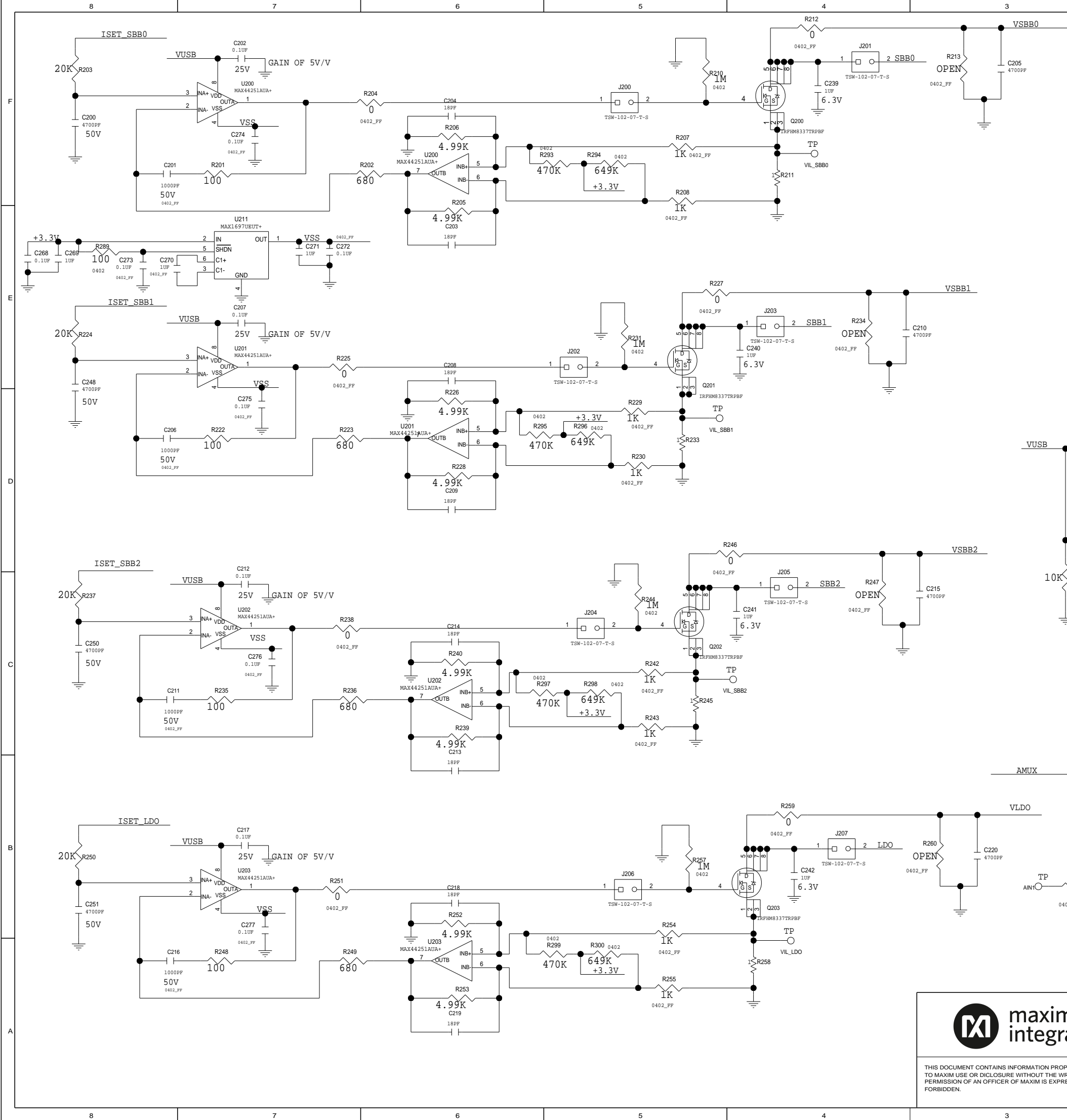
	PROJECT TITLE: MAX77650 EVALUATION KIT		
	DRAWING TITLE:		
THIS DOCUMENT CONTAINS INFORMATION PROPRIETARY TO MAXIM USE OR DISCLOSURE PERMISSION OF AN OFFICER OF MAXIM IS IS EXPRESSLY FORBIDDEN.	SIZE: B	HARDWARE NUMBER: <HARDWARE_NUMBER>	
	ENGINEER: CHAD OLSON	DRAWN BY: LAKSHMI BHUJ	DATE: 05/20/2016
		TEMPLATE REV: 1.5	REV: REVC

REVISIONS				
ZONE	LTR	DESCRIPTION	DATE	APPR.

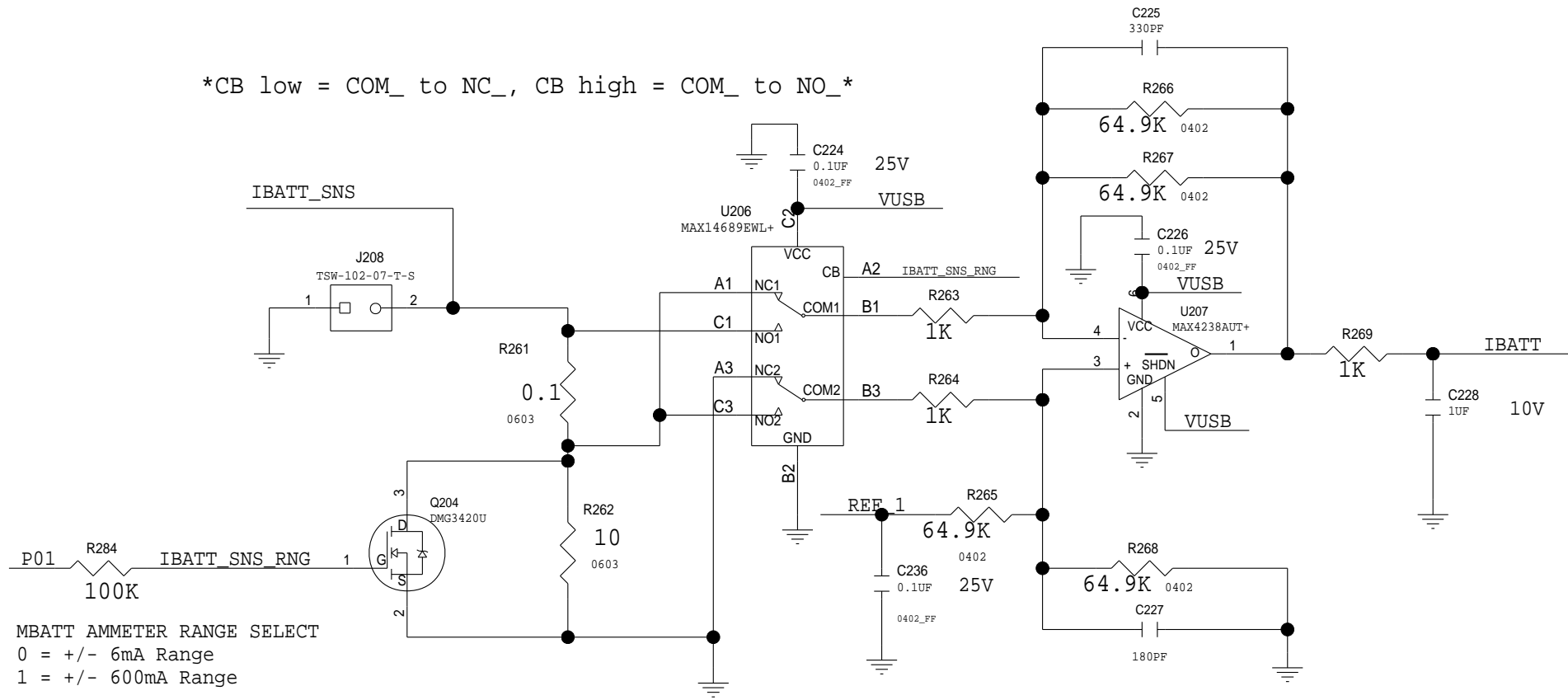


THIS DOCUMENT CONTAINS INFORMATION PROPRIETARY TO MAXIM USE OR DISCLOSURE WITHOUT THE WRITTEN PERMISSION OF AN OFFICER OF MAXIM IS EXPRESSLY FORBIDDEN.

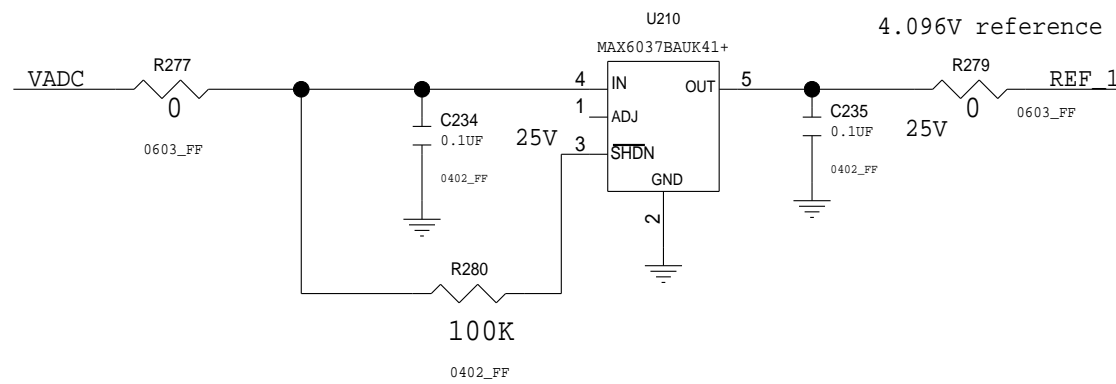
PROJECT TITLE: MAX77650 EVALUATION KIT		
DRAWING TITLE:		
SIZE: C	HARDWARE NUMBER: <HARDWARE_NUMBER>	DATE: 05/20/2016
ENGINEER: CHAD OLSON	DRAWN BY: LAKSHMI BHUJ	REV.: REVC
TEMPLATE REV.: 1.5		SHEET 4 OF 6



CB low = COM_ to NC_, CB high = COM_ to NO_

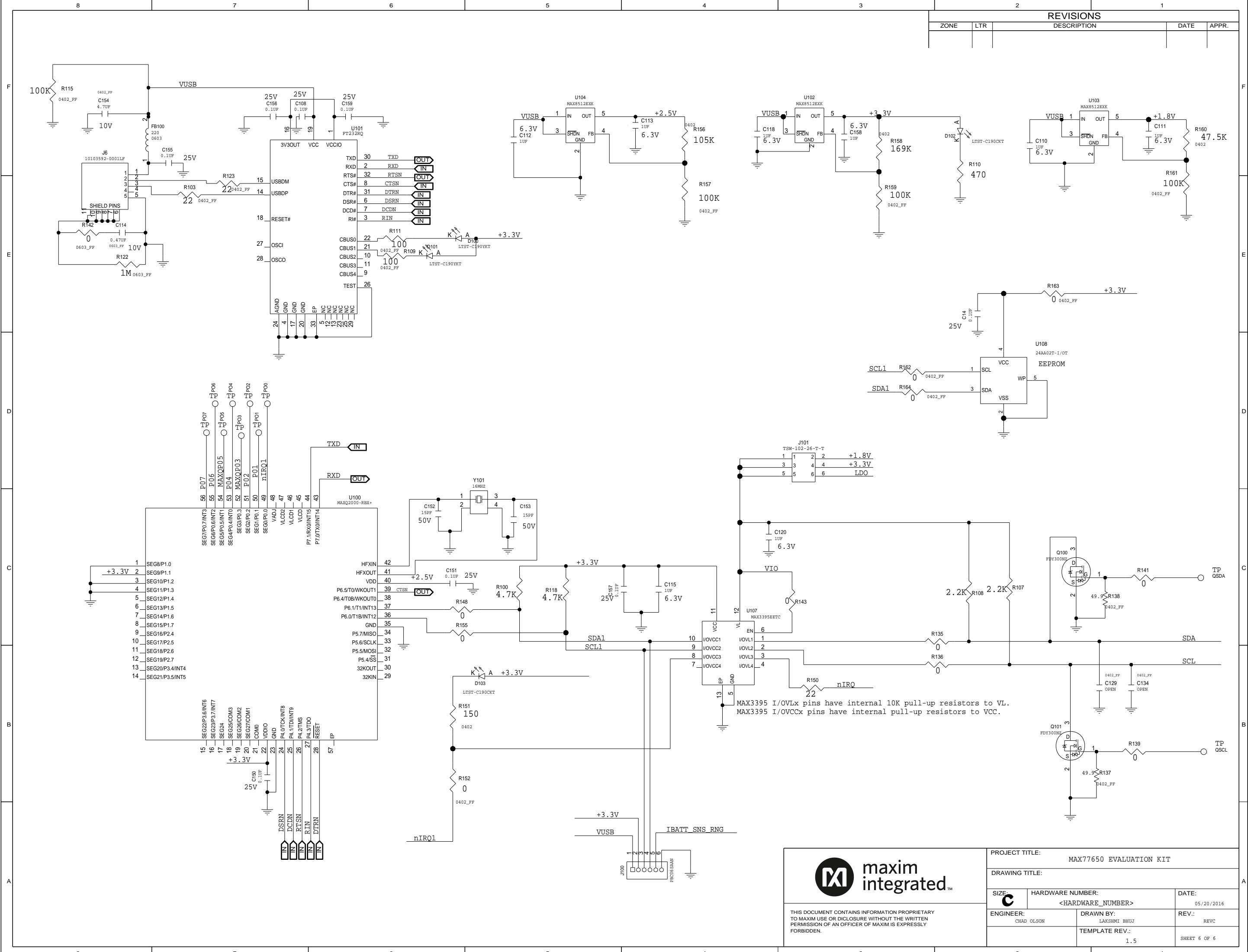


MBATT AMMETER RANGE SELECT
 0 = +/- 6mA Range
 1 = +/- 600mA Range



PROJECT TITLE: MAX77650 EVALUATION KIT		
DRAWING TITLE:		
SIZE B	HARDWARE NUMBER: <HARDWARE_NUMBER>	DATE: 05/20/2016
ENGINEER: CHAD OLSON	DRAWN BY: LAKSHMI BHUJ	REV: REVC
TEMPLATE REV: 1.5		SHEET 5 OF 6

REVISIONS				
ZONE	LTR	DESCRIPTION	DATE	APPR.



maxim integrated™

THIS DOCUMENT CONTAINS INFORMATION PROPRIETARY TO MAXIM USE OR DISCLOSURE WITHOUT THE WRITTEN PERMISSION OF AN OFFICER OF MAXIM IS EXPRESSLY FORBIDDEN.

PROJECT TITLE: MAX77650 EVALUATION KIT		
DRAWING TITLE:		
SIZE: C	HARDWARE NUMBER: <HARDWARE_NUMBER>	DATE: 05/20/2016
ENGINEER: CHAD OLSON	DRAWN BY: LAKSHMI BHUIJ	REV.: REV C
	TEMPLATE REV.: 1.5	SHEET 6 OF 6