

6

5

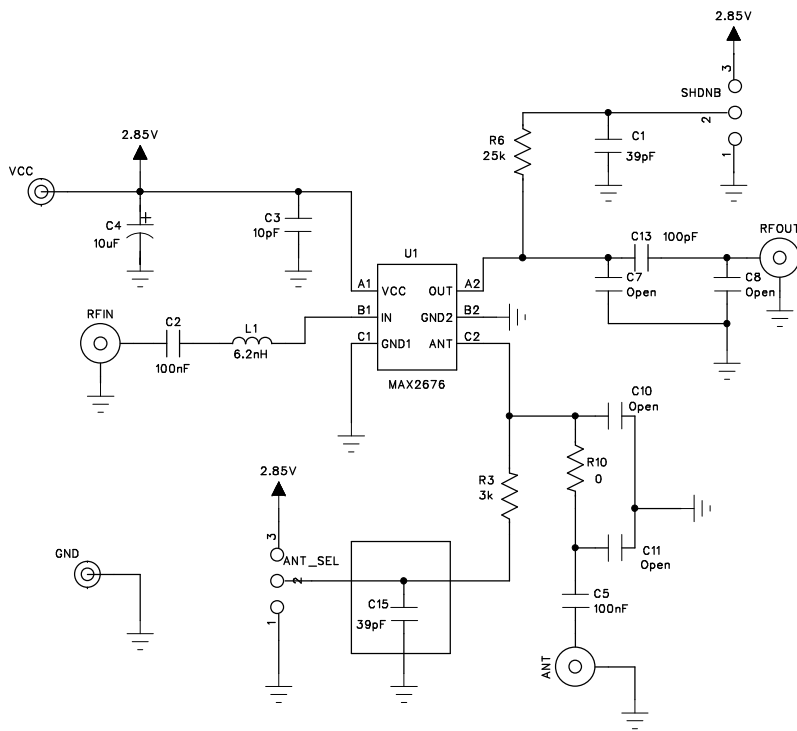
4

3

2

1

REVISION RECORD			
LTR	ECO NO:	APPROVED:	DATE:
A	INITIAL RELEASE		11/15/10



Note 1: 2D line circles the bottom side components.

COMPANY: <b>MAXIM</b>			
TITLE: MAX2676 Evaluation Kit CUSTOMER ENGINEERING VERSION			
CODE:	SIZE:	DRAWING NO:	REV:
	B	MAX2676	A
SCALE:			SHEET: 1 OF 1

Drawn by Juliana Lin	DATED: 11/15/10
CHECKED: Joel King	DATED: 11/15/10
QUALITY CONTROL:	DATED:
RELEASED:	DATED:

D

D

C

C

B

B

A

A