

6

5

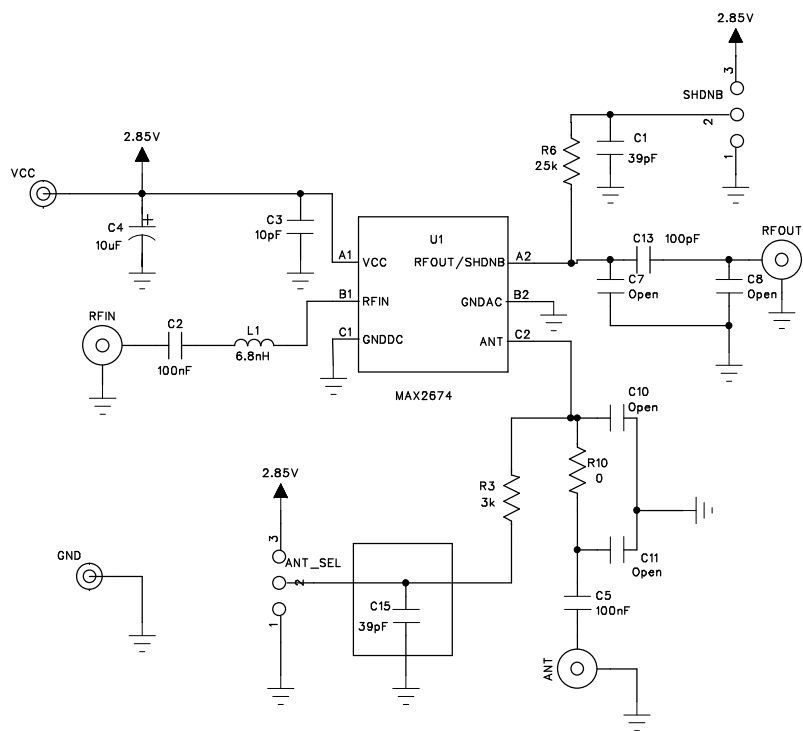
4

3

2

1

REVISION RECORD			
LTR	ECO NO:	APPROVED:	DATE:
A	INITIAL RELEASE		11/10/10



Note 1: 2D line circles the bottom side components.

COMPANY:			
MAXIM			
TITLE:			
MAX2674 Evaluation Kit CUSTOMER ENGINEERING VERSION			
CODE:	SIZE:	DRAWING NO:	REV:
	B	MAX2674	A
RELEASED:	DATED:	SCALE:	
		SHEET: 1 OF 1	

Drawn by Juliana Lin	DATED: 11/10/10
CHECKED: Joel King	DATED: 11/10/10
QUALITY CONTROL:	DATED:
RELEASED:	DATED:

D

D

C

C

B

B

A

A