

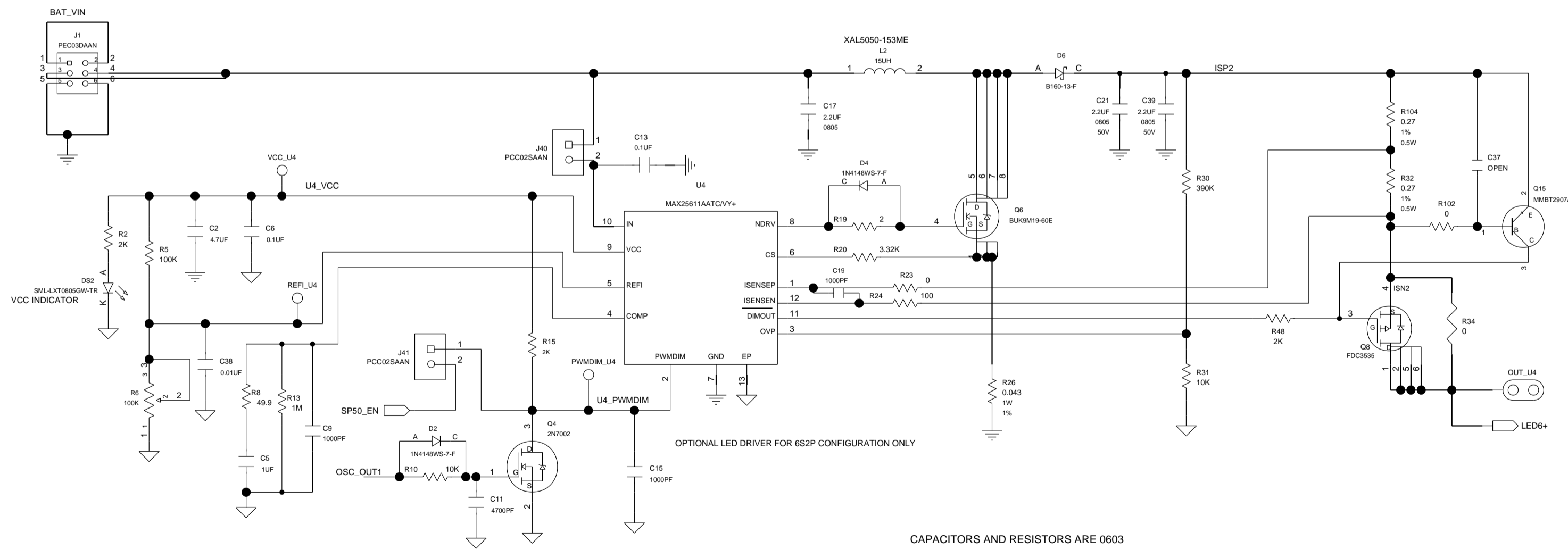
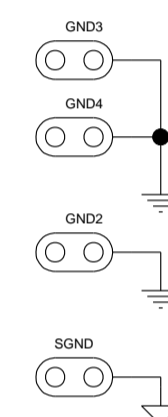
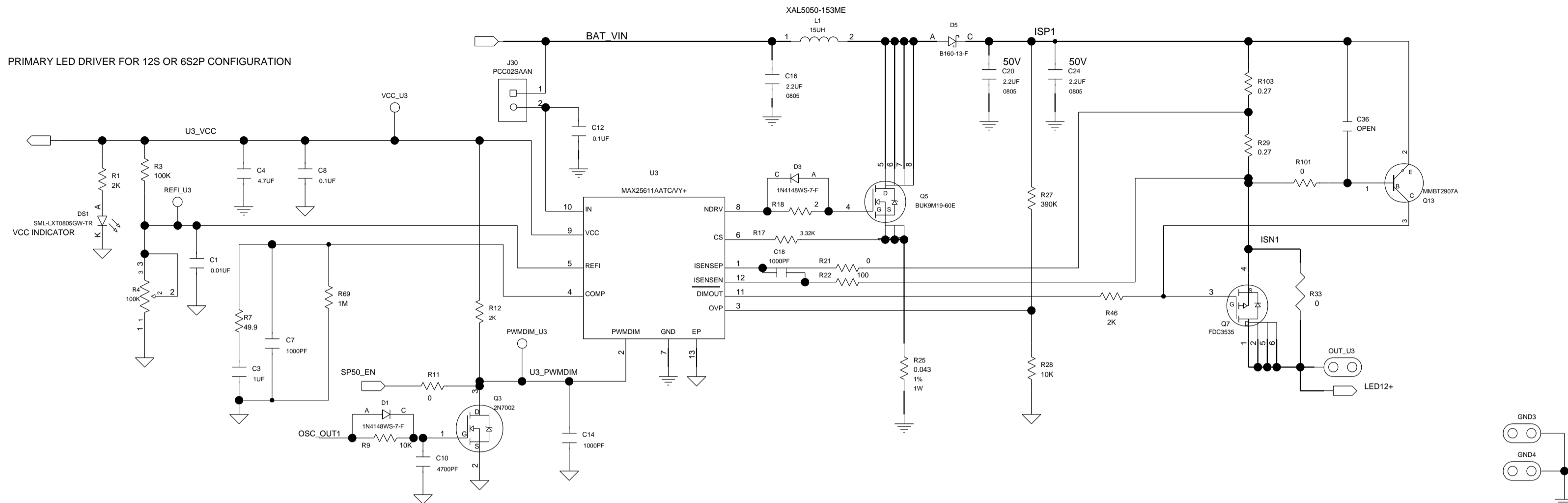
*OPTIONAL LDO FOR DEMO PURPOSE ONLY

*OPTIONAL 1.5HZ GENERATOR WITH 2 OPTIONS FOR CONTROL

OSC_OUT1 SWITCHES THE ENABLE AND PWMDIM PINS
OSC_OUT2 SWITCHES THE BATTERY POWER

PROJECT TITLE: MAX25605_EVKIT_A		
DRAWING TITLE:		
SIZE B	HARDWARE NUMBER: -	DATE: 06/17/2020
ENGINEER: -	DRAWN BY: -	REV: A
TEMPLATE REV: A		SHEET 1 OF 3

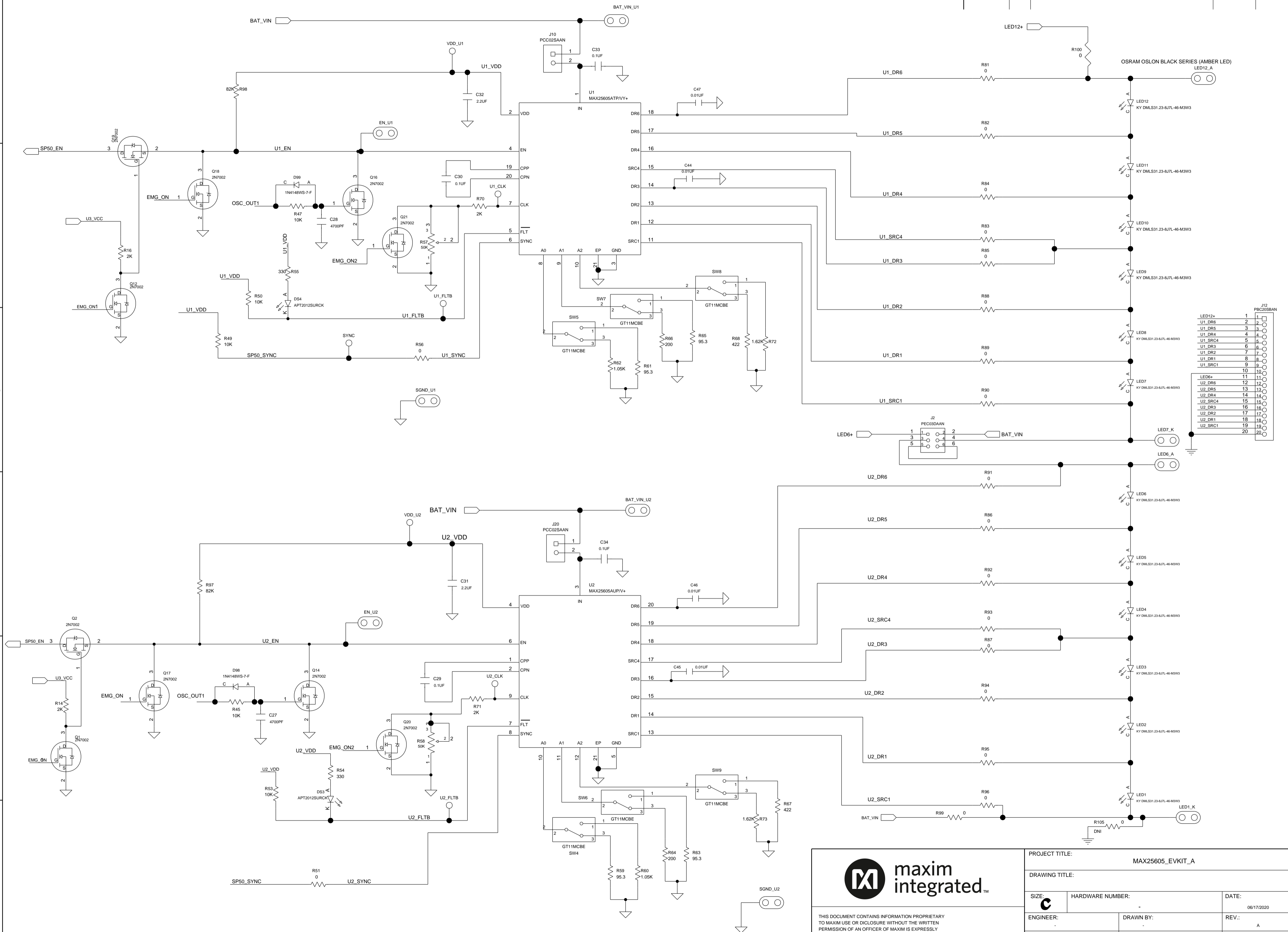
PRIMARY LED DRIVER FOR 12S OR 6S2P CONFIGURATION



CAPACITORS AND RESISTORS ARE 0603 SIZE UNLESS OTHERWISE NOTED.

PROJECT TITLE:			MAX25605_EVKIT_A		
DRAWING TITLE:					
SIZE:	HARDWARE NUMBER:		DATE:		
ENGINEER:	DRAWN BY:		REV.:		
TEMPLATE REV.:			SHEET 2 OF 3		

REVISIONS				
ZONE	LTR	DESCRIPTION	DATE	APPR.



J12	PBC205BAN
LED12+	1
U1_DR6	2
U1_DR5	3
U1_DR4	4
U1_SRC4	5
U1_DR3	6
U1_DR2	7
U1_DR1	8
U1_SRC1	9
	10
LED6+	11
U2_DR6	12
U2_DR5	13
U2_DR4	14
U2_SRC4	15
U2_DR3	16
U2_DR2	17
U2_DR1	18
U2_SRC1	19
	20



THIS DOCUMENT CONTAINS INFORMATION PROPRIETARY TO MAXIM USE OR DISCLOSURE WITHOUT THE WRITTEN PERMISSION OF AN OFFICER OF MAXIM IS EXPRESSLY FORBIDDEN.

PROJECT TITLE:		MAX25605_EVKIT_A	
DRAWING TITLE:			
SIZE:	HARDWARE NUMBER:	DATE:	
C		06/17/2020	
ENGINEER:	DRAWN BY:	REV.:	
		A	
TEMPLATE REV.:		SHEET 3 OF 3	
A			