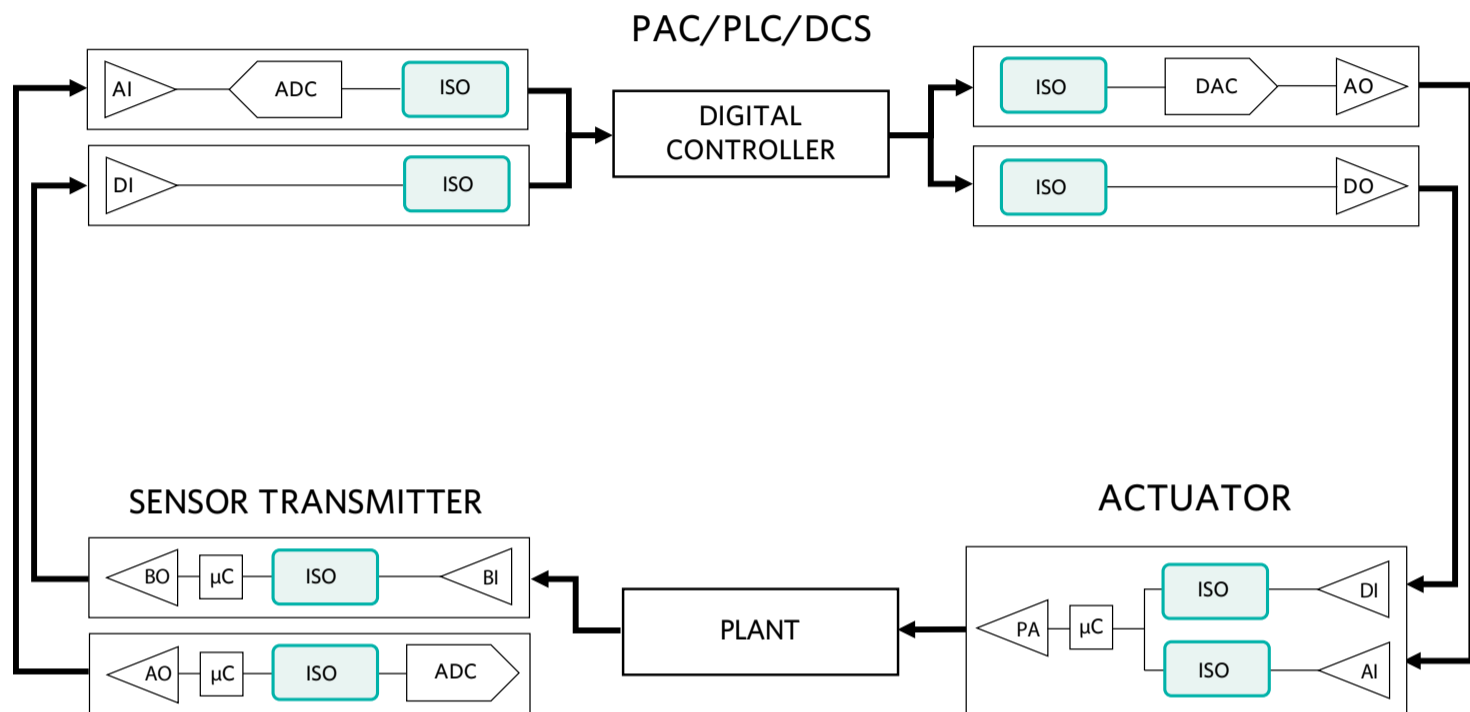


## DESCRIPTION

Our low-power, high-speed, high-voltage digital isolators provide robust and reliable isolation across a wide -40°C to +125°C temperature range and a 1.7V to 5.5V voltage range.



## FAST 4-CHANNEL ISOLATORS

The fast four-channel isolators have the best dynamic performance and provide the fastest interface across the isolation barrier with the widest timing margins.

Key specifications at 3.3V:

- 8.1ns max propagation delay
- 1.0ns max pulse-width distortion
- 1.2ns max channel-to-channel skew
- 130ps<sub>pk</sub> jitter
- 150Mbps max data rate

## LOW-POWER ISOLATORS

The low-power isolators are optimized for the lowest power consumption to reduce heat and conserve the power budget. They support 150Mbps data rates for high-throughput, low-power data acquisition systems.

Key specifications at 3.3V and 1MHz square wave:

- 0.39mA typical current per channel
- 0.62mW of power per channel at 1.8V operation.
- 150Mbps max data rate

## APPLICATION-SPECIFIC ISOLATORS

The application-specific isolators are optimized to deliver the best system-level performance for a given application.

Application Recommendations:

- For isolated bidirectional channels applications, such as I<sup>2</sup>C, refer to the MAX14933 or MAX14937
- For isolated RS-485 applications, refer to MAX12931 and MAX14932
- For isolated SPI applications, refer to MAX14931

## DIGITAL ISOLATOR FEATURED PRODUCT TABLE

Part Number	Data Rate (Mbps)(max)	Configuration	Isolation Rating (kV)	Pin-Package
<b>MAX14130</b>	150	4/0	1	16 QSOP
<b>MAX14131</b>	150	3/1	1	16 QSOP
<b>MAX14930</b>	150	4/0	2.75 to 3.75	16 nSOIC 16 wSOIC
<b>MAX14931</b>	150	3/1	2.75 to 3.75	16 nSOIC 16 wSOIC
<b>MAX14932</b>	150	2/2	2.75	16 nSOIC 16 wSOIC
<b>MAX14934</b>	150	4/0	5	16 wSOIC
<b>MAX14935</b>	150	3/1	5	16 wSOIC
<b>MAX14936</b>	150	2/2	5	16 wSOIC

## RELATED RESOURCES



MAXREFDES62: RS-485 Communications Micro PLC Card



MAXREFDES64: 8-Channel, Digital-Input Micro PLC



MAXREFDES60: 16-Bit Analog Output Micro PLC



MAXREFDES150: Pocket IO PLC Development Platform



MAXREFDES61: 16-Bit Four-Channel Analog Input Micro PLC



Digital Isolators