

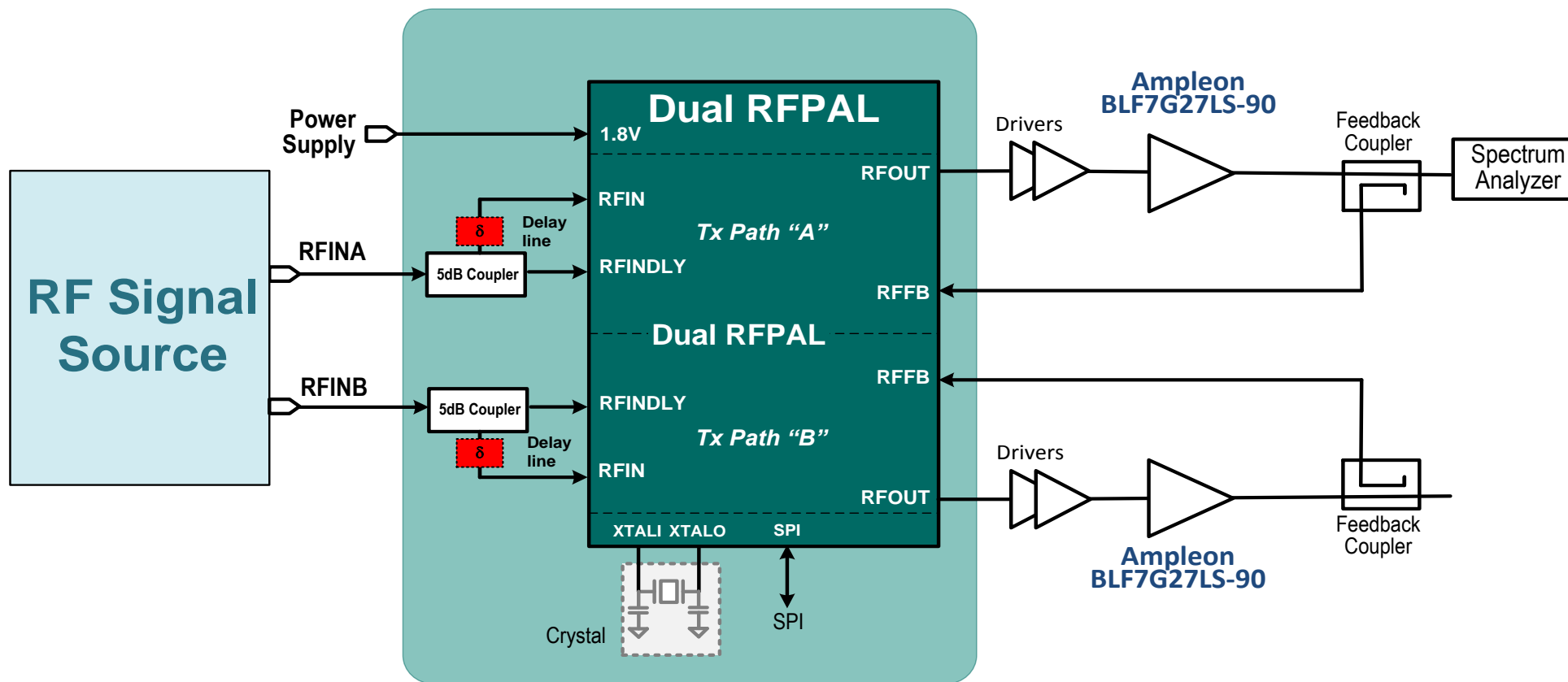
SC2200 Performance results with Ampleon BLF7G27LS-90

Ampleon BLF7G27LS-90 Power Amplifier Data

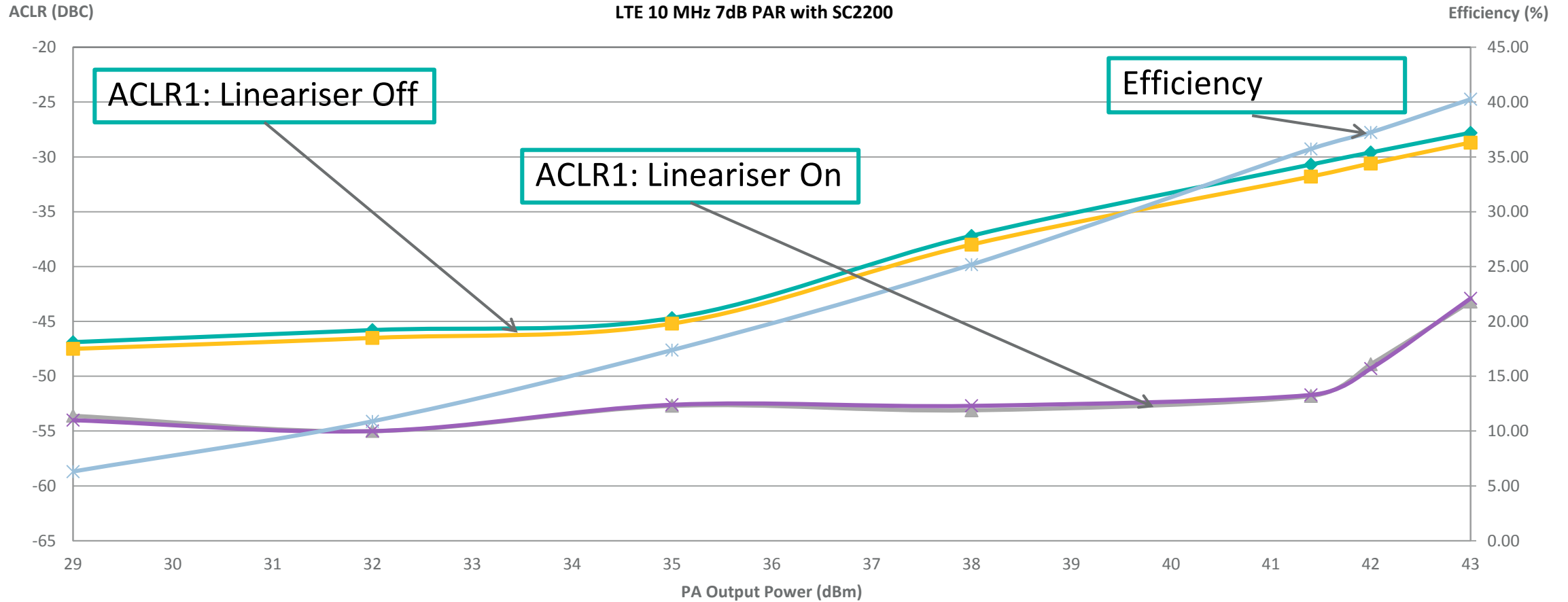
- Amplifier Data
 - > Ampleon BLF7G27LS-90, Doherty, LDMOS
 - > Operating Frequency: 2300-2400 MHz
 - > Frequency tested: 2380 MHz
 - > Gain = $\sim 15\text{dB}$; $P_{\text{sat}} = P_{3\text{dB}} = \sim 50.1\text{dBm}$
 - > $V_{\text{dd}}=28\text{V}$
- Performance Summary with -50dBc at 2380 MHz

	Output Power (dBm) @-50dBc ACLR	PAE (%)	PAR (dB)
10 MHz LTE	41.5	36	7
20 MHz LTE	40	32	7

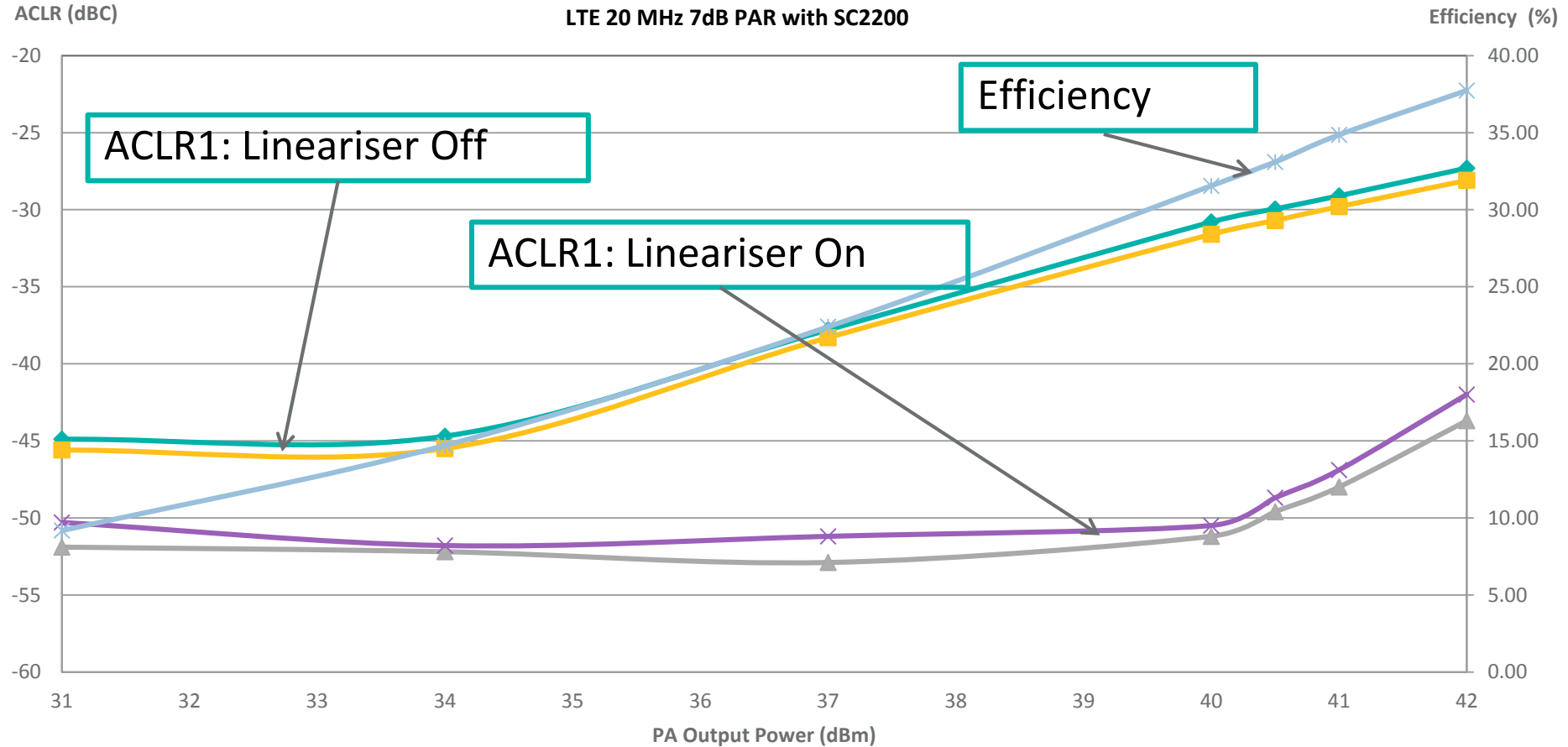
Test Set-up with SC2200 with Ampleon BLFG27LS-90



LTE10MHz: 41.5dBm out; 36% efficiency



LTE20MHz: 40dBm out; 32% efficiency





maxim
integrated™