

File E211395  
Project 10CA39154

October 28, 2010

REPORT

On

Component - Protectors, Low-voltage Solid-state Overcurrent

MAXIM INTEGRATED PRODUCTS  
SUNNYVALE, CA

Copyright © 2010 Underwriters Laboratories Inc.

Underwriters Laboratories Inc. authorizes the above named company to reproduce this Report provided it is in its entirety.

Underwriters Laboratories Inc. authorizes the above named company to reproduce the latest pages of that portion of this Report consisting of this Cover Page through Page 4.

## DESCRIPTION

## PRODUCT COVERED:

\*Component - Low voltage solid-state overcurrent protectors, Model MAX4772 and MAX4773 Series **which** may be followed by **a combination of symbols, letters and/or numbers.**

## GENERAL:

These devices are power distribution switches which limit the output current to a safe level when the output lead exceeds the current-limit threshold or a short is present. These devices are intended to be used on the secondary side of an isolating transformer or battery (maximum power levels of 250 VA) to provide a means of supplementary protection.

## ELECTRICAL RATINGS:

Model Nos.	Input Voltage Range, V dc	Number of Outputs	Continuous Output Rating, A	Protective Current Rating, A +
*MAX4772	2.0-4.5	1	0.45 A	0.8 A
*MAX4773	2.0-4.5	1		

+ (Eng Note: This is the max current the device can interrupt)

## Environmental Ratings

Model	Operating Temperature (°C)	Shipping and Storage Temp (°C)
*MAX4772	-40 to 85°C	-30 to 70°C
*MAX4773	-40 to 85°C	-30 to 70°C

## TECHNICAL CONSIDERATIONS (NOT FOR FIELD REPRESENTATIVE'S USE):

For use only in (or with) complete equipment where the acceptability of the combination is determined by Underwriters Laboratories Inc.

## Conditions of Acceptability -

1. These devices are integrated circuits and electrical spacings within the device are not specified.
2. These devices are entirely electronic in nature and have no means for manual operation or reset.
3. The terminals of these devices are for factory wiring only and are intended to be mounted on printed wiring board.
4. These devices have only been evaluated for supplementary overcurrent protection of secondary circuits supplied by the load side of a transformer or battery, and have not been evaluated for branch-circuit protection.
5. These devices have been subjected to environmental conditionings with respect to the following conditions (per UL 2367):  
Shipping and Storage: -30 to 70°C  
Thermal Cycling: 0 - +49°C
6. These devices have been investigated as electronic overcurrent protective devices in accordance with the requirements contained in UL2367 - The Standard for Solid State Overcurrent Protectors. As a result, use is permitted only on the load-side of an isolating transformer, power supply or battery with maximum levels limited as follows:

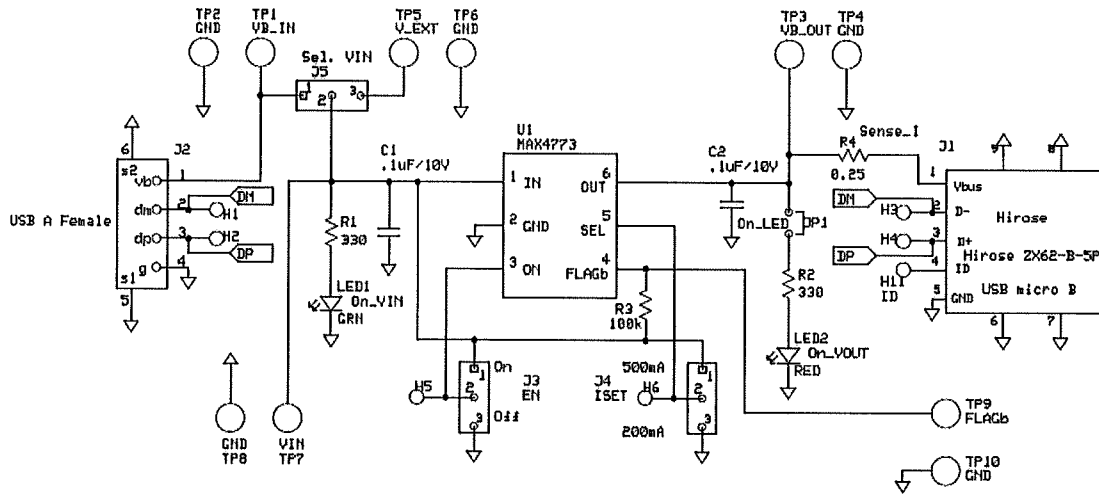
Output Voltage ( $V_{oc}$ )		Output Current ( $I_{sc}$ )	VA
$V_{ac}$	$V_{dc}$	A	(V×A)
$\leq 20$	$\leq 20$	$\leq 1000 / V_{oc}$	$\leq 250$
$20 < V_{oc} \leq 30$	$20 < V_{oc} \leq 30$	$\leq 1000 / V_{oc}$	$\leq 250$
-	$30 < V_{oc} \leq 60$	$\leq 1000 / V_{oc}$	$\leq 250$

Use on secondary supply circuits with a higher power capability requires additional evaluation for reliability, such as are contained in the Standard for Safety-Related Controls Employing Solid-State Controls, UL 991.

7. These devices limit currents to values less than the overcurrent protection rating of 5 amperes.


and Report

- 8. These devices have not been subjected Tests for Telecom applications and their suitability for connection to telecommunication networks with outside plant connections should be determined in the end-use.
- 9. These devices were evaluated with respect to continuous current operation at the current levels shown in the electrical ratings section of this report.
- 10. These devices were tested in the circuit shown below:



## CONSTRUCTION DETAILS:

## MARKING:

The Recognized Company, trade name, or trademark, catalog number, and Recognized Component Mark  on the smallest package or reel.

Electrical ratings, including voltage range, maximum continuous current, protective current and operating temperatures shall be provided on the manufacturer's device specific datasheet. The datasheet may be web-based provided it is publicly accessible on the internet.

## ADDITIONAL CONSTRUCTION DETAILS:

Refer to the following Ills. For overall view and dimensional information:

Model Nos.	Ill. No.	Comments
*MAX4772 and MAX4773	1	Pin Layout and Package